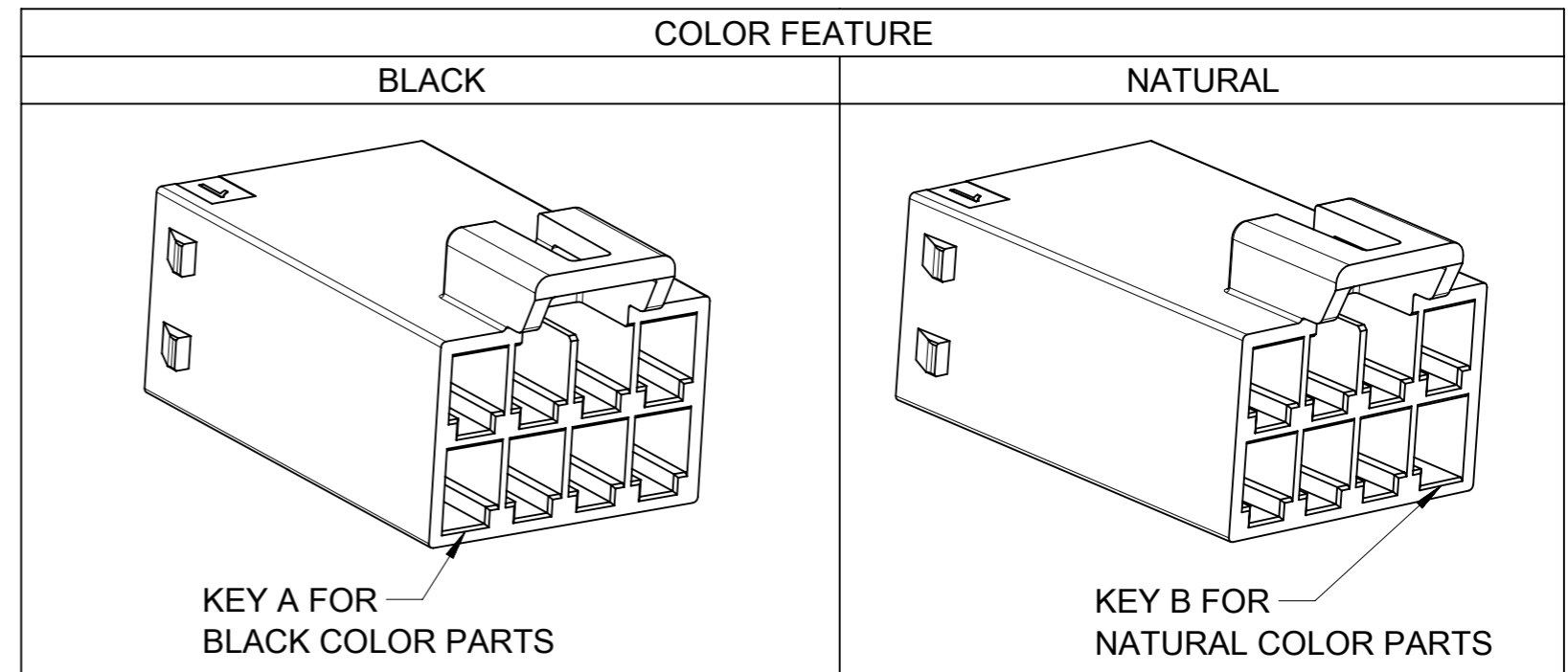
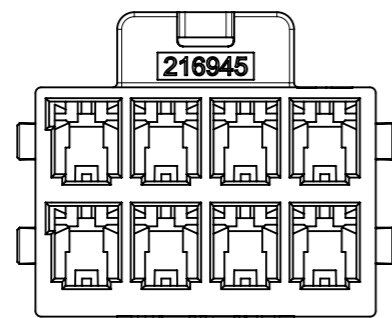
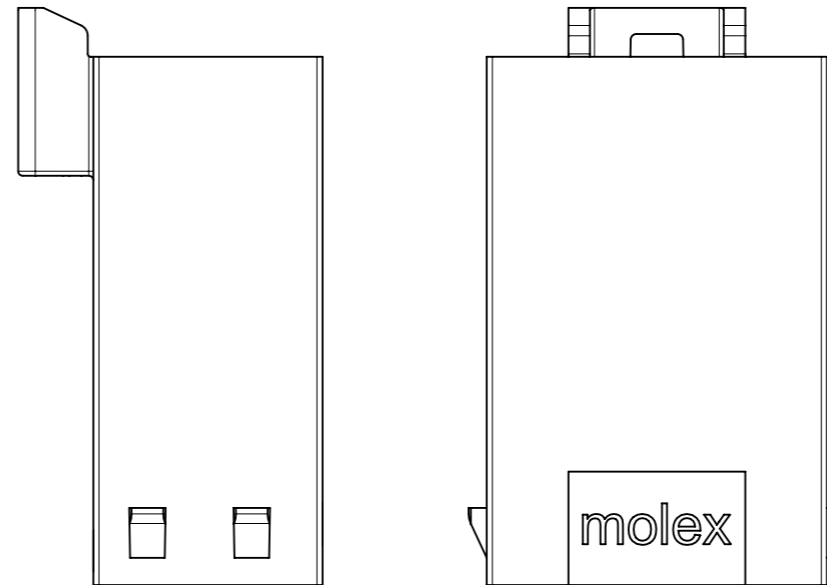
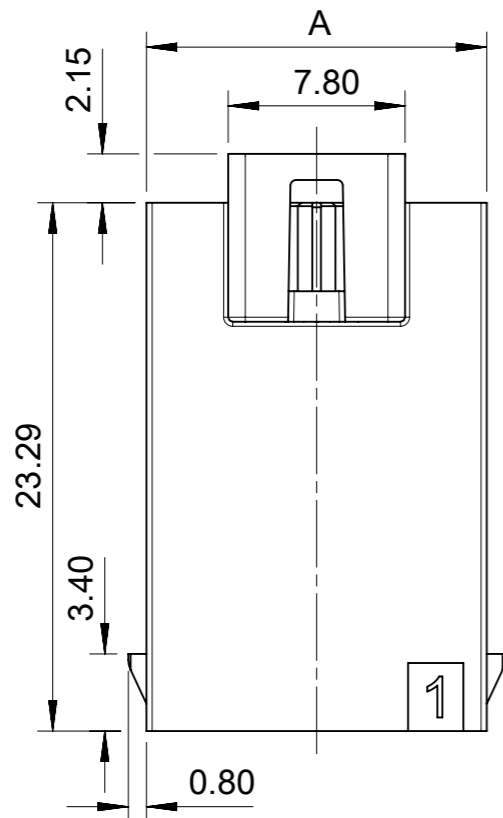


# FREE HANGING PLUG PARTS

PART NUMBER	CIRCUIT SIZE	DIM 'A'	COLOR	TYPE
216945-3004	4	8.0	BLACK	FREE HANGING
216945-3006	6	11.5		
216945-3008	8	15.0		
216945-3010	10	18.5		
216945-3012	12	22.0		
216945-3014	14	25.5		
216945-3016	16	29.0	NATURAL	
216945-4004	4	8.0		
216945-4006	6	11.5		
216945-4008	8	15.0		
216945-4010	10	18.5		
216945-4012	12	22.0		
216945-4014	14	25.5		
216945-4016	16	29.0		

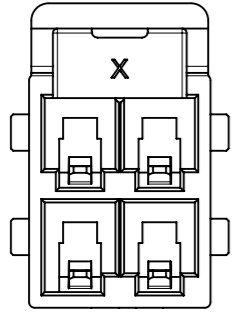


**NOTES:**

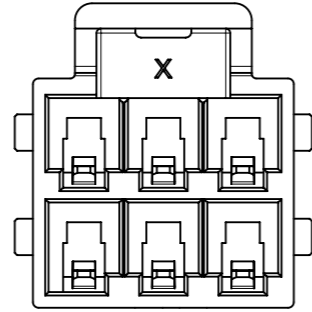
1. MATERIAL: PA66, 94V-0, BLACK AND NATURAL.
2. PRODUCT SPECIFICATION: 2169461000-PS.
3. PACKAGE SPECIFICATION: 2169451000-PK.
4. TO USE WITH TERMINAL OF 216946-\*\*\*\*.
5. TO USE WITH TPA OF 172264-\*\*\*\*.
6. TO MATE WITH RECEPTACLE OF 172258-\*\*\*\*.
7. PARTS CONFORM TO CLASS 'B' REQUIREMENTS OF COSMETIC SPECIFICATION PS-45499-002.

THIS DRAWING CONTAINS INFORMATION THAT IS PROPRIETARY TO MOLEX ELECTRONIC TECHNOLOGIES, LLC AND SHOULD NOT BE USED WITHOUT WRITTEN PERMISSION		CURRENT REV DESC:			
DIMENSION UNITS	SCALE	EC NO: 726545			
mm	NTS	DRWN: LEOW 2022/10/31		PLUG HOUSING OF ULTRA-FIT WTW DR POWER CONNECTOR	
GENERAL TOLERANCES (UNLESS SPECIFIED)		CHK'D: EDUGGER 2022/11/01		PRODUCT CUSTOMER DRAWING	
ANGULAR TOL ± °		APPR: EDUGGER 2022/11/01		DOCUMENT NUMBER	
4 PLACES ±		INITIAL REVISION:		2169451000-SD	
3 PLACES ±		DRWN: GLLI 2021/07/06		DOC TYPE	
2 PLACES ± 0.2		APPR: EDUGGER 2022/11/01		PSD	
1 PLACE ±		SERIES		000	
0 PLACES ±		216945		A	
DRAFT WHERE APPLICABLE MUST REMAIN WITHIN DIMENSIONS		THIRD ANGLE PROJECTION	DRAWING	MATERIAL NUMBER	CUSTOMER
			A3-SIZE	SEE TABLE	GENERAL MARKET
				SHEET NUMBER	1 OF 6

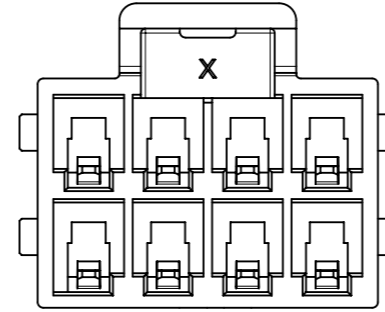
# FREE HANGING PLUG PARTS



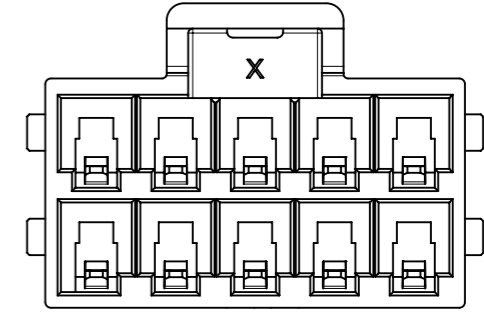
4CKT



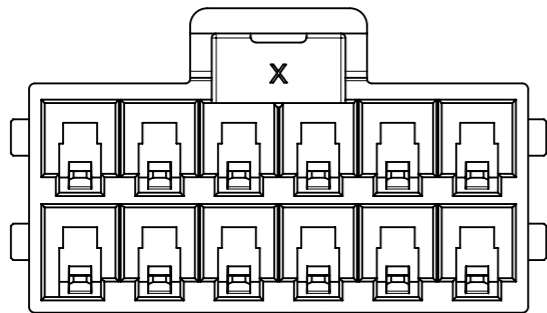
6CKT



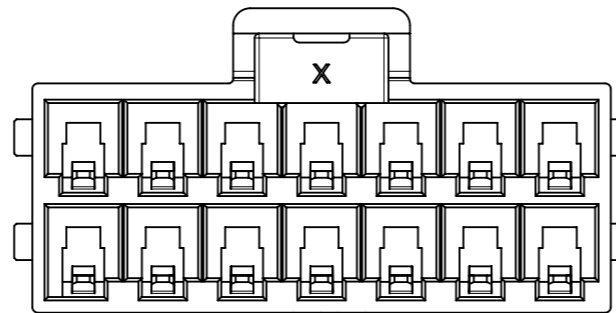
8CKT



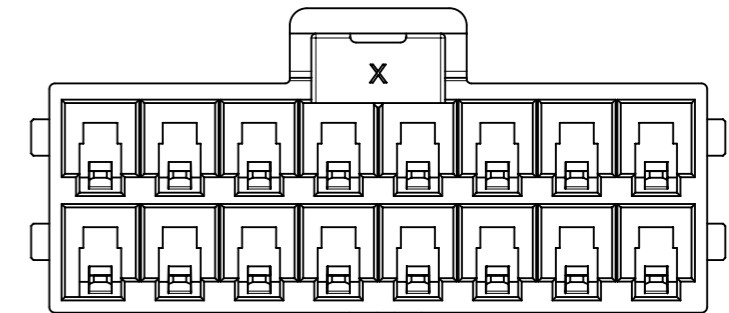
10CKT



12CKT



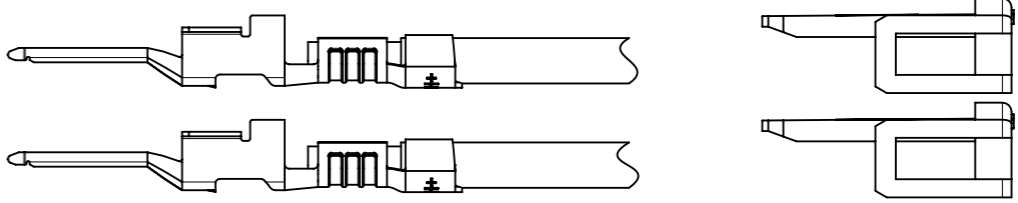
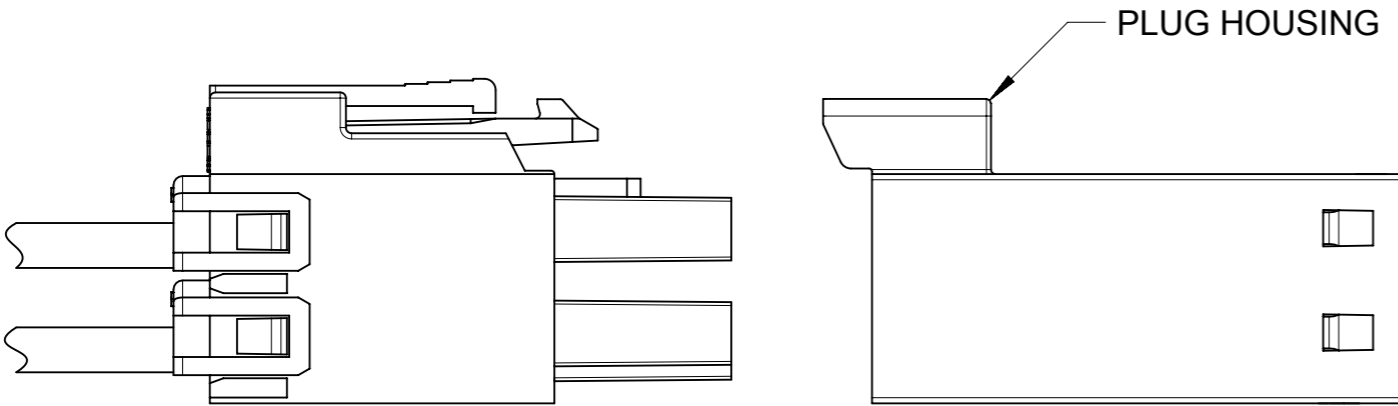
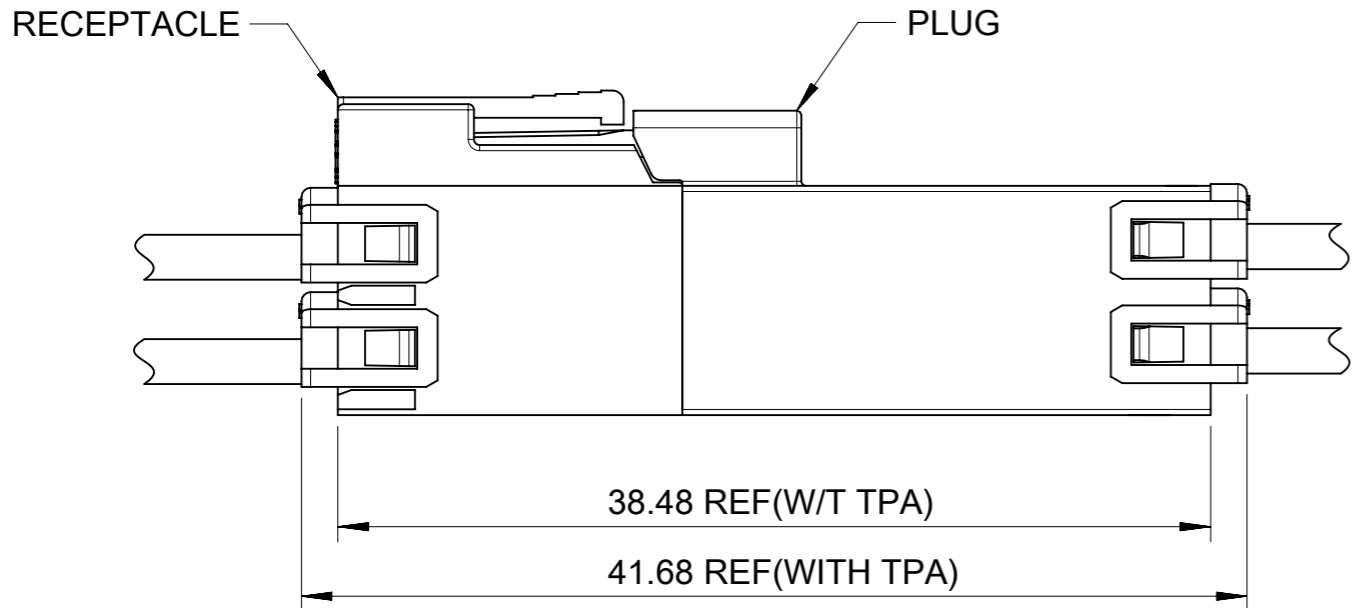
14CKT



16CKT

THIS DRAWING CONTAINS INFORMATION THAT IS PROPRIETARY TO MOLEX ELECTRONIC TECHNOLOGIES, LLC AND SHOULD NOT BE USED WITHOUT WRITTEN PERMISSION									
DIMENSION UNITS		SCALE		CURRENT REV DESC:				<b>molex</b>	
mm		NTS							
GENERAL TOLERANCES (UNLESS SPECIFIED)				EC NO: 726545				PLUG HOUSING OF ULTRA-FIT WTW DR	
ANGULAR TOL ± °				DRWN: LEOW 2022/10/31				POWER CONNECTOR	
4 PLACES ±				CHK'D: EDUGGER 2022/11/01				PRODUCT CUSTOMER DRAWING	
3 PLACES ±				APPR: EDUGGER 2022/11/01				DOCUMENT NUMBER	
2 PLACES ± 0.2				INITIAL REVISION:				2169451000-SD	
1 PLACE ±				DRWN: GLLI 2021/07/06				DOC TYPE	
0 PLACES ±				APPR: EDUGGER 2022/11/01				PSD	
DRAFT WHERE APPLICABLE MUST REMAIN WITHIN DIMENSIONS				THIRD ANGLE PROJECTION		DRAWING		DOC PART	
				A3-SIZE		SERIES		REVISION	
				216945		MATERIAL NUMBER		000 A	
				SEE TABLE		CUSTOMER		SHEET NUMBER	
				GENERAL MARKET				2 OF 6	

# FREE HANGING PLUG PARTS

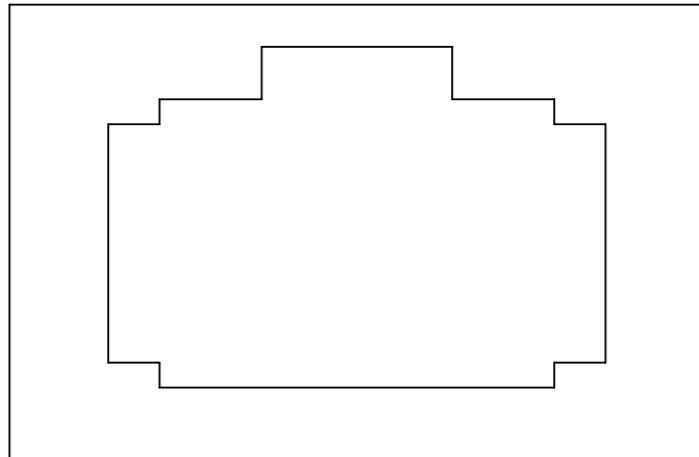
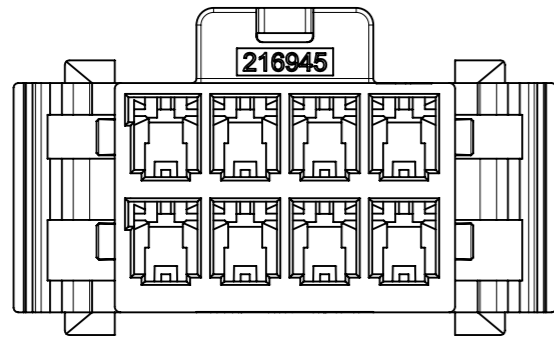
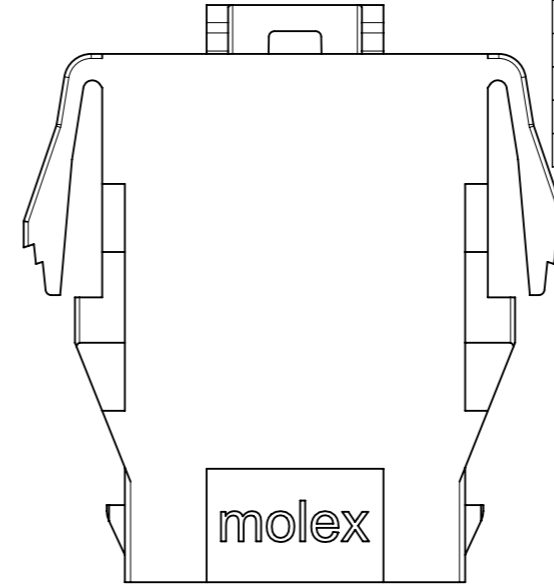
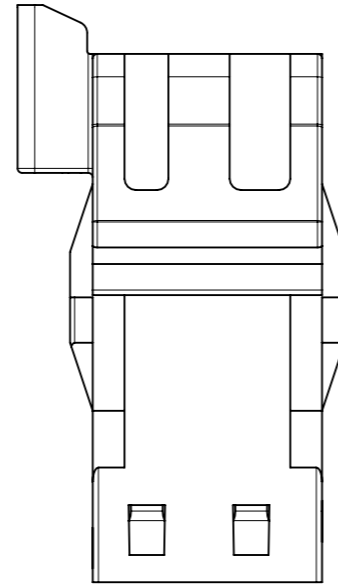
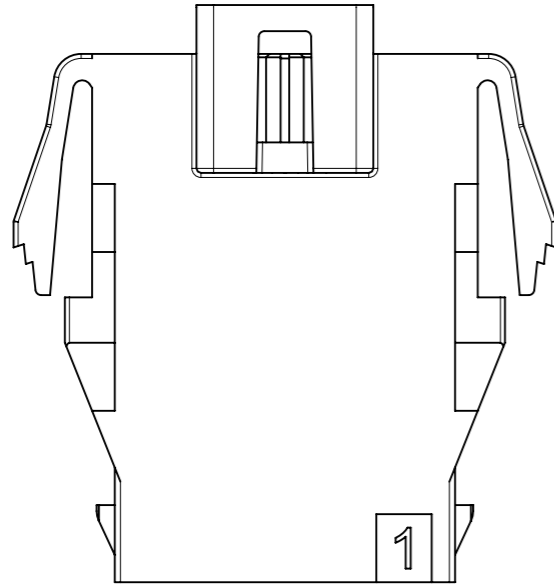


PLUG TERMINAL AND TPA ORIENTATION

THIS DRAWING CONTAINS INFORMATION THAT IS PROPRIETARY TO MOLEX ELECTRONIC TECHNOLOGIES, LLC AND SHOULD NOT BE USED WITHOUT WRITTEN PERMISSION									
DIMENSION UNITS		SCALE		CURRENT REV DESC:				<b>molex</b>	
mm		NTS							
GENERAL TOLERANCES (UNLESS SPECIFIED)				EC NO: 726545				PLUG HOUSING OF ULTRA-FIT WTW DR POWER CONNECTOR	
ANGULAR TOL ± °				DRWN: LEOW 2022/10/31				PRODUCT CUSTOMER DRAWING	
4 PLACES ±				CHK'D: EDUGGER 2022/11/01				DOCUMENT NUMBER	
3 PLACES ±				APPR: EDUGGER 2022/11/01				2169451000-SD	
2 PLACES ± 0.2				INITIAL REVISION:				DOC TYPE	
1 PLACE ±				DRWN: GLLI 2021/07/06				PSD	
0 PLACES ±				APPR: EDUGGER 2022/11/01				DOC PART	
DRAFT WHERE APPLICABLE MUST REMAIN WITHIN DIMENSIONS				THIRD ANGLE PROJECTION		DRAWING		REVISION	
				A3-SIZE		SERIES		A	
				216945		MATERIAL NUMBER		SHEET NUMBER	
				SEE TABLE		CUSTOMER		3 OF 6	
				GENERAL MARKET					

# PANEL MOUNT PLUG PARTS

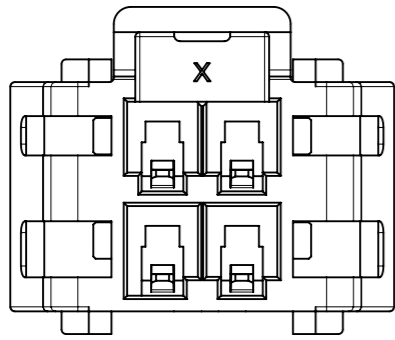
PART NUMBER	CIRCUIT SIZE	DIM 'A'	DIM 'B'	COLOR	TYPE
216945-3104	4	8.0	16.92	BLACK	PANEL MOUNT
216945-3106	6	11.5	20.42		
216945-3108	8	15.0	23.92		
216945-3110	10	18.5	27.42		
216945-3112	12	22.0	30.92		
216945-3114	14	25.5	34.42		
216945-3116	16	29.0	37.92		
216945-4104	4	8.0	16.92	NATURAL	
216945-4106	6	11.5	20.42		
216945-4108	8	15.0	23.92		
216945-4110	10	18.5	27.42		
216945-4112	12	22.0	30.92		
216945-4114	14	25.5	34.42		
216945-4116	16	29.0	37.92		



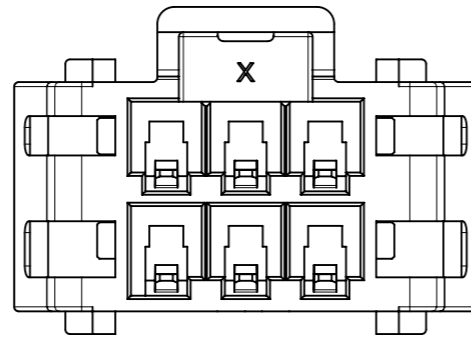
COLOR FEATURE	
BLACK	NATURAL
<p>KEY A FOR BLACK COLOR PARTS</p>	<p>KEY B FOR NATURAL COLOR PARTS</p>

THIS DRAWING CONTAINS INFORMATION THAT IS PROPRIETARY TO MOLEX ELECTRONIC TECHNOLOGIES, LLC AND SHOULD NOT BE USED WITHOUT WRITTEN PERMISSION									
DIMENSION UNITS	SCALE	CURRENT REV DESC:							
mm	NTS								
GENERAL TOLERANCES (UNLESS SPECIFIED)		EC NO: 726545			PLUG HOUSING OF ULTRA-FIT WTW DR POWER CONNECTOR				
ANGULAR TOL	± °	DRWN: LEOW 2022/10/31			PRODUCT CUSTOMER DRAWING				
4 PLACES	±	CHK'D: EDUGGER 2022/11/01			DOCUMENT NUMBER				
3 PLACES	±	APPR: EDUGGER 2022/11/01			2169451000-SD				
2 PLACES	± 0.2	INITIAL REVISION:			DOC TYPE				
1 PLACE	±	DRWN: GLLI 2021/07/06			PSD				
0 PLACES	±	APPR: EDUGGER 2022/11/01			DOC PART				
DRAFT WHERE APPLICABLE MUST REMAIN WITHIN DIMENSIONS		THIRD ANGLE PROJECTION	DRAWING	SERIES	MATERIAL NUMBER	CUSTOMER	REVISION		
			A3-SIZE	216945	SEE TABLE	GENERAL MARKET	000	A	
							SHEET NUMBER		
							4 OF 6		

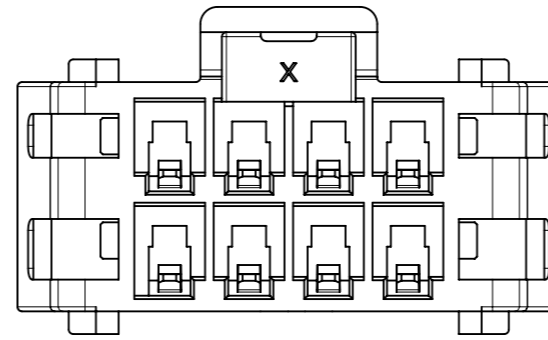
# PANEL MOUNT PLUG PARTS



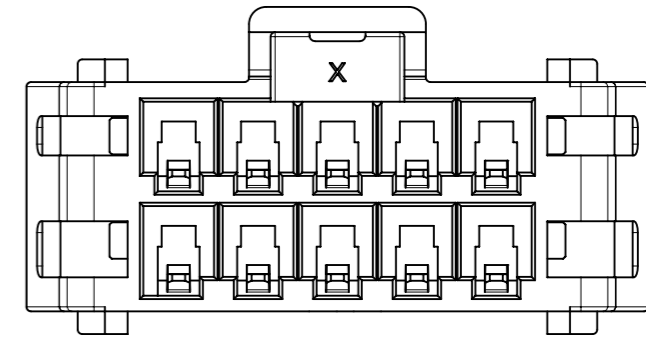
4 CKT



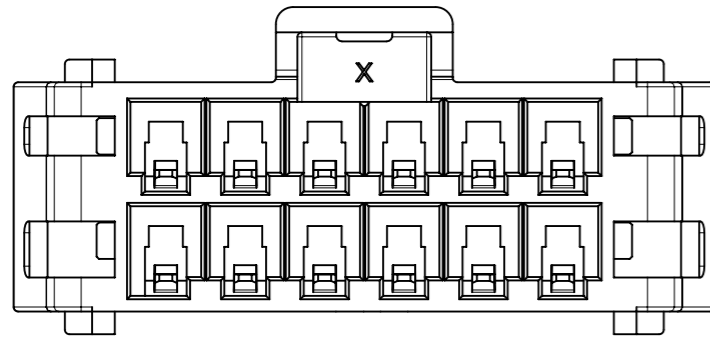
6 CKT



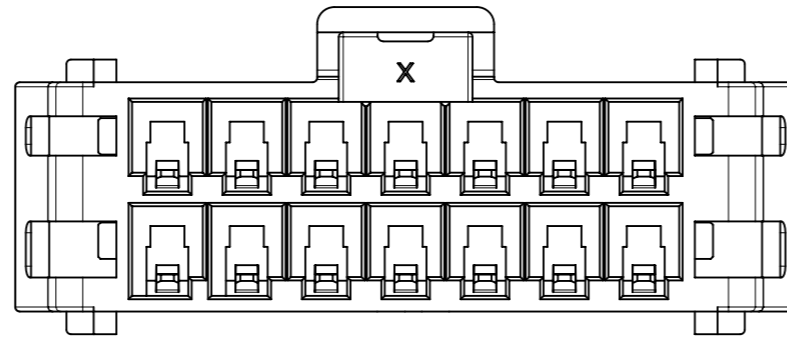
8 CKT



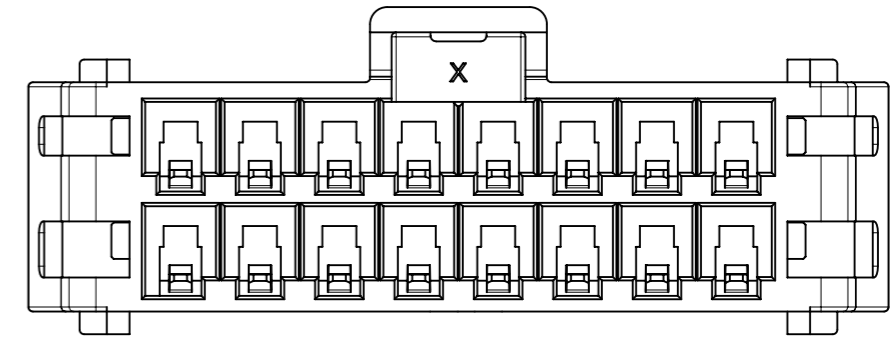
10 CKT



12 CKT



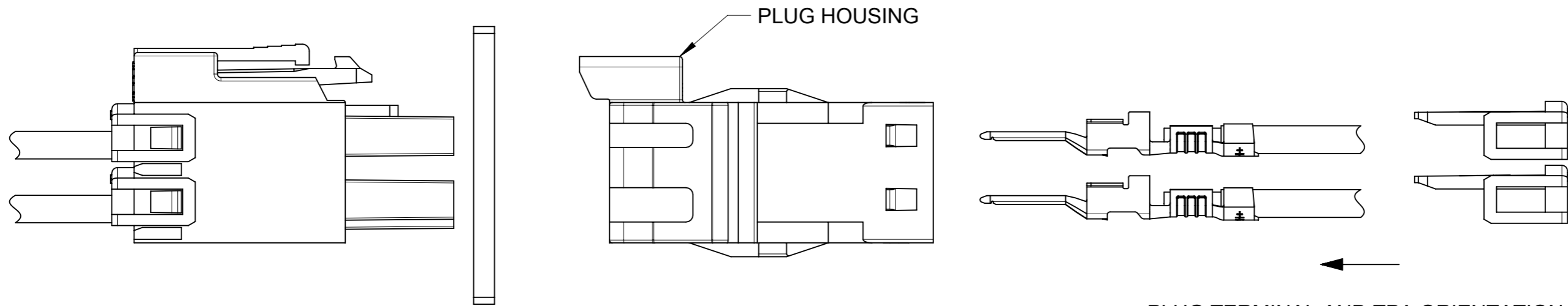
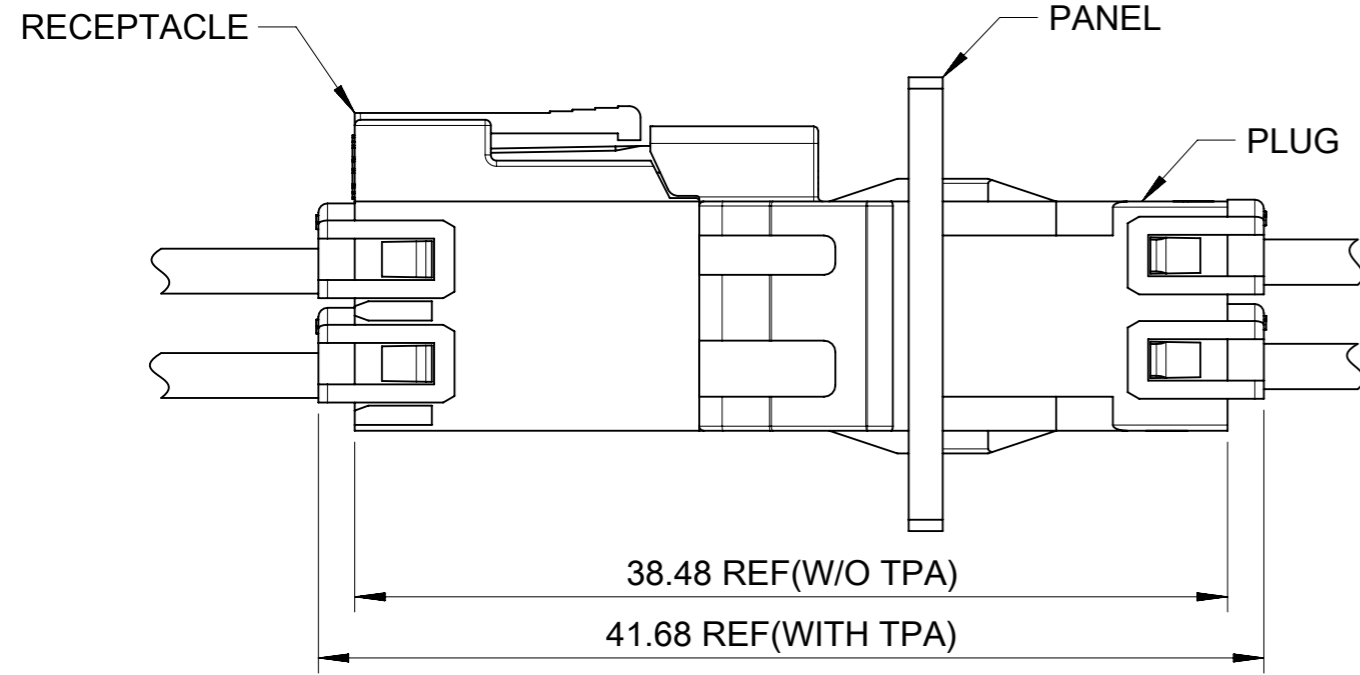
14 CKT



16 CKT

THIS DRAWING CONTAINS INFORMATION THAT IS PROPRIETARY TO MOLEX ELECTRONIC TECHNOLOGIES, LLC AND SHOULD NOT BE USED WITHOUT WRITTEN PERMISSION															
DIMENSION UNITS		SCALE		CURRENT REV DESC:											
mm		NTS		<p><b>molex</b></p> <p>PLUG HOUSING OF ULTRA-FIT WTW DR POWER CONNECTOR</p> <p>PRODUCT CUSTOMER DRAWING</p>											
GENERAL TOLERANCES (UNLESS SPECIFIED)															
ANGULAR TOL ± °															
4 PLACES ±		3 PLACES ±								2 PLACES ± 0.2		1 PLACE ±		0 PLACES ±	
DRAFT WHERE APPLICABLE MUST REMAIN WITHIN DIMENSIONS		THIRD ANGLE PROJECTION								DRAWING		SERIES		MATERIAL NUMBER	
P1		RELEASE DATE		2022/11/01		13:33:31		2169451000-SD							
DOCUMENT STATUS		P1		RELEASE DATE		2022/11/01		13:33:31							
EC NO: 726545		DRWN: LEOW		2022/10/31		CHK'D: EDUGGER		2022/11/01							
APPR: EDUGGER		2022/11/01		INITIAL REVISION:		DRWN: GLLI		2021/07/06							
APPR: EDUGGER		2022/11/01		APPR: EDUGGER		2022/11/01		DOCUMENT NUMBER							
A3-SIZE		216945		SEE TABLE		GENERAL MARKET		SHEET NUMBER							
5 OF 6		5 OF 6		5 OF 6		5 OF 6		5 OF 6							

# PANEL MOUNT PLUG PARTS



THIS DRAWING CONTAINS INFORMATION THAT IS PROPRIETARY TO MOLEX ELECTRONIC TECHNOLOGIES, LLC AND SHOULD NOT BE USED WITHOUT WRITTEN PERMISSION									
DIMENSION UNITS		SCALE		CURRENT REV DESC:				<b>molex</b>	
mm		NTS							
GENERAL TOLERANCES (UNLESS SPECIFIED)				EC NO: 726545				PLUG HOUSING OF ULTRA-FIT WTW DR POWER CONNECTOR	
ANGULAR TOL ± °				DRWN: LEOW 2022/10/31				PRODUCT CUSTOMER DRAWING	
4 PLACES ±				CHK'D: EDUGGER 2022/11/01				DOCUMENT NUMBER	
3 PLACES ±				APPR: EDUGGER 2022/11/01				2169451000-SD	
2 PLACES ± 0.2				INITIAL REVISION:				DOC TYPE	
1 PLACE ±				DRWN: GLLI 2021/07/06				PSD	
0 PLACES ±				APPR: EDUGGER 2022/11/01				DOC PART	
DRAFT WHERE APPLICABLE MUST REMAIN WITHIN DIMENSIONS				THIRD ANGLE PROJECTION		DRAWING		REVISION	
				A3-SIZE		SERIES		SHEET NUMBER	
						MATERIAL NUMBER		GENERAL MARKET	
						CUSTOMER		6 OF 6	