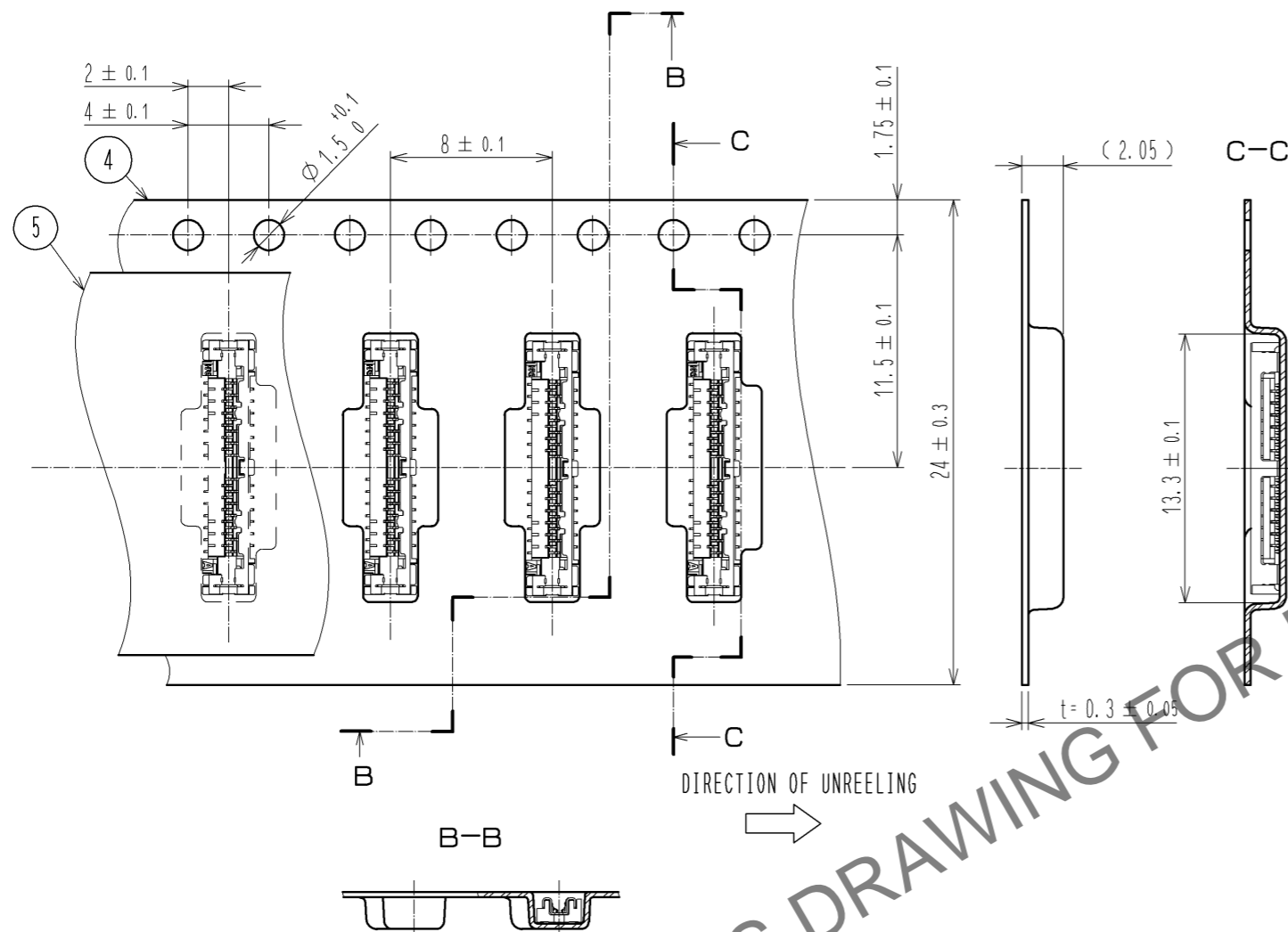
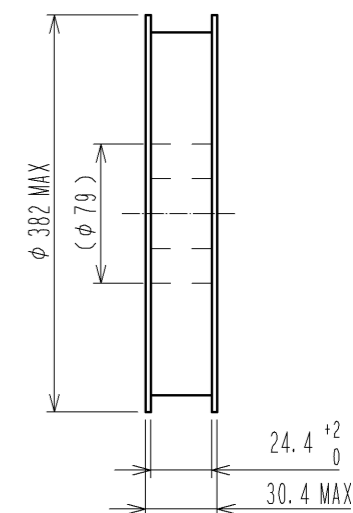
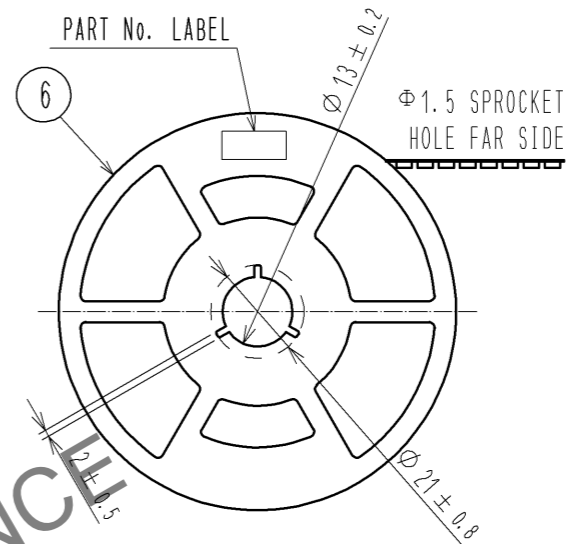


May.1.2026 Copyright 2026 HIROSE ELECTRIC CO., LTD. All Rights Reserved.
 In case of consideration for using Automotive equipment / device which demand high reliability, kindly contact our sales window correspondents.



4 STYLE AND DIMENSION OF REEL(FREE)



DETAIL OF PART No. LABEL

生産月日	年月日
図番	CL662-5603-9-51
品名	DF56C-26S-0.3V(51)
納入数量	5000個
納入者	ヒロセ電機株式会社

SUPPLIER

QUANTITY

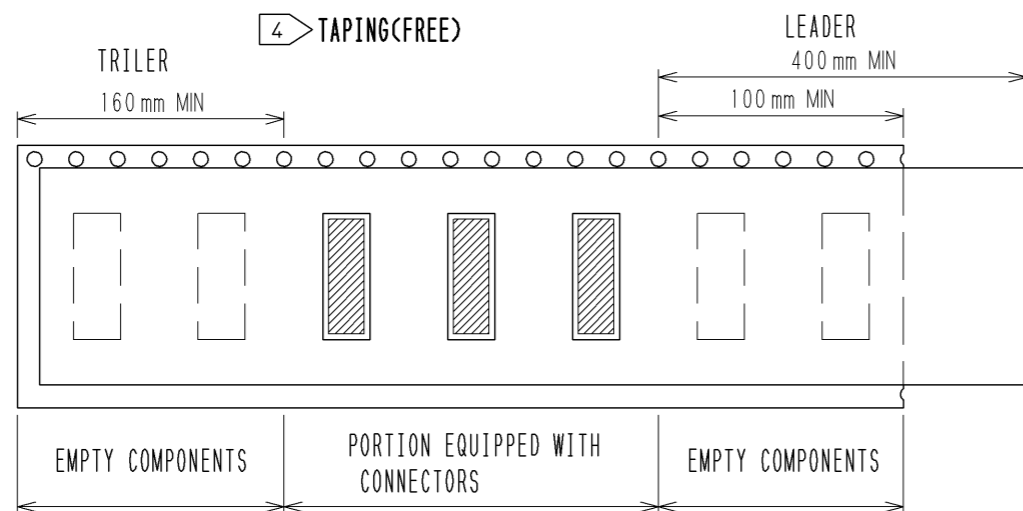
PART No.

CODE No.

DATE OF MANUFACTURED

HRS DRAWING FOR REFERENCE

4 TAPING(FREE)



図番:	EDC3-329549-01
製品名:	DF56C-26S-0.3V(51)
製品コード:	CL662-5603-9-51

2/2