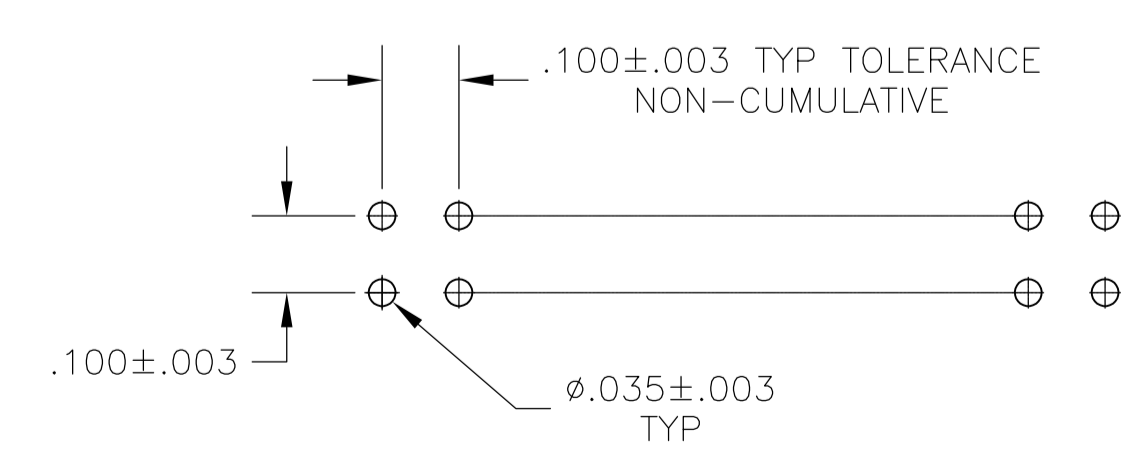
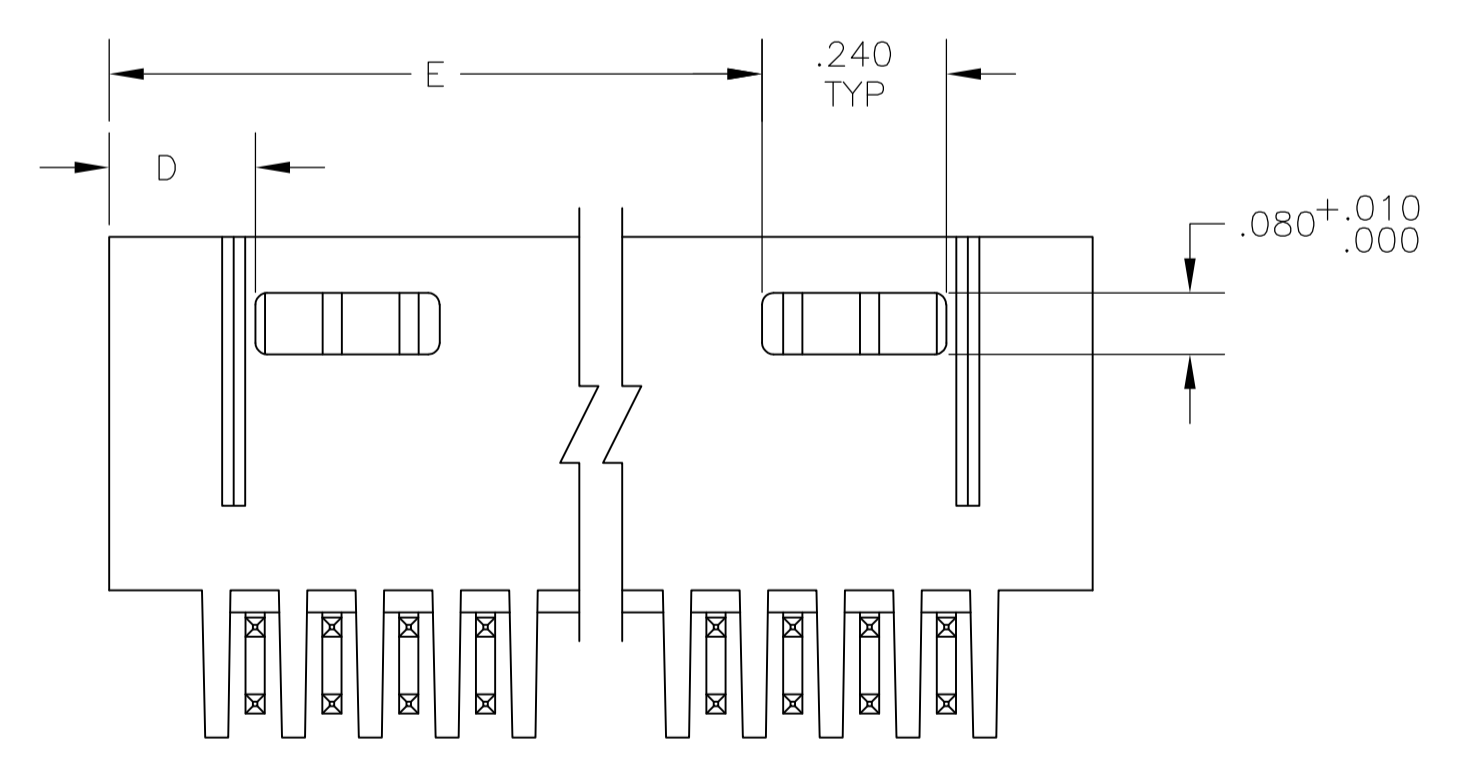
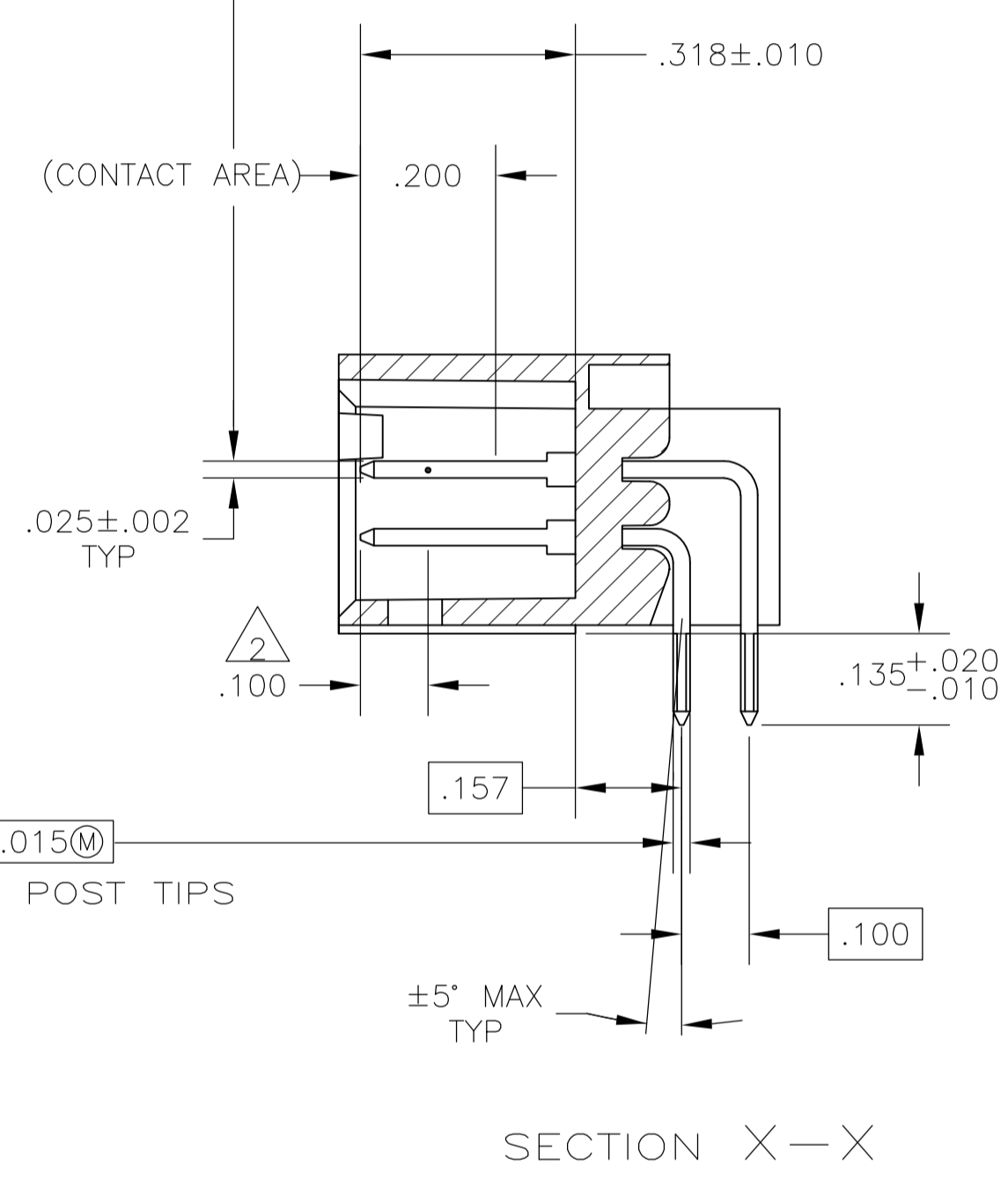
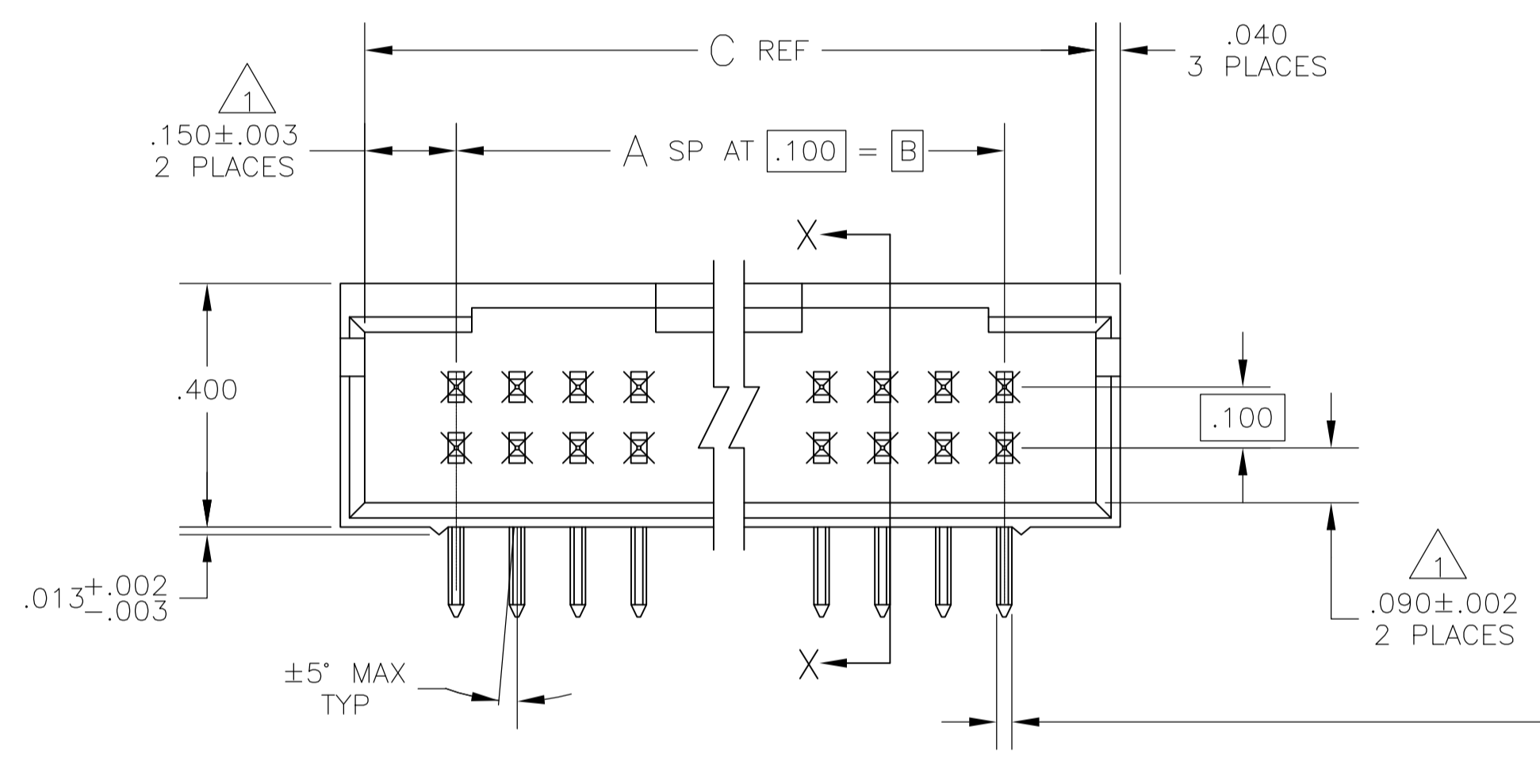
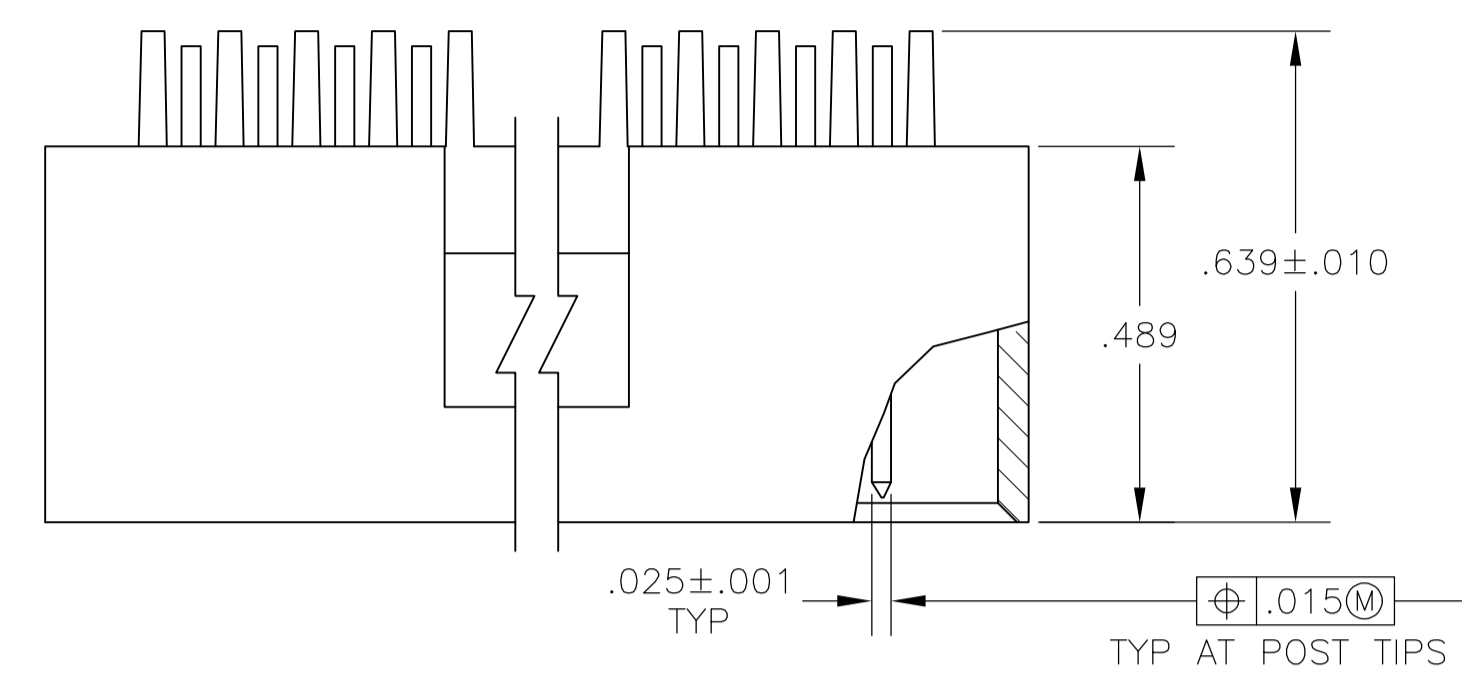


LOC		DIST		REVISIONS				
AD	00	P	LTR	DESCRIPTION	DATE	DMN	APVD	
		N4	REVISED	PER ECO-12-008028	27APR12	KH	MM	

- 1 THE NOTED DIMENSION APPLIES AT THE INTERSECTION OF THE POST AND HOUSING
- 2 POINT OF MEASUREMENT FOR PLATING THICKNESS.
- 3 POSTS: .000030 GOLD IN CONTACT AREA .000100-.000200 MATTE TIN LEAD ON SOLDER TAIL, ALL OVER .000050 NICKEL
- 4 POSTS: .000030 GOLD IN CONTACT AREA .000100-.000200 MATTE TIN ON SOLDER TAIL, ALL OVER .000050 NICKEL
- 5 OBSOLETE PARTS: OBSOLETE CIS STREAMLINING PER D.RENAUD/D.SINISI



REV	DESCRIPTION	DATE	DMN	APVD	PLATING	E	D	C	B	A	NO OF POSN	ASSEMBLY PART NUMBER
5	OBSOLETE											
4	OBSOLETE											
3	OBSOLETE											
2	OBSOLETE											
1	OBSOLETE											
0	OBSOLETE											
3	OBSOLETE											
2	OBSOLETE											
1	OBSOLETE											
0	OBSOLETE											
3	OBSOLETE											
2	OBSOLETE											
1	OBSOLETE											
0	OBSOLETE											
3	OBSOLETE											
2	OBSOLETE											
1	OBSOLETE											
0	OBSOLETE											
3	OBSOLETE											
2	OBSOLETE											
1	OBSOLETE											
0	OBSOLETE											
3	OBSOLETE											
2	OBSOLETE											
1	OBSOLETE											
0	OBSOLETE											
3	OBSOLETE											
2	OBSOLETE											
1	OBSOLETE											
0	OBSOLETE											
3	OBSOLETE											
2	OBSOLETE											
1	OBSOLETE											
0	OBSOLETE											
3	OBSOLETE											
2	OBSOLETE											
1	OBSOLETE											
0	OBSOLETE											
3	OBSOLETE											
2	OBSOLETE											
1	OBSOLETE											
0	OBSOLETE											
3	OBSOLETE											
2	OBSOLETE											
1	OBSOLETE											
0	OBSOLETE											
3	OBSOLETE											
2	OBSOLETE											
1	OBSOLETE											
0	OBSOLETE											
3	OBSOLETE											
2	OBSOLETE											
1	OBSOLETE											
0	OBSOLETE											
3	OBSOLETE											
2	OBSOLETE											
1	OBSOLETE											
0	OBSOLETE											
3	OBSOLETE											
2	OBSOLETE											
1	OBSOLETE											
0	OBSOLETE											
3	OBSOLETE											
2	OBSOLETE											
1	OBSOLETE											
0	OBSOLETE											
3	OBSOLETE											
2	OBSOLETE											
1	OBSOLETE											
0	OBSOLETE											
3	OBSOLETE											
2	OBSOLETE											
1	OBSOLETE											
0	OBSOLETE											
3	OBSOLETE											
2	OBSOLETE											
1	OBSOLETE											
0	OBSOLETE											
3	OBSOLETE											
2	OBSOLETE											
1	OBSOLETE											
0	OBSOLETE											
3	OBSOLETE											
2	OBSOLETE											
1	OBSOLETE											
0	OBSOLETE											
3	OBSOLETE											
2	OBSOLETE											
1	OBSOLETE											
0	OBSOLETE											
3	OBSOLETE											
2	OBSOLETE											
1	OBSOLETE											
0	OBSOLETE											
3	OBSOLETE											
2	OBSOLETE											
1	OBSOLETE											
0	OBSOLETE											
3	OBSOLETE											
2	OBSOLETE											
1	OBSOLETE											
0	OBSOLETE											
3	OBSOLETE											
2	OBSOLETE											
1	OBSOLETE											
0	OBSOLETE											
3	OBSOLETE											
2	OBSOLETE											
1	OBSOLETE											
0	OBSOLETE											
3	OBSOLETE											
2	OBSOLETE											
1	OBSOLETE											
0	OBSOLETE											
3	OBSOLETE											
2	OBSOLETE											
1	OBSOLETE											
0	OBSOLETE											
3	OBSOLETE											
2	OBSOLETE											
1	OBSOLETE											
0	OBSOLETE											
3	OBSOLETE											
2	OBSOLETE											
1	OBSOLETE											
0	OBSOLETE											
3	OBSOLETE											
2	OBSOLETE											
1	OBSOLETE											
0	OBSOLETE											
3	OBSOLETE											
2	OBSOLETE											
1	OBSOLETE											
0	OBSOLETE											
3	OBSOLETE											
2	OBSOLETE											
1	OBSOLETE											
0	OBSOLETE											
3	OBSOLETE											
2	OBSOLETE											
1	OBSOLETE											
0	OBSOLETE											
3	OBSOLETE											
2	OBSOLETE											
1	OBSOLETE											
0	OBSOLETE											
3	OBSOLETE											
2	OBSOLETE											
1	OBSOLETE											
0	OBSOLETE											
3	OBSOLETE											
2	OBSOLETE											
1	OBSOLETE											
0	OBSOLETE											
3	OBSOLETE											
2	OBSOLETE											
1	OBSOLETE											
0	OBSOLETE											
3	OBSOLETE											
2	OBSOLETE											
1	OBSOLETE											
0	OBSOLETE											
3	OBSOLETE											
2	OBSOLETE											
1	OBSOLETE											
0	OBSOLETE											
3	OBSOLETE											
2	OBSOLETE											
1	OBSOLETE											
0	OBSOLETE											
3	OBSOLETE											
2	OBSOLETE											
1	OBSOLETE											
0	OBSOLETE											
3	OBSOLETE											
2	OBSOLETE											
1	OBSOLETE											
0	OBSOLETE											
3	OBSOLETE					</						