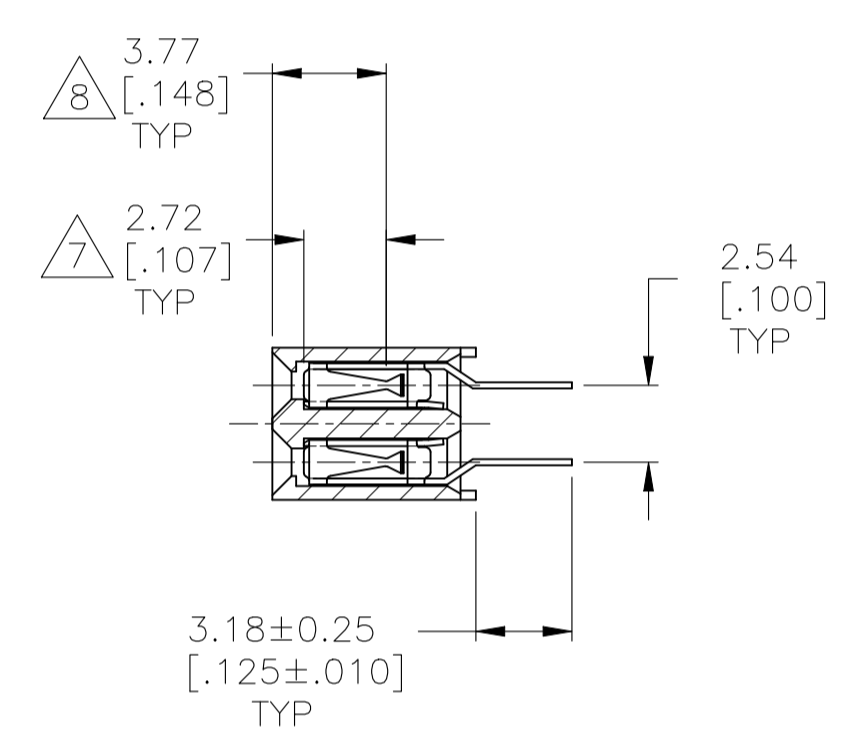
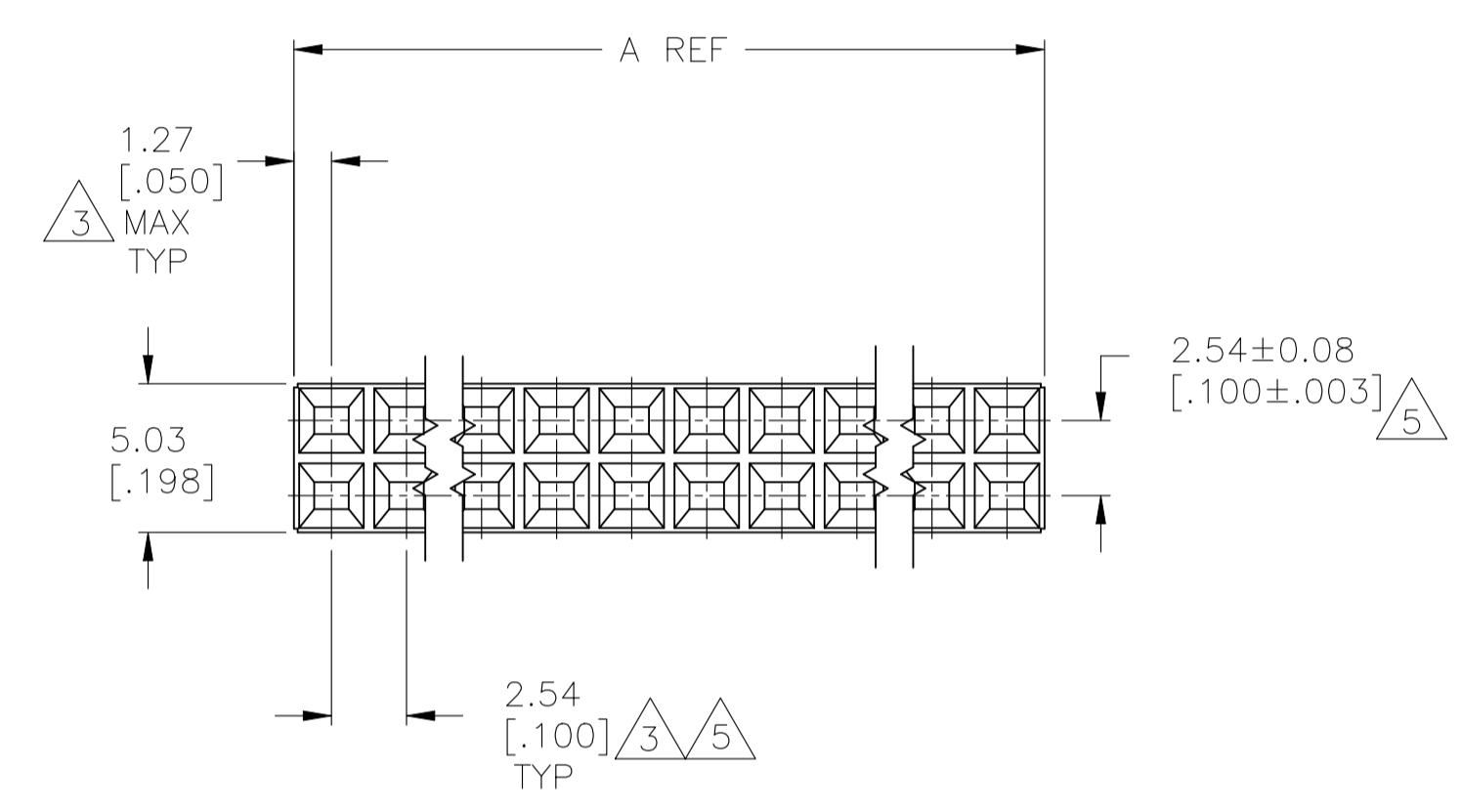
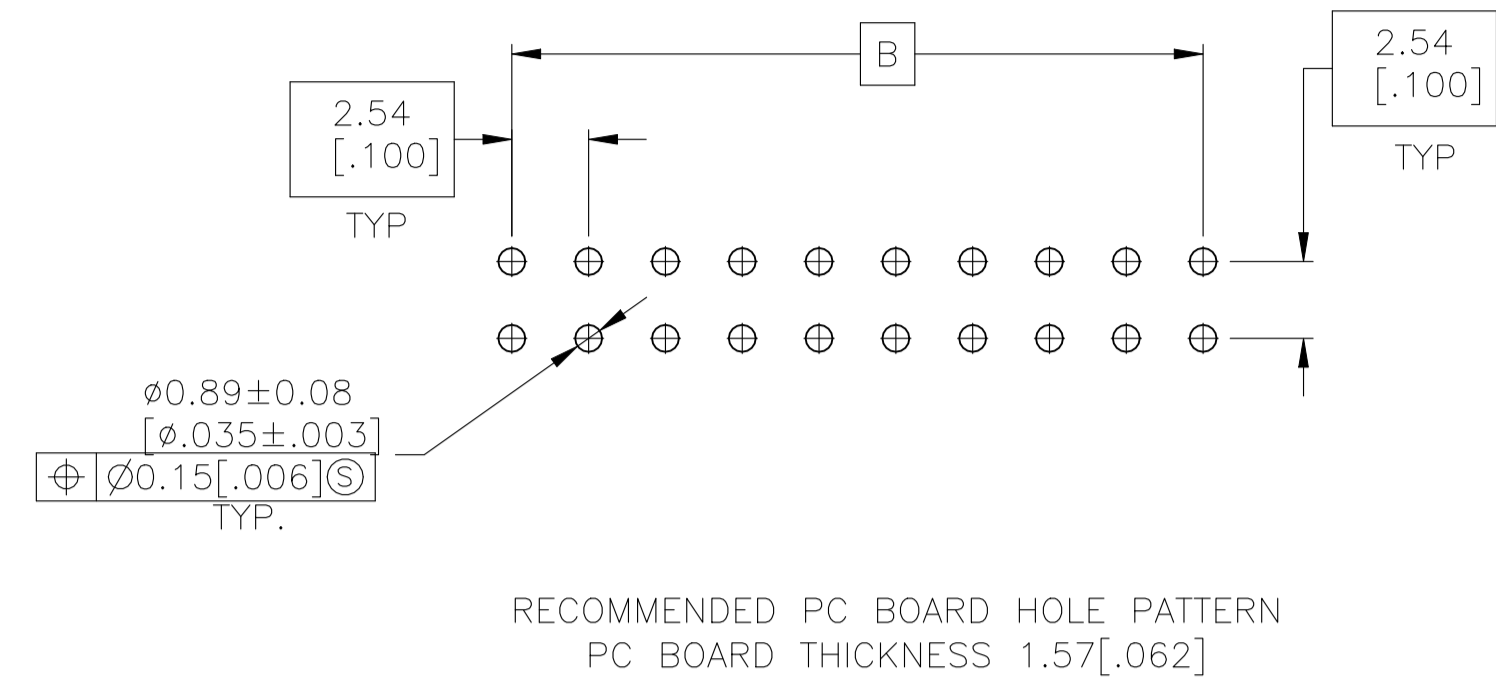
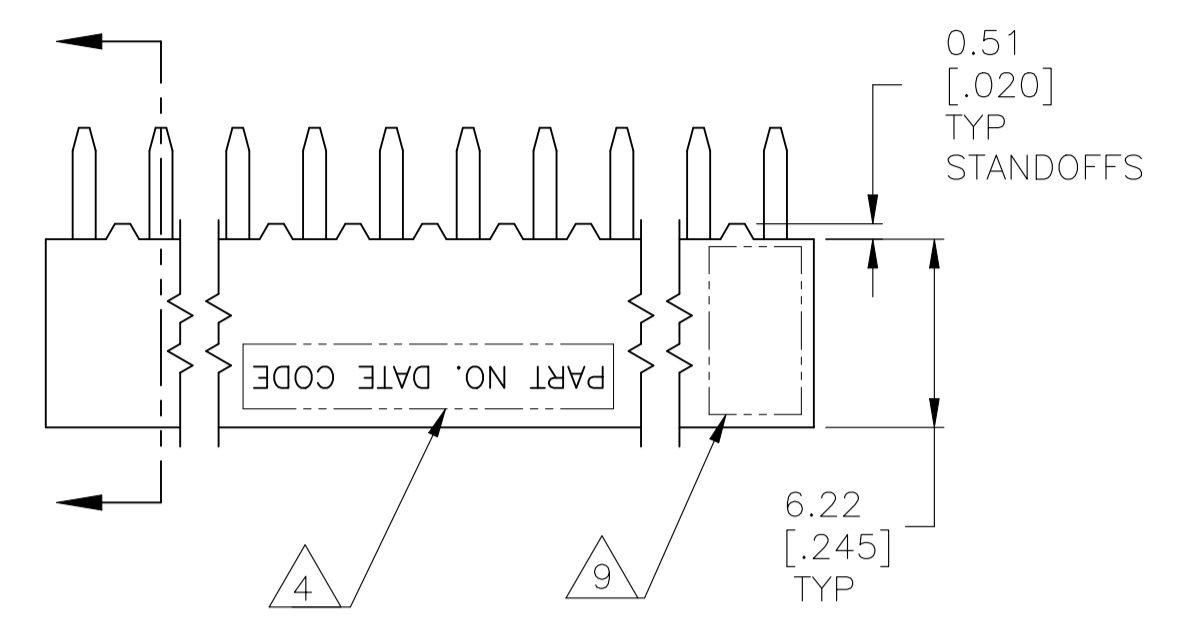


REVISIONS				
REV	DESCRIPTION	DATE	BY	APP'D
R	HOUSING RESIN CHANGED	27OCT2021	SCB	KJK

SEE SHEET 2
FOR P/N'S -51 THRU -90



REV	DESCRIPTION	DATE	BY	APP'D	B	A	NO OF POSN	PART NUMBER
2					88.90 [3.500]	91.44 [3.600]	72	3-534998-6
2					86.36 [3.400]	88.90 [3.500]	70	3-534998-5
2	SUPERCEDED BY 8-534998-4				83.82 [3.300]	86.36 [3.400]	68	3-534998-4
2					81.28 [3.200]	83.82 [3.300]	66	3-534998-3
2					78.74 [3.100]	81.28 [3.200]	64	3-534998-2
2					76.20 [3.000]	78.74 [3.100]	62	3-534998-1
2					73.66 [2.900]	76.20 [3.000]	60	3-534998-0
2					71.12 [2.800]	73.66 [2.900]	58	2-534998-9
2					68.58 [2.700]	71.12 [2.800]	56	2-534998-8
2					66.04 [2.600]	68.58 [2.700]	54	2-534998-7
2	SUPERCEDED BY 7-534998-6				63.50 [2.500]	66.04 [2.600]	52	2-534998-6
2					60.96 [2.400]	63.50 [2.500]	50	2-534998-5
2					58.42 [2.300]	60.96 [2.400]	48	2-534998-4
2					55.88 [2.200]	58.42 [2.300]	46	2-534998-3
2					53.34 [2.100]	55.88 [2.200]	44	2-534998-2
2					50.80 [2.000]	53.34 [2.100]	42	2-534998-1
2					48.26 [1.900]	50.80 [2.000]	40	2-534998-0
2					45.72 [1.800]	48.26 [1.900]	38	1-534998-9
2					43.18 [1.700]	45.72 [1.800]	36	1-534998-8
2					40.64 [1.600]	43.18 [1.700]	34	1-534998-7
2					38.10 [1.500]	40.64 [1.600]	32	1-534998-6
2					35.56 [1.400]	38.10 [1.500]	30	1-534998-5
2					33.02 [1.300]	35.56 [1.400]	28	1-534998-4
2					30.48 [1.200]	33.02 [1.300]	26	1-534998-3
2					27.94 [1.100]	30.48 [1.200]	24	1-534998-2
2					25.40 [1.000]	27.94 [1.100]	22	1-534998-1
2					22.86 [.900]	25.40 [1.000]	20	1-534998-0
2					20.32 [.800]	22.86 [.900]	18	534998-9
2					17.78 [.700]	20.32 [.800]	16	534998-8
2					15.24 [1.000]	17.78 [1.000]	14	534998-7
2					12.70 [1.000]	15.24 [1.000]	12	534998-6
2					10.16 [1.000]	12.70 [1.000]	10	534998-5
2					7.62 [1.000]	10.16 [1.000]	8	534998-4
2					5.08 [1.000]	7.62 [1.000]	6	534998-3
2					2.54 [1.000]	5.08 [1.000]	4	534998-2
2					-	2.54 [1.000]	2	534998-1

REV	DESCRIPTION	B	A	NO OF POSN	PART NUMBER
2	SUPERCEDED BY 9-534998-0	99.06 [3.900]	101.60 [4.000]	80	4-534998-0
2		96.52 [3.800]	99.06 [3.900]	78	3-534998-9
2		93.98 [3.700]	96.52 [3.800]	76	3-534998-8
2		91.44 [3.600]	93.98 [3.700]	74	3-534998-7

- 1 HOUSING: FLAME RETARDANT, GLASS FILLED, THERMOPLASTIC, COLOR: BLACK. CONTACT: PHOSPHOR BRONZE
- 2 CONTACT: DUPLEX PLATED 0.76µm[.000030] GOLD IN CONTACT AREA, 3.81-7.62µm[.000150-.000300] BRIGHT TIN-LEAD ON LEADS, ALL OVER 1.27µm[.000050] NICKEL
- 3 THESE DIMENSIONS PERTAIN TO CAVITY CENTERLINES ONLY - NOT TO CONTACT LOCATIONS
- 4 PART NUMBER AND DATE CODE ARE MARKED IN APPROXIMATE LOCATION SHOWN, EITHER SIDE.
- 5 TOLERANCE IS NON-CUMULATIVE.
- 6 2 POSITION DATE CODE IS MARKED OPPOSITE SIDE OF TE CONNECTIVITY LOGO.
- 7 POINT-OF-MEASUREMENT DIMENSION FOR PLATING THICKNESS (INSIDE CONTACT BEAM).
- 8 POINT-OF-CONTACT DIMENSION.
- 9 TE CONNECTIVITY TRADEMARK AND CSA LOGO ARE MOLDED INTO HOUSING, THIS LOCATION.
- 10 NO PART NUMBER MARKING REQUIRED FOR THIS PART.
- 11 CONTACT: DUPLEX PLATED 0.76µm[.000030] GOLD IN CONTACT AREA, 3.81-7.62µm[.000150-.000300] MATTE TIN ON LEADS, ALL OVER 1.27µm[.000050] NICKEL
- 12 ROHS 2002/95/EC COMPLIANT

THIS DRAWING IS A CONTROLLED DOCUMENT.

DIMENSIONS: mm [INCHES]	TOLERANCES UNLESS OTHERWISE SPECIFIED:	DIN M. BINNER 06NOV02	TE Connectivity Ltd.
0. PLC ± -	1. PLC ± -	CHK J. JOLSON 06NOV02	RECEPTACLE ASSEMBLY, MOD IV, DOUBLE ROW, DUAL ENTRY, .100X.100CL, VERTICAL MOUNT, AMPMODU
2. PLC ± ± 0.13[.005]	3. PLC ± -	APVD J. JOLSON 06NOV02	PRODUCT SPEC 108-25022
4. PLC ± -	ANGLES ± -	NAME	APPLICATION SPEC 114-25018
MATERIAL 1	FINISH 2	SIZE CAGE CODE DRAWING NO	RESTRICTED TO
		WEIGHT -	A1 00779 534998
		CUSTOMER DRAWING	SCALE 4:1 SHEET 1 OF 2 REV R

REVISIONS				
REV	DATE	DESCRIPTION	BY	APPV
-	-	SEE SHEET 1	-	-

REV	DATE	DESCRIPTION	BY	APPV
1	88.90	91.44	72	8-534998-6
2	[3.500]	[3.600]		
3	86.36	88.90	70	8-534998-5
4	[3.400]	[3.500]		
5	83.82	86.36	68	8-534998-4
6	[3.300]	[3.400]		
7	81.28	83.82	66	8-534998-3
8	[3.200]	[3.300]		
9	78.74	81.28	64	8-534998-2
10	[3.100]	[3.200]		
11	76.20	78.74	62	8-534998-1
12	[3.000]	[3.100]		
13	73.66	76.20	60	8-534998-0
14	[2.900]	[3.000]		
15	71.12	73.66	58	7-534998-9
16	[2.800]	[2.900]		
17	68.58	71.12	56	7-534998-8
18	[2.700]	[2.800]		
19	66.04	68.58	54	7-534998-7
20	[2.600]	[2.700]		
21	63.50	66.04	52	7-534998-6
22	[2.500]	[2.600]		
23	60.96	63.50	50	7-534998-5
24	[2.400]	[2.500]		
25	58.42	60.96	48	7-534998-4
26	[2.300]	[2.400]		
27	55.88	58.42	46	7-534998-3
28	[2.200]	[2.300]		
29	53.34	55.88	44	7-534998-2
30	[2.100]	[2.200]		
31	50.80	53.34	42	7-534998-1
32	[2.000]	[2.100]		
33	48.26	50.80	40	7-534998-0
34	[1.900]	[2.000]		
35	45.72	48.26	38	6-534998-9
36	[1.800]	[1.900]		
37	43.18	45.72	36	6-534998-8
38	[1.700]	[1.800]		
39	40.64	43.18	34	6-534998-7
40	[1.600]	[1.700]		
41	38.10	40.64	32	6-534998-6
42	[1.500]	[1.600]		
43	35.56	38.10	30	6-534998-5
44	[1.400]	[1.500]		
45	33.02	35.56	28	6-534998-4
46	[1.300]	[1.400]		
47	30.48	33.02	26	6-534998-3
48	[1.200]	[1.300]		
49	27.94	30.48	24	6-534998-2
50	[1.100]	[1.200]		
51	25.40	27.94	22	6-534998-1
52	[1.000]	[1.100]		
53	22.86	25.40	20	6-534998-0
54	[.900]	[1.000]		
55	20.32	22.86	18	5-534998-9
56	[.800]	[.900]		
57	17.78	20.32	16	5-534998-8
58	[.700]	[.800]		
59	15.24	17.78	14	5-534998-7
60	[.600]	[.700]		
61	12.70	15.24	12	5-534998-6
62	[.500]	[.600]		
63	10.16	12.70	10	5-534998-5
64	[.400]	[.500]		
65	7.62	10.16	8	5-534998-4
66	[.300]	[.400]		
67	5.08	7.62	6	5-534998-3
68	[.200]	[.300]		
69	2.54	5.08	4	5-534998-2
70	[.100]	[.200]		
71	-	2.54	2	5-534998-1
72		[.100]		

1	99.06	101.60	80	9-534998-0
2	[3.900]	[4.000]		
3	96.52	99.06	78	8-534998-9
4	[3.800]	[3.900]		
5	93.98	96.52	76	8-534998-8
6	[3.700]	[3.800]		
7	91.44	93.98	74	8-534998-7
8	[3.600]	[3.700]		
	B	A	NO OF POSN	PART NUMBER

THIS DRAWING IS A CONTROLLED DOCUMENT.

DIMENSIONS: mm [INCHES]	TOLERANCES UNLESS OTHERWISE SPECIFIED: 0. PLC ± - 1. PLC ± - 2. PLC ± 0.13[.005] 3. PLC ± - 4. PLC ± - ANGLES ± -	DIN M. BINNER 06NOV02 CHK J. JOLSON 06NOV02 APVD J. JOLSON 06NOV02	NAME RECEPTACLE ASSEMBLY, MOD IV, DOUBLE ROW, DUAL ENTRY, .100X.100CL, VERTICAL MOUNT, AMPMODU
MATERIAL 1	FINISH 2	SIZE A1 CAGE CODE 00779 DRAWING NO. 534998	RESTRICTED TO
CUSTOMER DRAWING		SCALE 4:1	SHEET 2 OF 2

Mouser Electronics

Authorized Distributor

Click to View Pricing, Inventory, Delivery & Lifecycle Information:

[TE Connectivity:](#)

[1-534998-4](#)