



# **ED-HMI2002-070C**

## Datasheet

by EDA Technology Co., Ltd

built: 2025-12-24

# ED-HMI2002-070C

## 7.0-inch Industrial HMI Based on Raspberry Pi 4

- 7.0" TFT, resolution 1024x600, multi-point capacitive touch screen
- Broadcom BCM2711, quad-core Arm Cortex-A72 (ARM v8) 64-bit SoC @ 1.8GHz
- Up to 8GB LPDDR4 RAM, 32GB or 64GB SD Card storage
- 1 x Gigabit ethernet port, 2 x USB 3.0, 2 x USB 2.0
- Dual 4Kp60 HDMI display output
- 5V DC power input via USB-C
- 8-megapixel front camera is optional
- Aluminum CNC + sheet metal case, fanless design, providing excellent cooling performance
- Embedded installation, compatible with VESA standard bracket installation



## Specifications

System	
CPU	Broadcom BCM2711, quad core Arm Cortex-A72 (ARM v8) 64-bit SoC@1.8GHz
VPU	H.265 (HEVC), up to 4Kp60 decode H.264, up to 1080p60 decode, 1080p30 encode
GPU	OpenGL ES 3.1 & Vulkan 1.0
Memory	Options for 1GB, 2GB, 4GB, 8GB LPDDR4-3200 SDRAM
Storage	32GB and 64GB SD Storage Card are optional

Software	
Operating System	Raspberry Pi OS (Desktop) 32-bit Raspberry Pi OS (Lite) 32-bit Raspberry Pi OS (Desktop) 64-bit Raspberry Pi OS (Lite) 64-bit

Front I/O	
Camera	Built-in 8-megapixel front camera (optional).

Side I/O	
USB 2.0	2 x USB 2.0 ports, dual layer Type-A connector, each channel supports up to 480Mbps.

Side I/O	
USB 3.0	2 x USB 3.0 ports, dual layer Type-A connector, each channel supports up to 5Gbps.
1000M Ethernet	1 x adaptive 10/100/1000M ethernet port, RJ45 connector. It can be used to access the network.
SD Card Slot	1 x Micro SD card slot, which is used to install Micro SD card. It supports booting the OS from Micro SD card.
Audio	1 x Audio port, 3.5mm audio jack connector, 4-pole stereo audio.
HDMI	2 x HDMI ports, Micro HDMI connector, supporting 4K 60Hz.
Power	1 x power in port, USB Type-C connector, supporting 5V/3A DC power input.

LCD	
LCD Size	7.0" TFT
Resolution	1024 x 600
Colors	16.7MB
Active Area	154.21mm (H) x 85.92mm (V)
Backlight	LED
MTBF	>30000h
Luminance	400cd/m <sup>2</sup>
Contrast Ratio	800:1
Response Time	30ms
Viewing Angle (CR≥10)	85° (L) / 85° (R) / 85° (U) / 85° (D)

Touch Screen	
Type	Multi-point Capacitive Touch Screen
Transmittance	≥85%
Connection Method	COF
Controller Interface	I2C
Driver Support	Linux
Multi-touch	10 points
Surface Hardness	6H

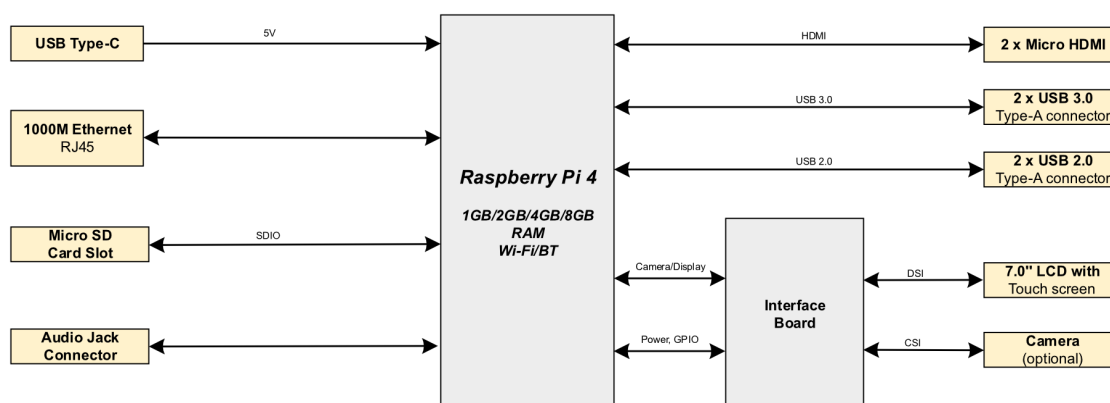
Electrical Characteristics	
Input Voltage	5V DC
Power Consumption	15W (Max)

Mechanical Characteristics	
Dimensions	188mm x 123mm x 39.5mm (WxDxH)
Weight	About 800g
Installation	Embedded front installation

Wireless	
Wi-Fi	Dual-band 802.11ac Wi-Fi
Bluetooth	Bluetooth 5.0 / Bluetooth Low Energy (BLE)

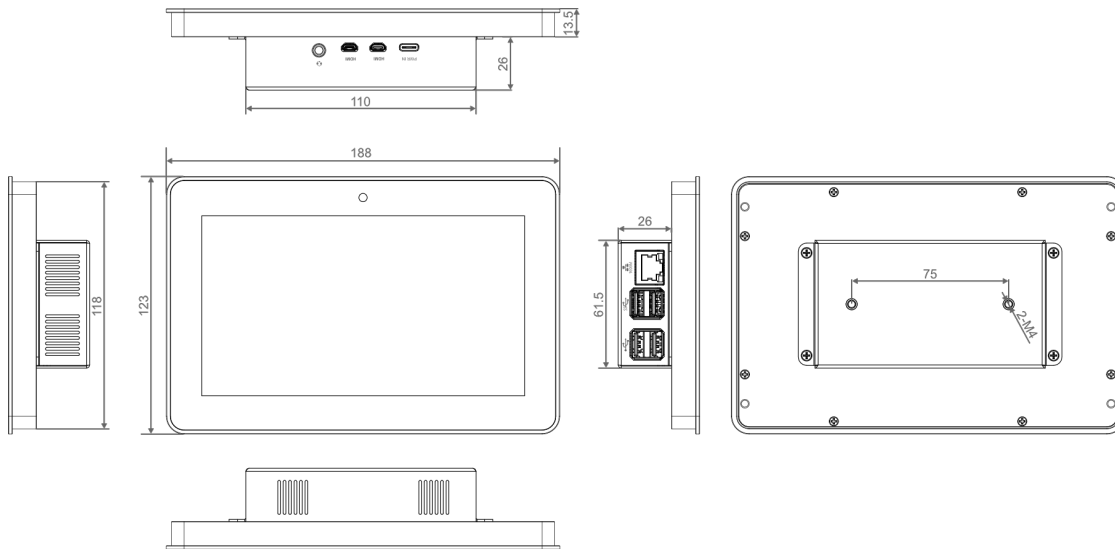
Environmental & Regulatory	
Operating Temperature	-20°C ~ 60°C
Storage Temperature	-25°C ~ 60°C
Ambient humidity	5% ~ 95% (non-condensing)

## System Diagram

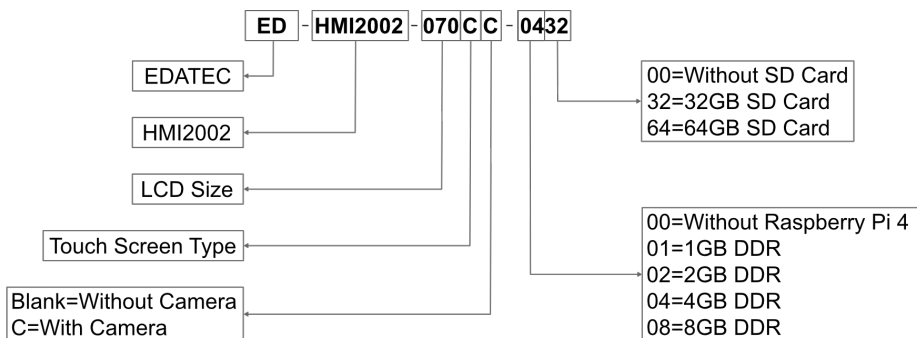


## Dimensions

Unit: mm



## Ordering Code



**Example**  
 P/N: **ED-HMI2002-070CC-0432**  
 Configuration: 7.0-inch Industrial HMI Based on Raspberry Pi 4, with 4GB DDR, Camera and 32GB SD card.

### Special Model Description:

Model	Description
ED-HMI2002-070C-0000	7.0-inch LCD Touch Screen for Raspberry Pi 4, with metal case.
ED-HMI2002-070CC-0032	7.0-inch LCD Touch Screen for Raspberry Pi 4, with metal case, camera and 32GB SD card.

## Optional Accessory

You can also choose HMI Mounting Kit for embedded front installation according to actual needs.

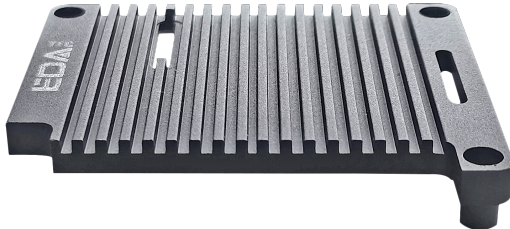
### TIP

Standard Package doesn't include HMI Mounting Kit for embedded front installation. If you need to do an embedded installation, please purchase the HMI Mounting Kit (ED-ACCHMI-Front) separately.


Model	Description	Picture
ED-ACCHMI-Front		

Model	Description	Picture
	HMI Mounting Kit for Front Installation, with 4 x buckles, 4 x M4*10 screws and 4 x M4*16 screws.	

You can choose a passive cooler according to actual needs.

Model	Description	Picture
ED-Pi4PCOOLER	Passive Cooler for Raspberry Pi 4	

You can choose a Raspberry Pi Power Adapter according to actual needs.

Model	Description	Picture
SC0219	Raspberry Pi 15W USB-C Power Supply Black AU	
SC0523	Raspberry Pi 15W USB-C Power Supply White AU	
SC1412	Raspberry Pi 15W USB-C Power Supply Black EU	
SC0753	Raspberry Pi 15W USB-C Power Supply White EU	
SC0479	Raspberry Pi 15W USB-C Power Supply Black IN	
SC0478	Raspberry Pi 15W USB-C Power Supply White IN	
SC0216	Raspberry Pi 15W USB-C Power Supply Black UK	
SC0443	Raspberry Pi 15W USB-C Power Supply White UK	
SC0218	Raspberry Pi 15W USB-C Power Supply Black US	
SC0445	Raspberry Pi 15W USB-C Power Supply White US	

## Packing List

- 1 x ED-HMI2002-070C Unit