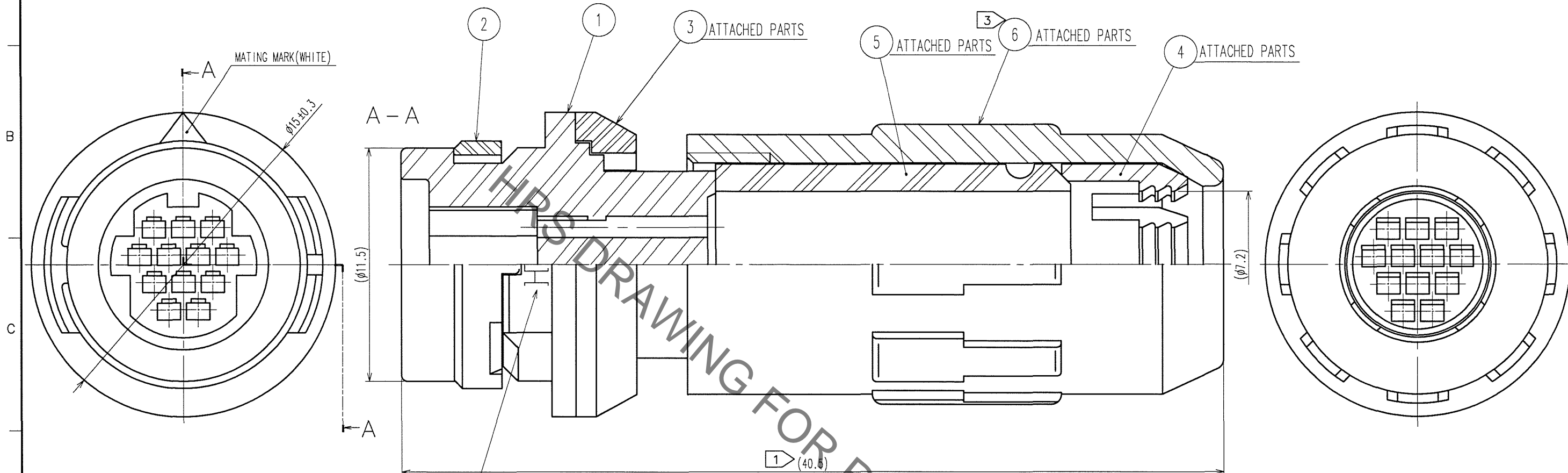


Jan.1.2022 Copyright 2022 HIROSE ELECTRIC CO., LTD. All Rights Reserved.
In case of consideration for using Automotive equipment / device which demand high reliability, kindly contact our sales window correspondents.

COUNT	DESCRIPTION OF REVISIONS	BY	CHKD	DATE	COUNT	DESCRIPTION OF REVISIONS	BY	CHKD	DATE
1	DIS-C-000490	T.H.E.K		07.01.31					

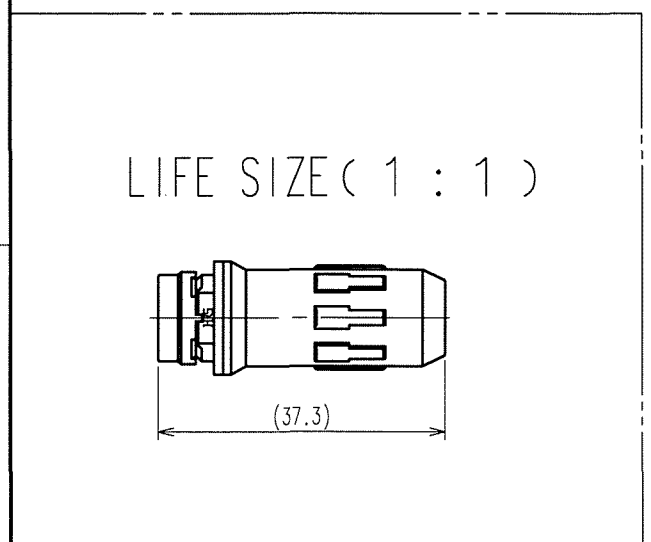


- NOTES
- ① TOTAL LENGTH BECOMES 37.3±1 WHEN ⑥ IS SCREWED INTO ① COMPLETELY.
 - ② APPLICABLE CRIMPING CONTACT:HR30-PC-211
(APPLICABLE WIRE:26-30 AWG WIRE JACKET DIAMETER:φ1 MAX)
APPLICABLE CONTACT WITHDRAWAL HP30-TP
 - ③ THE RECOMMENDED CLUMP TORQUE OF REF. NO.⑥ TO BE 0.5N·m.
SPACER FOR ASSEMBLY IS AVAILABLE HR30-8P-T02.
STAND FOR ASSEMBLY IS AVAILABLE HR30-7J-12PC-T01.
 - △④ THE CABLE PULL AND TWISTING STRENGTH AND OTHER CHARACTERISTICS MAY DIFFER,
DEPENDING ON THE CABLE STRUCTURE.
PLEASE CONFIRM BEFORE THE USE.

3	PBT	(BLACK)	UL94V-0	6	PPS	(BLACK)	UL94V-0
2	PPS	(BLACK)	UL94V-0	5	SYNTHETIC RUBBER	(BLACK)	
1	PPS	(BLACK)	UL94V-0	4	POLYACETAL	(NATURAL)	
NO.	MATERIAL	FINISH, REMARKS		NO.	MATERIAL	FINISH, REMARKS	

CODE NO. (OLD)	DRAWN	DESIGNED	CHECKED	APPROVED	RELEASED
	E.KUNII	E.KUNII		M.SATO	
	'05.10.14	'05.10.14		'05.10.17	

	DRAWING NO. EDC3-112268-71	PART NO. HR30-7J-12PC(71)
SCALE 5 : 1	HIROSE ELECTRIC CO., LTD	CODE NO. CL130-2017-4-71
UNITS mm		1/1



TO
R

Mouser Electronics

Authorized Distributor

Click to View Pricing, Inventory, Delivery & Lifecycle Information:

[Hirose Electric:](#)

[HR30-7J-12PC\(71\)](#)