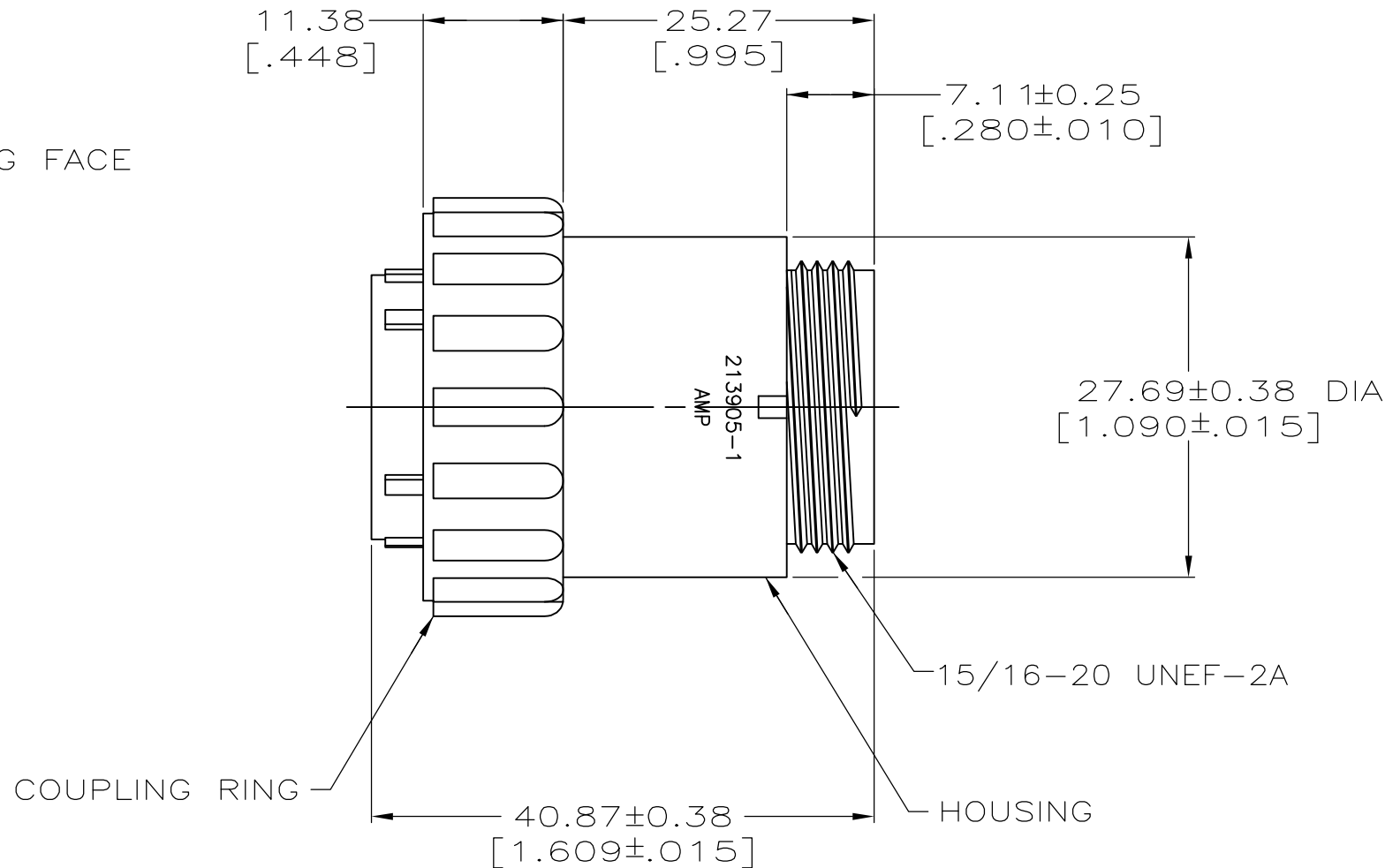
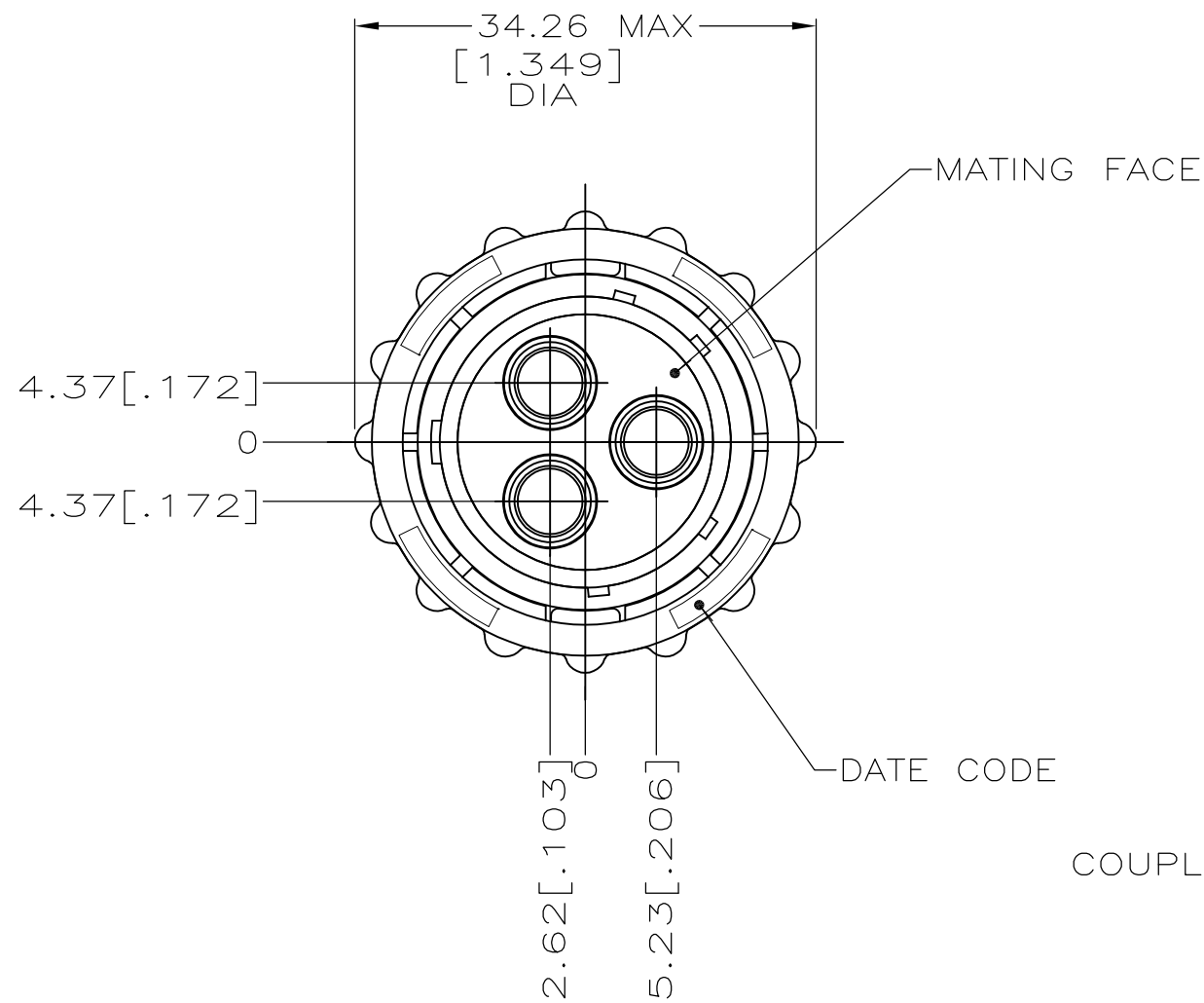


THIS DRAWING IS UNPUBLISHED. RELEASED FOR PUBLICATION - , - .  
 © COPYRIGHT - By - ALL RIGHTS RESERVED.

LOC	DIST	REVISIONS			
P	LTR	DESCRIPTION	DATE	DWN	APVD
FT	0				
	D1	REVISED PER ECO-11-004917	11MAR11	RK	HMR



213905-1  
PART NUMBER

⚠ HOUSING: GLASS FILLED NYLON, 6/6, BLACK  
 COUPLING RING: POLYESTER, BLACK

THIS DRAWING IS A CONTROLLED DOCUMENT.		DWN D.HARDY 07/04/95	TE Connectivity			
DIMENSIONS: MM[INCHES]		CHK W.G.LENKER 07/05/95				
TOLERANCES UNLESS OTHERWISE SPECIFIED:		APVD A.FRANTUM 07/05/95	NAME			
0 PLC ± - 1 PLC ± - 2 PLC ± 0.13 [.005] 3 PLC ± - 4 PLC ± - ANGLES ± -		PRODUCT SPEC	PLUG ASSEMBLY, REVERSE SEX, 17-3, SERIES 5, CIRCULAR PLASTIC CONNECTOR			
MATERIAL		APPLICATION SPEC	SIZE	CAGE CODE	DRAWING NO	RESTRICTED TO
FINISH		WEIGHT	A3	00779	C-213905	-
CUSTOMER DRAWING			SCALE	SHEET	REV	
			2:1	1 of 1	D1	

# Mouser Electronics

Authorized Distributor

Click to View Pricing, Inventory, Delivery & Lifecycle Information:

[TE Connectivity:](#)

[213905-1](#)