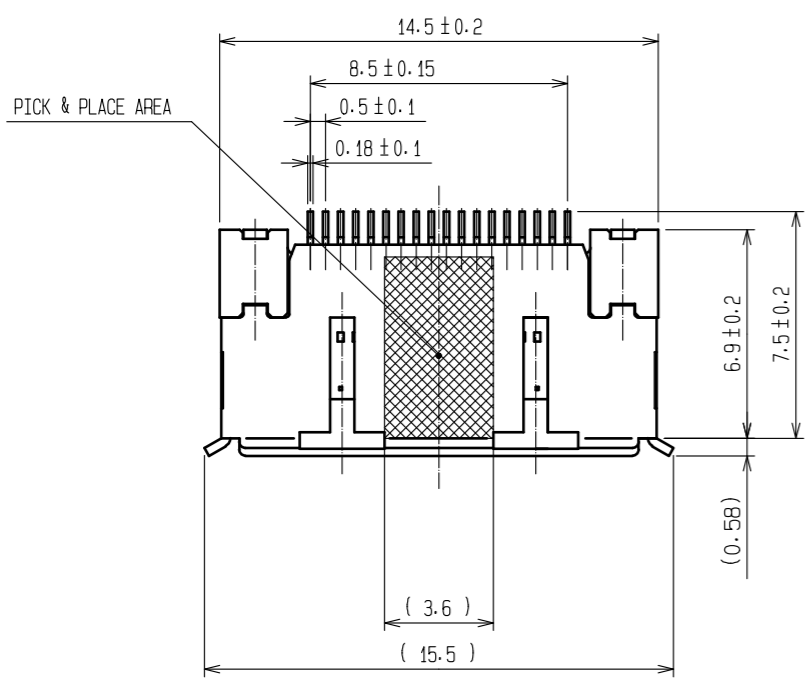
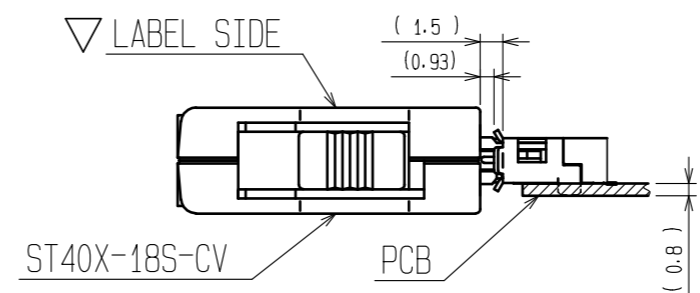


Aug.1.2023 Copyright 2023 HIROSE ELECTRIC CO., LTD. All Rights Reserved.  
In case of consideration for using Automotive equipment / device which demand high reliability, kindly contact our sales window correspondents.



PATTERN OF MOUNTING PLUG (2:1)



RECOMMENDED PC BOARD HOLE PATTERN (2:1)

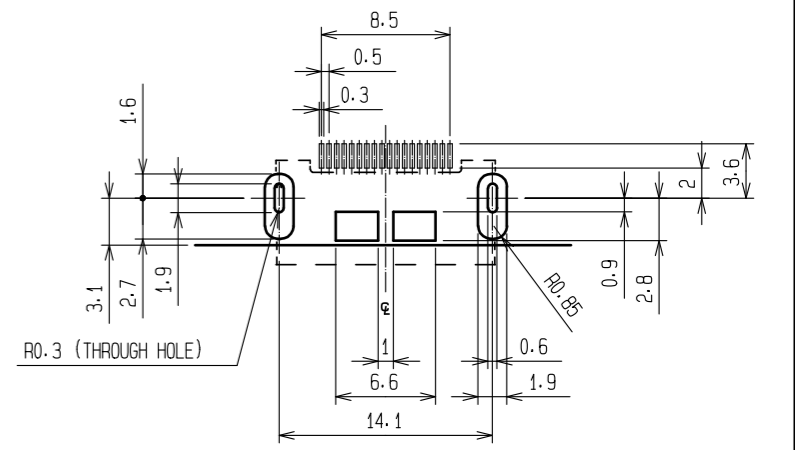
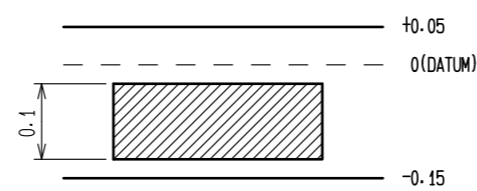
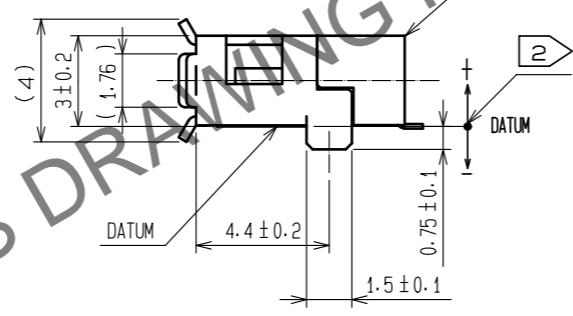
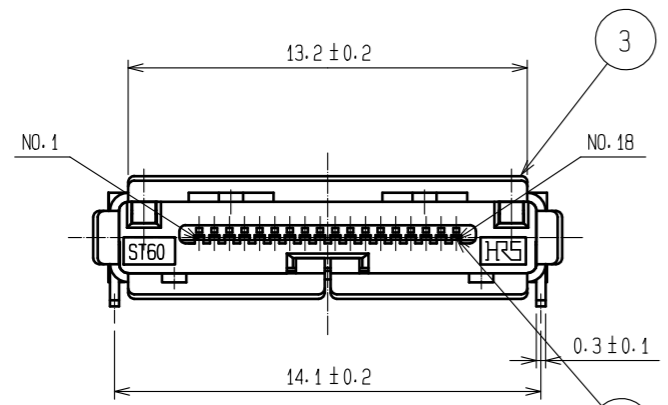
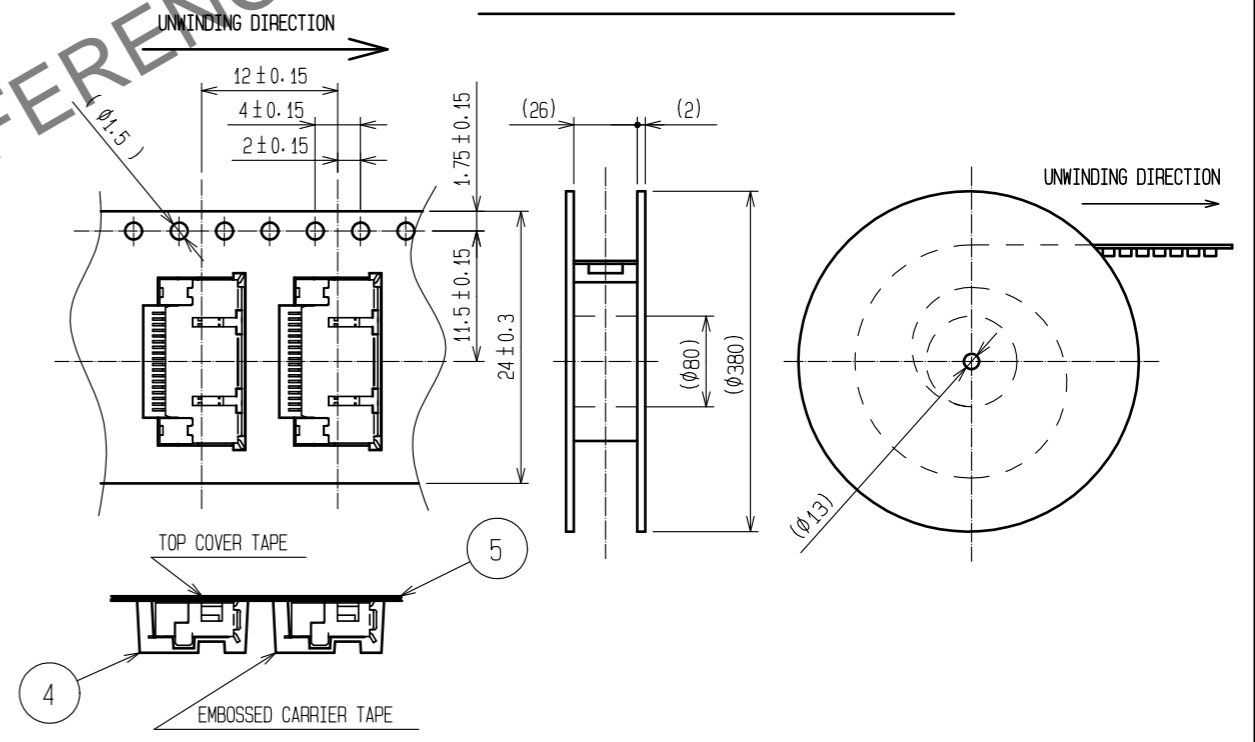


FIGURE FOR PAKAGING (FREE)



- NOTE 1 1REEL:1500 PIECES.  
1REEL CONSISTS OF 1500 PIECES FOR SALE.
- (2) CO-PLANARITY SPECIFICATION AS FIG SHOWN IN THE RIGHT.
  - (3) PLATING  
CONTACT AREA GOLD 0.2µm min.  
LEAD AREA GOLD FLASH.  
UNDER PLATING NICKEL 2µm.
  - (4) PLATING  
SURFACE AREA TIN 2µm min.  
UNDER PLATING NICKEL 0.2µm min.

2	COPPER ALLOY	(3)	5	PS	TOP COVER TAPE
1	LCP-M	BLACK	4	PS	EMBOSSD CARRIER TAPE
			3	STAINLESS STEEL	(4)
NO.	MATERIAL	FINISH . REMARKS	NO.	MATERIAL	FINISH . REMARKS
UNITS	mm	SCALE	4 : 1	COUNT	△
DESCRIPTION OF REVISIONS		DESIGNED	CHECKED		
DATE					
APPROVED : MN. KENJO		20220426	DRAWING NO. EDC-123731-30-09		
CHECKED : KG. OKITA		20220422	PART NO. ST60-18P(30)		
DESIGNED : MO. SHIMOYAMA		20220422	CODE NO. CL0241-0011-9-30		
DRAWN : MO. SHIMOYAMA		20220422	1/1		

# Mouser Electronics

Authorized Distributor

Click to View Pricing, Inventory, Delivery & Lifecycle Information:

[Hirose Electric:](#)

[ST60-18P\(30\)](#)