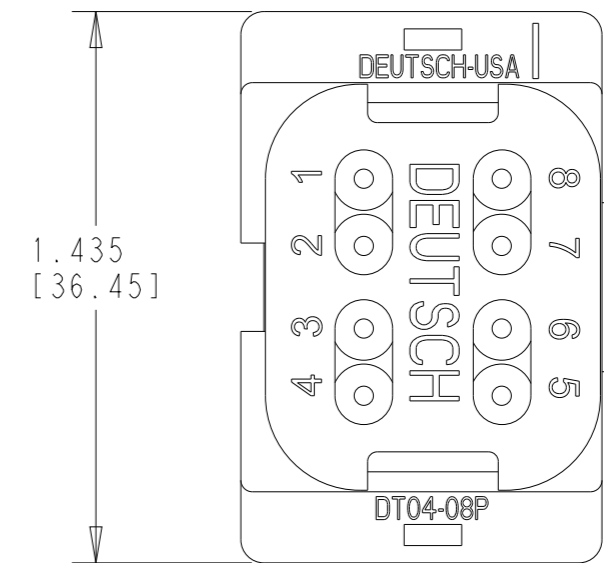
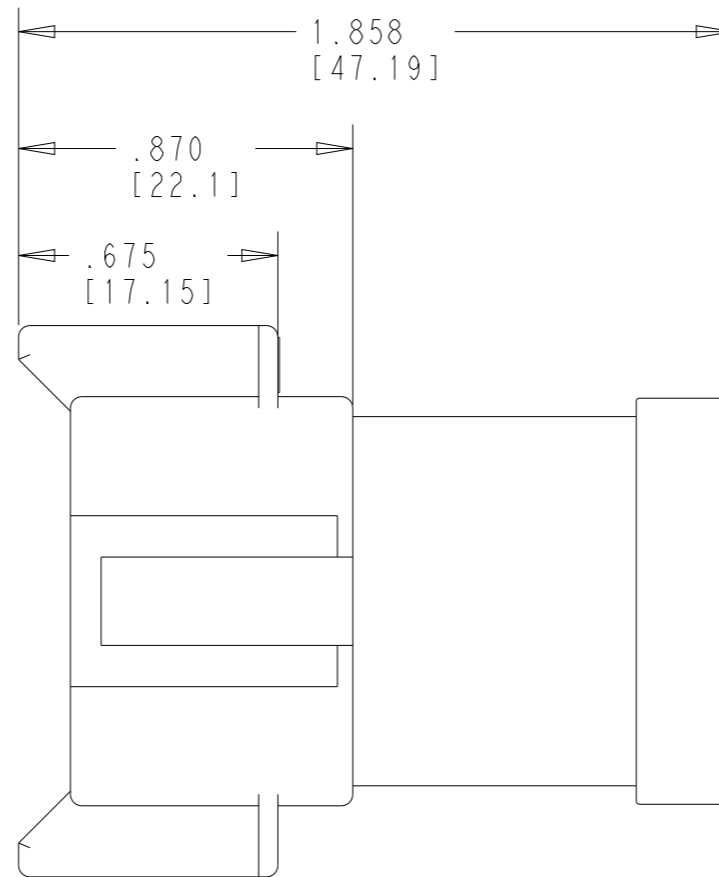
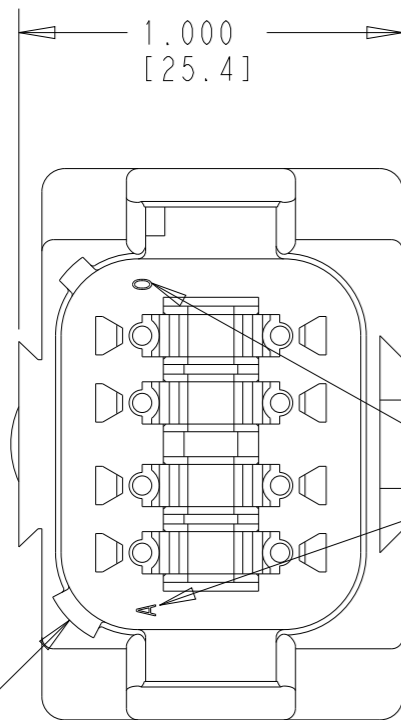


P	LTR	DESCRIPTION	DATE	DWN	APVD
	A1	REVISED PER PCN-21-106315	30JUN2021	MR	IG



4 DATE CODE: MONTH IS REPRESENTED BY SEQUENTIAL ALPHA CHARACTERS EX: A =JAN; YEAR IS REPRESENTED BY LAST NUMERICAL DIGIT EX: 0=2020

3 MATERIAL- RECEPTACLE: PA66 GF15 (BLACK)
WEDGE LOCK: PBT GF30
GROMMET: VMO

2. THIS RECEPTACLE MATES WITH DT06-08SA-XXXX (XXXX = ALL MODIFICATIONS) CONSULT FACTORY FOR MODIFICATIONS.

1. FOR CONECTS AND WIRE PERFORMANCE AND APPLICATION CHARACTERISTICS SEE ENVELOPE DRAWING 0425-015-0000 AND 0425-017-0000.

NOTES:

THIS DRAWING IS A CONTROLLED DOCUMENT.

DIMENSIONS: INCH [mm]	TOLERANCES UNLESS OTHERWISE SPECIFIED:
	0 PLC ±
	1 PLC ±
	2 PLC ±
	3 PLC ±.025 [0.64]
	4 PLC ±
	ANGLES ±0°30'0''
MATERIAL 3	FINISH -

DWN	X. SANCHEZ	09NOV01
CHK	D. MEYER	16NOV01
APVD	D. MEYER	16NOV01
PRODUCT SPEC	108-151009	
APPLICATION SPEC	114-151009	
WEIGHT	25 g	
CUSTOMER DRAWING		

		TE Connectivity	
NAME 8 WAY RECEPTACLE -E005 MOD. DT SERIES			
SIZE	CAGE CODE	DRAWING NO	RESTRICTED TO
A3	00779	DT04-08PA-E005	-
SCALE 1:1		SHEET 1 OF 1	REV A1

Mouser Electronics

Authorized Distributor

Click to View Pricing, Inventory, Delivery & Lifecycle Information:

[TE Connectivity:](#)

[DT04-08PA-E005](#)