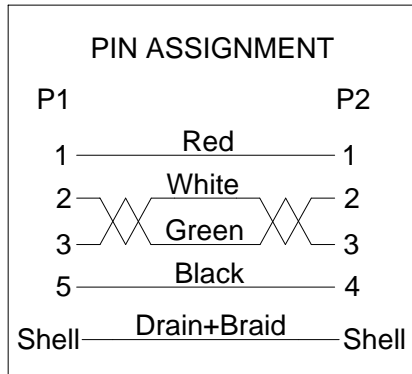
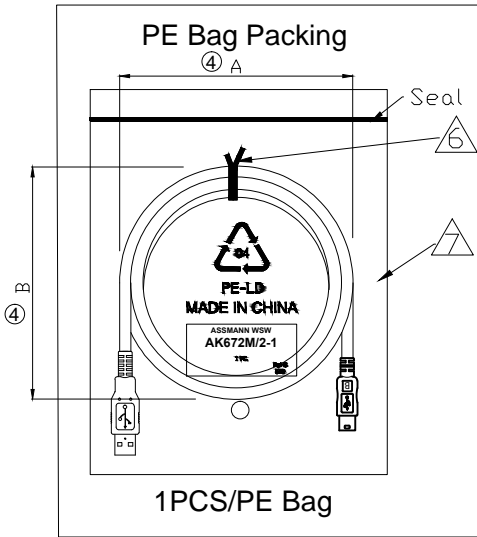


① Cable white print
 ---c AWM STYLE 2725 80°C 30V VW-1 28AWG/1P 28AWG/2C
 ---c AWM I/II A 80°C 30V FT1 USB CABLE

WSW P/N	Jacket color	Length(mm)	Coil size: A*B
AK672M/2-1	Black	1000±30	80*100mm Max.
AK672M/2-2	Black	2000±50	85*105mm Max.
AK672M/2-3	Black	3000±50	120*150mm Max.
AK672M/2-5	Black	5000±50	150*180mm Max.
AK672M/2-0.3	Black	305±15	80*100mm Max.

Electrical test:
 1. 100% short, open, miswire test
 2. Conduct resistance: 2 Ohm max.
 3. Insulator resistance: 10Mohm min.
 4. Dielectric test: DC 300V



NO.	NAME.	Q'TY	SPECIFICATION	
④	PE Bag	1	Clear	Print black "MADE IN CHINA"+ "1PC"
⑥	TIE	1	Black	
⑤	Out Jacket	6g	Black	PVC-45P
④	Out Jacket	6g	Black	PVC-45P
③	Cable	1	Black	USB2.0 UL2725 28#/1P+28#/2C+AEB OD:3.8mm
②	CONN	1	USB 2.0 A MALE SHELL:	Nickel PIN:G/F Insulator color: White
①	CONN	1	USB 2.0 MINI 5P MALE SHELL:	Nickel PIN:G/F Insulator color: Black

RoHS compliant
 Unit: mm

Scale	FREE					Date	Name	Customer-No.
TOLERANCE		④	Add coil size	21.11.2018	Xavier	Drawn	09.05.2014	Amy
		③	Update the drawing	18.01.2018	Tom	Approved	18.01.2018	Tom
		②	Add the 305mm length	20.04.2017	Winnie			
DIM	TOL	①	Update the drawing	26.01.2016	Amy			Drawing-No.
		①	Drawn	09.05.2014	Amy			ASS 7131 CA
Angle	TOL	Id.	Modification	Date	Name			rev04
								Replace

