

## Ultra-Precision Differential LVPECL 2:1 MUX with Internal Termination

### Features

- Guaranteed AC Performance over Temperature and Voltage:
  - DC to 5 Gbps Throughput
  - DC to >4 GHz  $f_{MAX}$  (Clock)
  - <240 ps Propagation Delay (IN-to-Q)
  - <110 ps Rise/Fall Times
- Ultra-Low Jitter Design
- Unique Input Termination and VT Pin Accepts DC- and AC-Coupled Inputs (CML, PECL, LVDS)
- 800 mV (100k) LVPECL Output Swing
- 2.5V  $\pm$ 5% or 3.3V  $\pm$ 10% Power Supply Operation
- Industrial Temperature Range:  $-40^{\circ}\text{C}$  to  $+85^{\circ}\text{C}$
- Available in 16-lead (3 mm x 3 mm) QFN Package

### Applications

- Redundant Clock Distribution
- SONET/SDH Clock/Data Distribution
- Loopback
- Fibre Channel Distribution

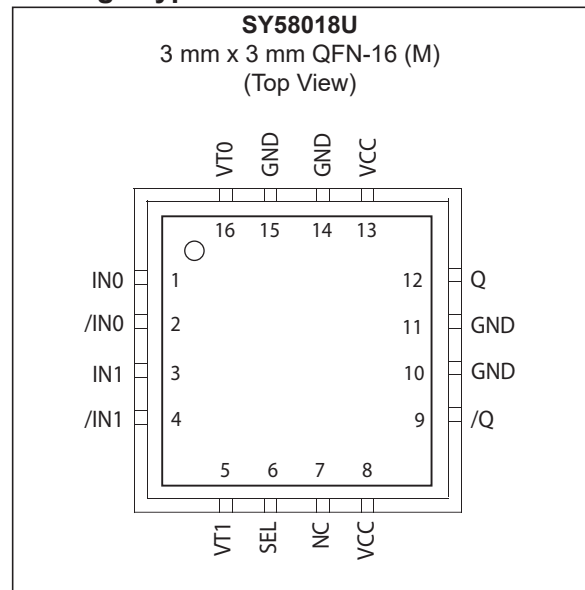
### General Description

The SY58018U is a 2.5V/3.3V precision, high-speed, 2:1 differential MUX capable of handling clocks up to 4 GHz and data up to 5 Gbps.

The differential input includes Microchip's unique, 3-pin input termination architecture that allows customers to interface to any differential signal (AC- or DC-coupled) as small as 100 mV without any level shifting or termination resistor networks in the signal path. The outputs are 800 mV, 100k compatible, LVPECL, with extremely fast rise/fall times guaranteed to be less than 110 ps.

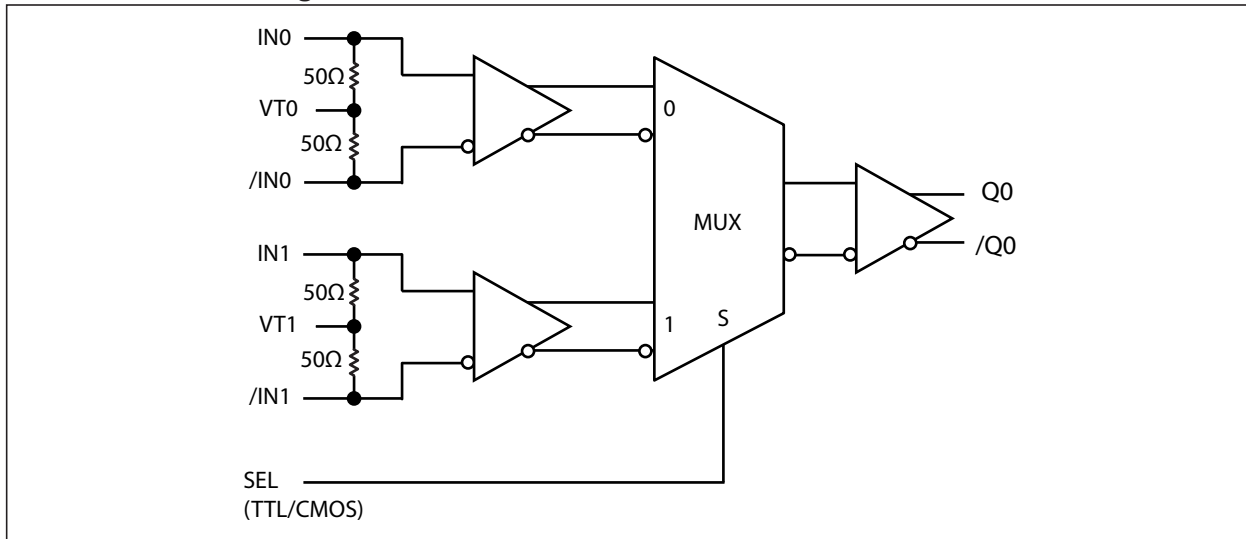
The SY58018U operates from a 2.5V  $\pm$ 5% supply or a 3.3V  $\pm$ 10% supply and is guaranteed over the full industrial temperature range of  $-40^{\circ}\text{C}$  to  $+85^{\circ}\text{C}$ . For applications that require CML outputs, consider the SY58017U or for 400 mV LVPECL outputs the SY58019U. The SY58018U is part of Microchip's high-speed, Precision Edge<sup>®</sup> product line.

### Package Type



# SY58018U

## Functional Block Diagram



## 1.0 ELECTRICAL CHARACTERISTICS

### Absolute Maximum Ratings †

Supply Voltage ( $V_{CC}$ ) .....	-0.5V to +4.0V
Input Voltage ( $V_{IN}$ ) .....	-0.5V to $V_{CC}$
LVPECL Output Current ( $I_{OUT}$ )	
Continuous .....	50 mA
Surge.....	100 mA
Termination Current ( $I_{VT}$ )	
Source or Sink on VT Pin.....	±100 mA
Input Current	
Source or Sink Current on IN, /IN.....	±50 mA

### Operating Ratings ††

Supply Voltage ( $V_{CC}$ ) .....	+2.375V to +2.625V
Supply Voltage ( $V_{CC}$ ) .....	+2.97V to +3.63V

† **Notice:** Permanent device damage may occur if absolute maximum ratings are exceeded. This is a stress rating only and functional operation is not implied at conditions other than those detailed in the operational sections of this data sheet. Exposure to absolute maximum ratings conditions for extended periods may affect device reliability.

†† **Notice:** The data sheet limits are not guaranteed if the device is operated beyond the operating ratings.

# SY58018U

## DC ELECTRICAL CHARACTERISTICS

**Electrical Characteristics:**  $T_A = -40^{\circ}\text{C}$  to  $+85^{\circ}\text{C}$ , unless otherwise stated. [Note 1](#)

Parameters	Sym.	Min.	Typ.	Max.	Units	Conditions
Power Supply Voltage Range	$V_{CC}$	2.375	2.5	2.625	V	—
		2.97	3.3	3.63		
Power Supply Current	$I_{CC}$	—	50	65	mA	No load, max. $V_{CC}$
Differential Input Resistance (IN0-to-/IN0, IN1-to-/IN1)	$R_{DIFF\_IN}$	80	100	120	$\Omega$	—
Input Resistance (IN0-to-VT0, /IN0-to-VT0, IN1-to-VT1, /IN1-to-VT1)	$R_{IN}$	40	50	60	$\Omega$	—
Input HIGH Voltage (IN0, /IN0, IN1, /IN1)	$V_{IH}$	$V_{CC} - 1.6$	—	$V_{CC}$	V	<a href="#">Note 2</a>
Input LOW Voltage (IN0, /IN0, IN1, /IN1)	$V_{IL}$	0	—	$V_{IH} - 0.1$	V	—
Input Voltage Swing (IN0, /IN0, IN1, /IN1)	$V_{IN}$	0.1	—	1.7	V	See <a href="#">Figure 4-1</a>
Differential Input Voltage Swing $ IN0, /IN0 ,  IN1, /IN1 $	$V_{DIFF\_IN}$	0.2	—	—	V	See <a href="#">Figure 4-2</a>
Voltage from Input to VT (IN0, /IN0, IN1, /IN1)	$V_{T\_IN}$	—	—	1.28	V	—

**Note 1:** The circuit is designed to meet the DC specifications shown in the above table after thermal equilibrium has been established.

**2:**  $V_{IH(MIN)}$  not lower than 1.2V.

## LVPECL OUTPUT DC ELECTRICAL CHARACTERISTICS

**Electrical Characteristics:**  $V_{CC} = +2.5\text{V} \pm 5\%$  or  $+3.3\text{V} \pm 10\%$ ,  $R_L = 50\Omega$  to  $V_{CC} - 2\text{V}$ ;  $T_A = -40^{\circ}\text{C}$  to  $+85^{\circ}\text{C}$ , unless otherwise stated. [Note 1](#)

Parameter	Symbol	Min.	Typ.	Max.	Units	Condition
Output High Voltage Q, /Q	$V_{OH}$	$V_{CC} - 1.145$	—	$V_{CC} - 0.895$	V	—
Output Low Voltage Q, /Q	$V_{OL}$	$V_{CC} - 1.945$	—	$V_{CC} - 1.695$	V	—
Output Differential Swing Q, /Q	$V_{OUT}$	550	800	—	mV	See <a href="#">Figure 4-1</a>
Differential Output Voltage Swing Q, /Q	$V_{DIFF\_OUT}$	1100	1600	—	mV	See <a href="#">Figure 4-2</a>

**Note 1:** The circuit is designed to meet the DC specifications shown in the above table after thermal equilibrium has been established.

## LVTTL/CMOS DC ELECTRICAL CHARACTERISTICS

**Electrical Characteristics:**  $V_{CC} = 2.5V \pm 5\%$  or  $3.3V \pm 10\%$ ;  $T_A = -40^\circ C$  to  $+85^\circ C$ . [Note 1](#)

Parameter	Symbol	Min.	Typ.	Max.	Units	Condition
Input HIGH Voltage	$V_{IH}$	2.0	—	—	V	—
Input LOW Voltage	$V_{IL}$	—	—	0.8	V	—
Input HIGH Current	$I_{IH}$	—	—	40	$\mu A$	—
Input LOW Current	$I_{IL}$	-300	—	—	$\mu A$	—

**Note 1:** The circuit is designed to meet the DC specifications shown in the above table after thermal equilibrium has been established.

## AC ELECTRICAL CHARACTERISTICS

**Electrical Characteristics:**  $V_{CC} = +2.5V \pm 5\%$  or  $+3.3V \pm 10\%$ ,  $R_L = 50\Omega$  to  $V_{CC} - 2V$ ;  $T_A = -40^\circ C$  to  $+85^\circ C$ , unless otherwise stated. [Note 1](#)

Parameter	Symbol	Min.	Typ.	Max.	Units	Condition
Maximum Frequency	$f_{MAX}$	5	—	—	Gbps	NRZ (Data)
		—	4	—	GHz	$V_{OUT} > 400$ mV (Clock)
Propagation Delay	$t_{PD}$	110	190	240	ps	(IN0 or IN1-to-Q)
		50	180	350	ps	(SEL-to-Q)
Differential Propagation Delay Temperature Coefficient	$t_{PD}$ Tempco	—	75	—	fs/ $^\circ C$	—
Input-to-Input Skew	$t_{SKEW}$	—	4	15	ps	<a href="#">Note 2</a>
Part-to-Part Skew		—	—	100	ps	<a href="#">Note 3</a>
Additive Phase Jitter	$t_{JITTER}$	—	50	—	fs	622 MHz Integration Range: 12 kHz to 20 MHz
		—	104	—		156.25 MHz Integration Range: 12 kHz to 20 MHz
		—	173	—		100 MHz Integration Range: 12 kHz to 20 MHz
Output Rise/Fall Time	$t_r/t_f$	35	75	110	ps	20% to 80% at full swing

**Note 1:** High frequency AC parameters are guaranteed by design and characterization.

**2:** Input-to-input skew is the difference in time from and input-to-output in comparison to any other input-to-output.

**3:** Part-to-Part skew is defined for two parts with identical power supply voltages at the same temperature and no skew at the edges at the respective inputs.

# SY58018U

## TEMPERATURE SPECIFICATIONS

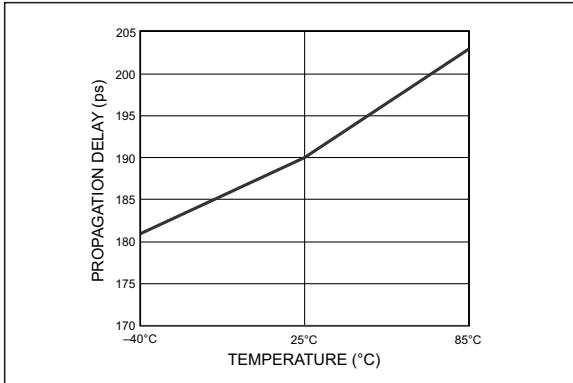
Parameters	Sym.	Min.	Typ.	Max.	Units	Conditions
<b>Temperature Ranges</b>						
Operating Ambient Temperature Range	$T_A$	-40	—	+85	°C	—
Lead Temperature	—	—	—	+260	°C	Soldering, 20 sec.
Storage Temperature Range	$T_S$	-65	—	+150	°C	—
<b>Package Thermal Resistances (Note 1)</b>						
Thermal Resistance, 3x3 QFN-16Ld	$\theta_{JA}$	—	60	—	°C/W	Still-air
	$\psi_{JB}$	—	38	—	°C/W	Junction-to-board

**Note 1:** Package thermal resistance assumes exposed pad is soldered (or equivalent) to the device's most negative potential on the PCB.  $\psi_{JB}$  and  $\theta_{JA}$  values are determined for a 4-layer board in still-air number, unless otherwise stated.

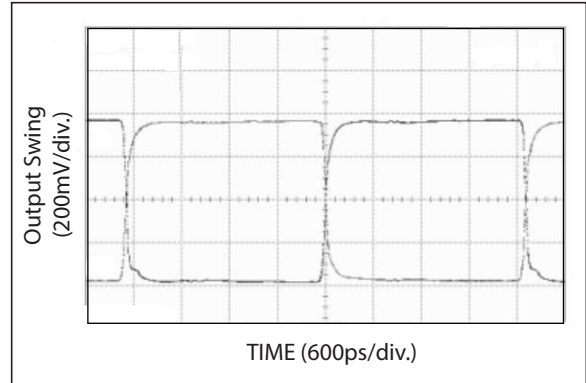
## 2.0 TYPICAL PERFORMANCE CURVES

**Note:** The graphs and tables provided following this note are a statistical summary based on a limited number of samples and are provided for informational purposes only. The performance characteristics listed herein are not tested or guaranteed. In some graphs or tables, the data presented may be outside the specified operating range (e.g., outside specified power supply range) and therefore outside the warranted range.

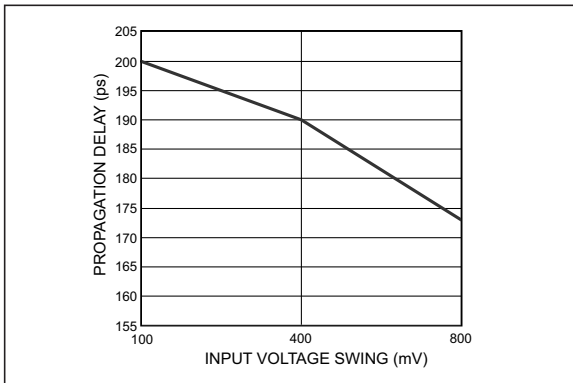
$V_{CC} = 3.3V$ ,  $V_{IN} = 400\text{ mV}$ ,  $T_A = +25^\circ\text{C}$ , unless otherwise stated.



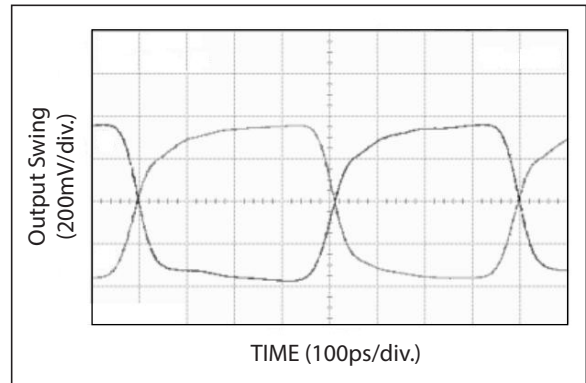
**FIGURE 2-1:** Propagation Delay vs. Temperature.



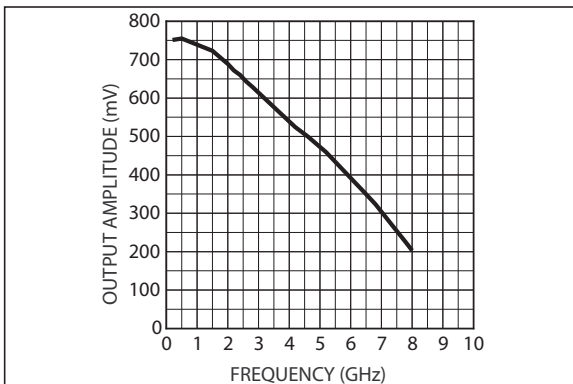
**FIGURE 2-4:** 200 MHz Output.



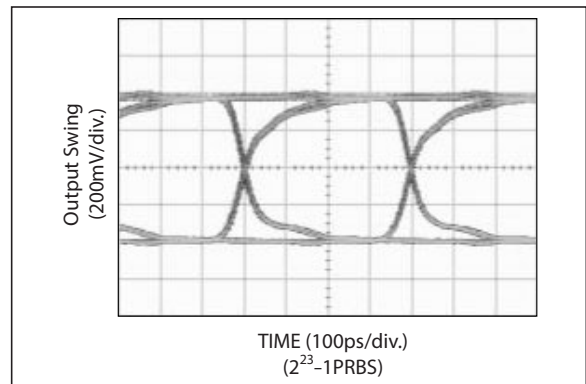
**FIGURE 2-2:** Propagation Delay vs. Input Voltage Swing.



**FIGURE 2-5:** 1.25 GHz Output.



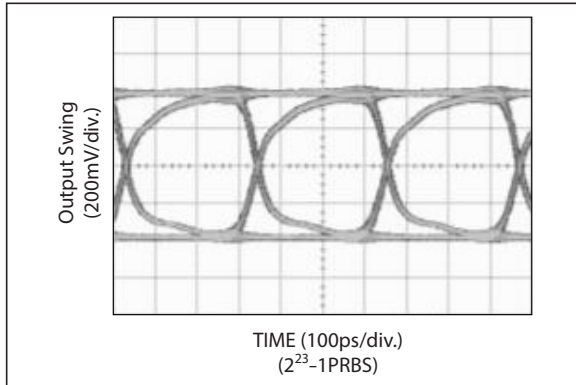
**FIGURE 2-3:** Output Amplitude vs. Frequency.



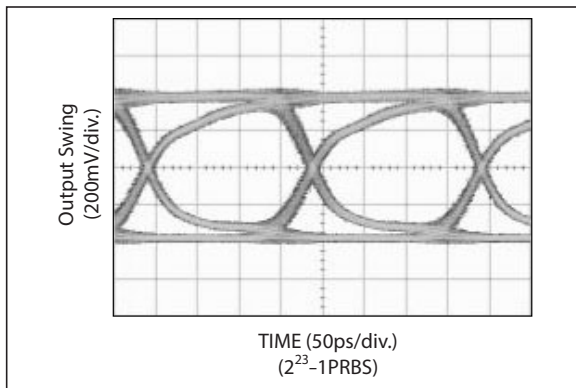
**FIGURE 2-6:** 2.5 Gbps Output.

# SY58018U

---



**FIGURE 2-7:** 3.2 Gbps Output.



**FIGURE 2-8:** 5 Gbps Output.

## 3.0 PHASE NOISE PLOTS

$V_{CC} = +3.3V$ ,  $T_A = +25^\circ C$ .

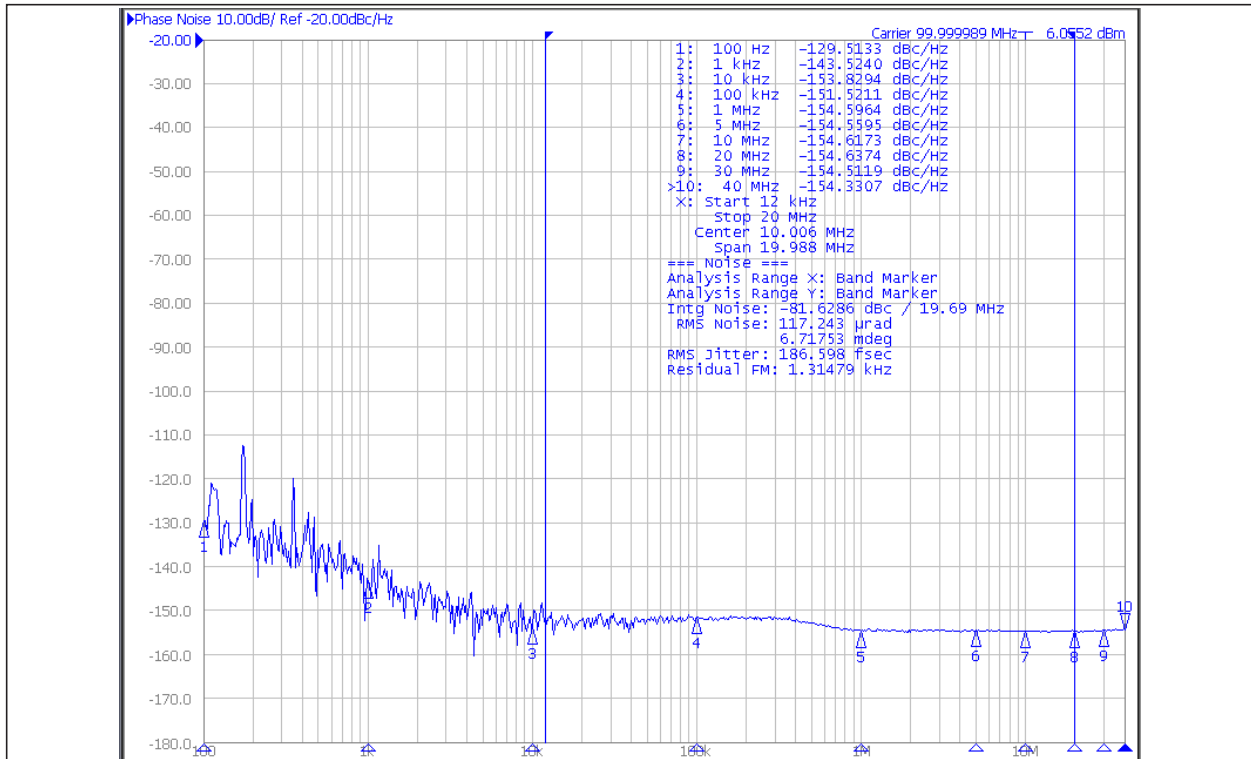


FIGURE 3-1: 100 MHz Phase Jitter, Device.

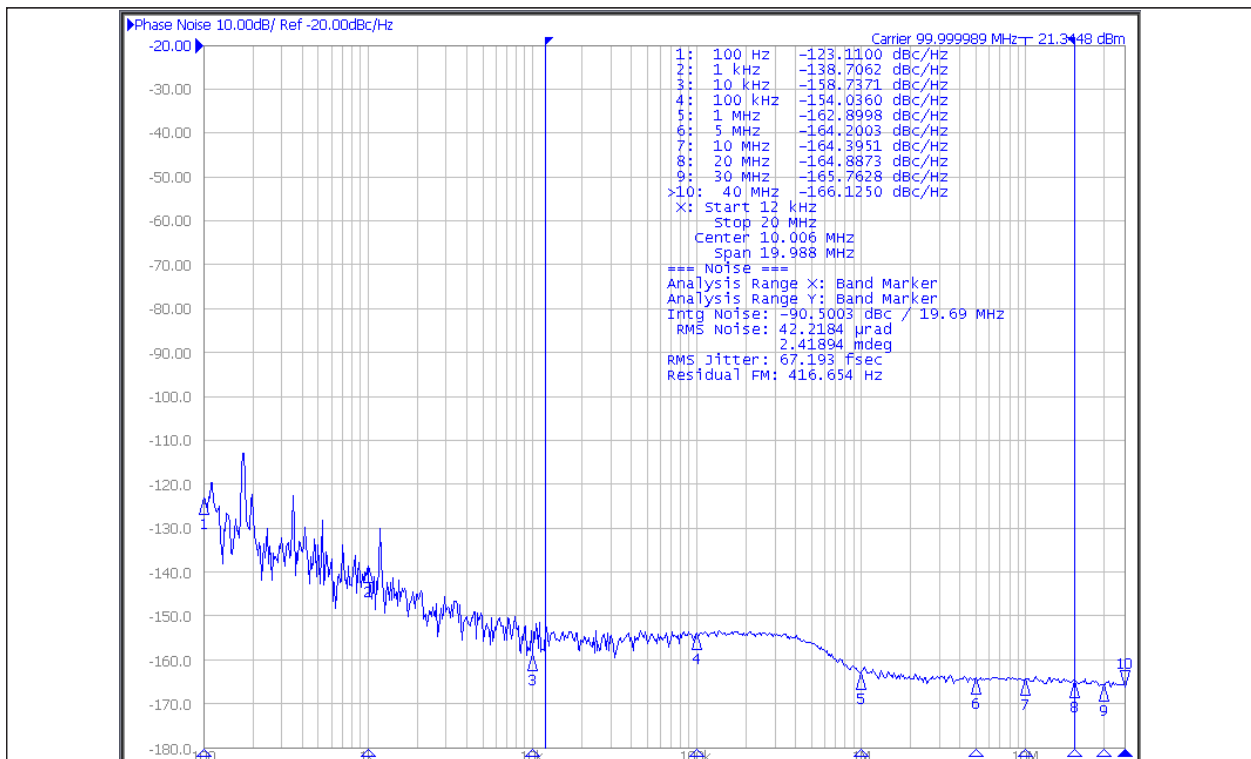
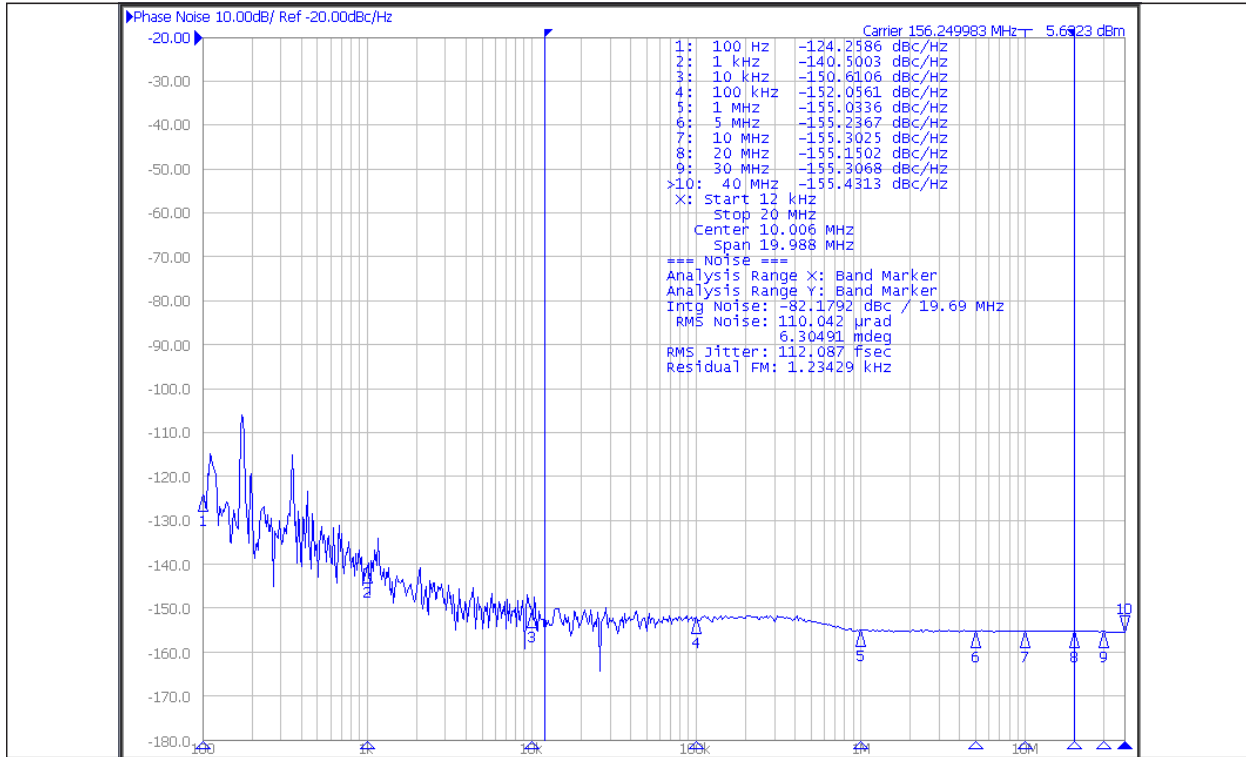
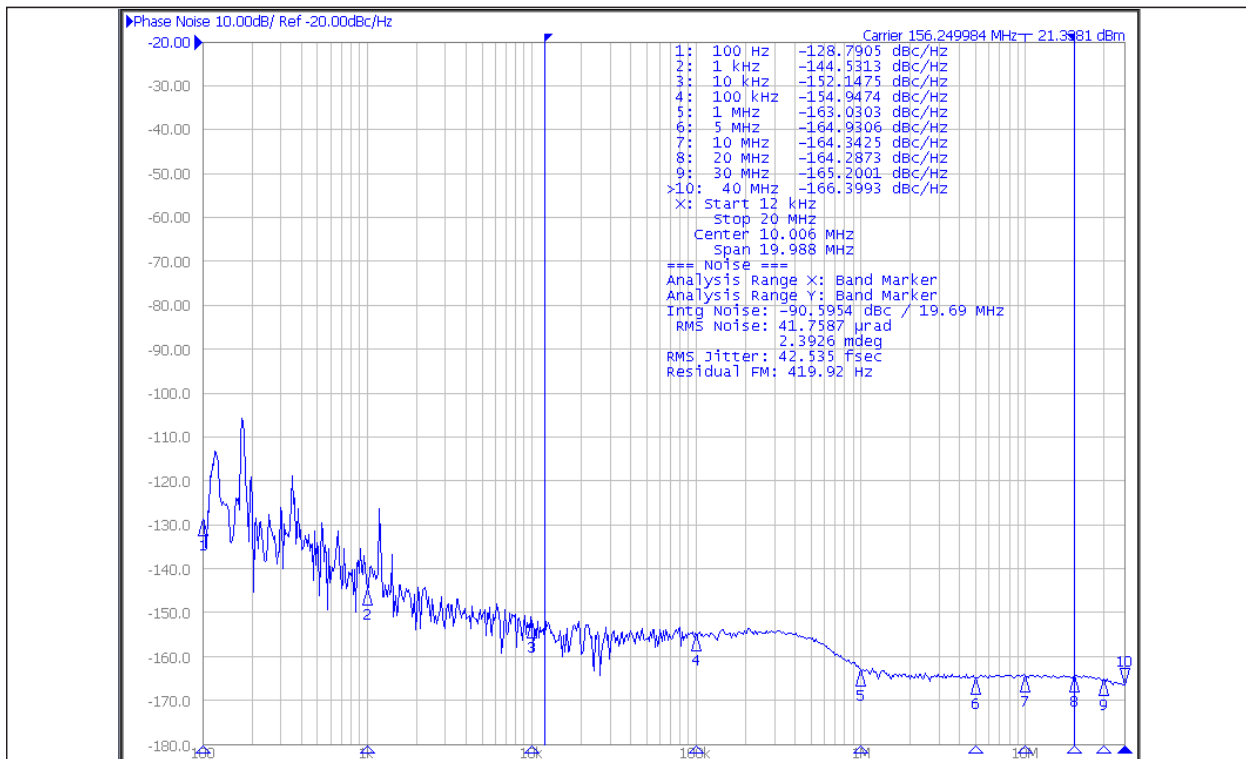


FIGURE 3-2: 100 MHz Phase Jitter, Source.

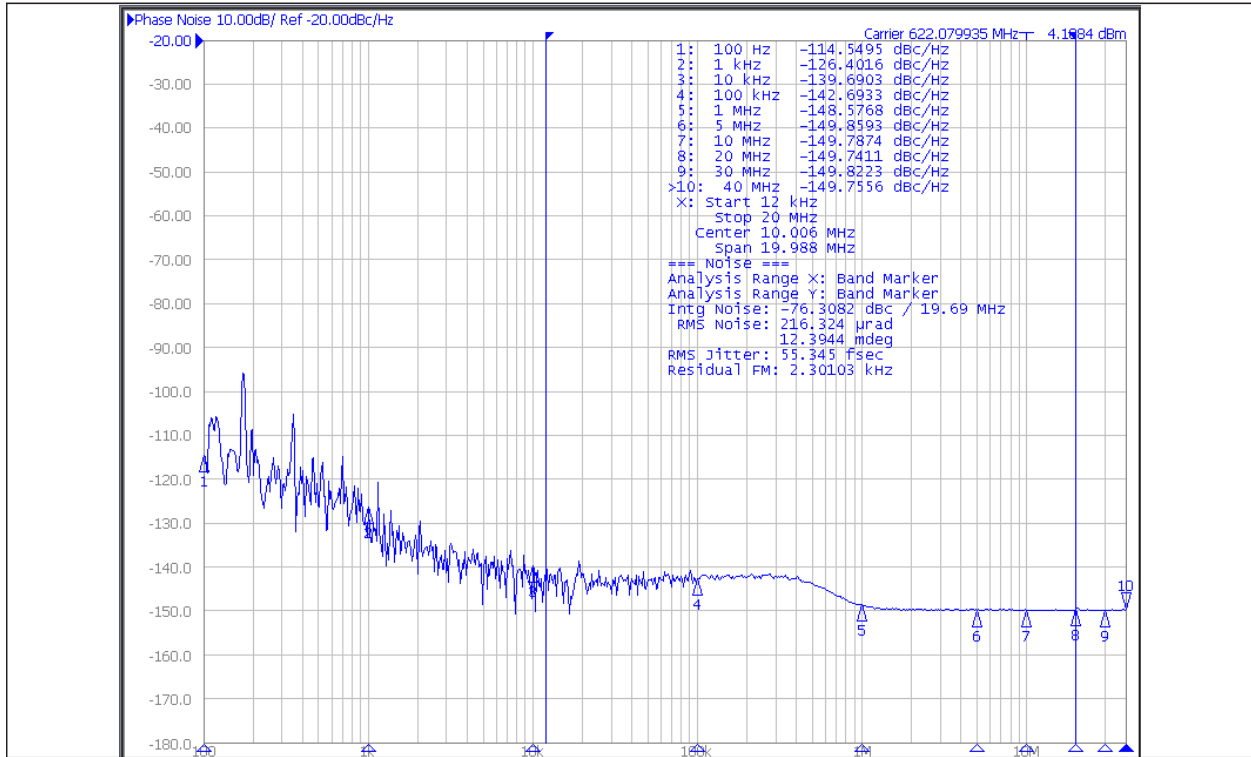
# SY58018U



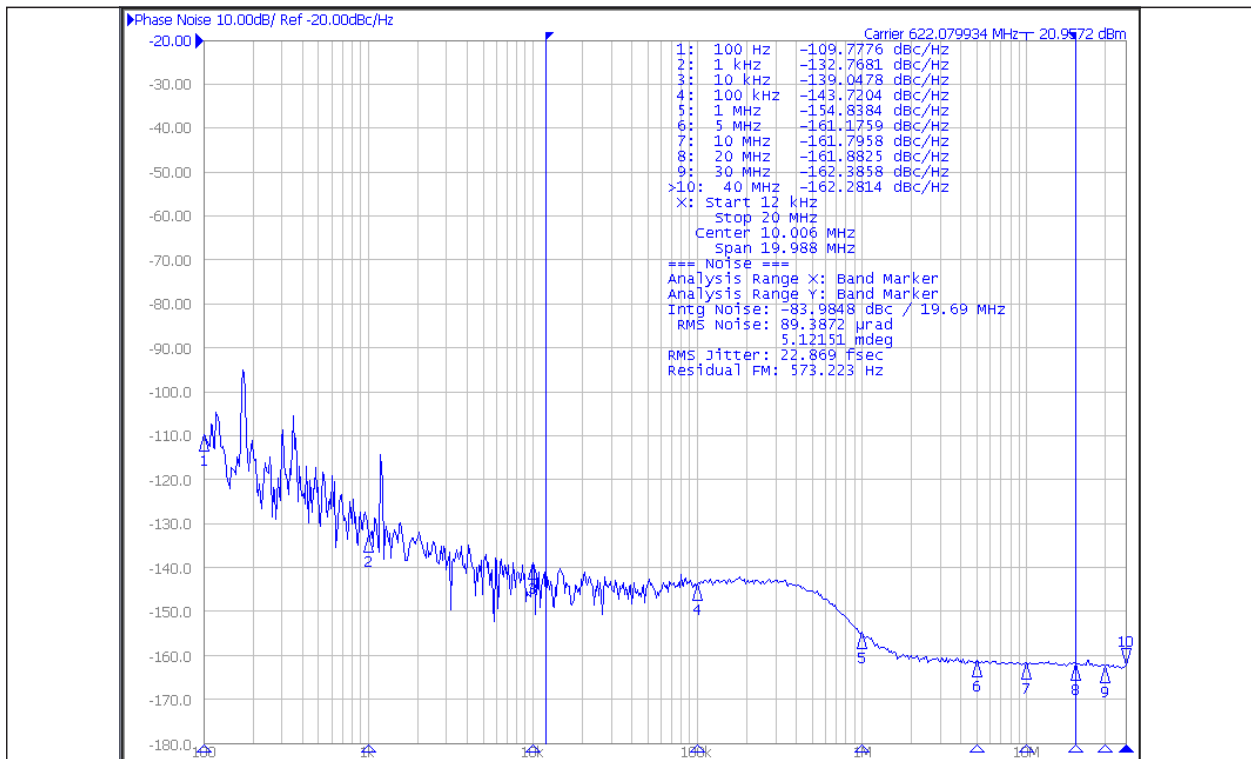
**FIGURE 3-3:** 156.25 MHz Phase Jitter, Device.



**FIGURE 3-4:** 156.25 MHz Phase Jitter, Source.



**FIGURE 3-5:** 622 MHz Phase Jitter, Device.



**FIGURE 3-6:** 622 MHz Phase Jitter, Source.

# SY58018U

## 4.0 PIN DESCRIPTIONS

The descriptions of the pins are listed in [Table 4-1](#).

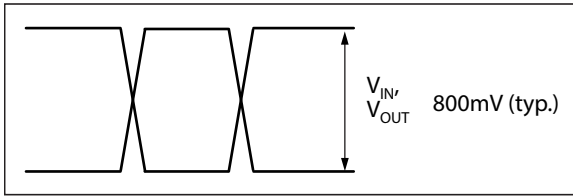
**TABLE 4-1: PIN FUNCTION TABLE**

Pin Number	Symbol	Description
1, 2 3, 4	IN0, /IN0 IN1, /IN1	Differential Input: These input pairs are the differential signal inputs to the device. They accept differential AC- or DC-coupled signals as small as 100 mV. Each pin of a pair internally terminates to a VT pin through 50Ω. Note that these inputs will default to an indeterminate state if left open. Please refer to the “Input Interface Applications” section for more details.
16, 5	VT0, VT1	Input Termination Center-Tap: Each side of the differential input pair terminates to a VT pin. The VT0 and VT1 pins provide a center-tap to a termination network for maximum interface flexibility. See “Input Interface Applications” section for more details.
6	SEL	This single-ended TTL/CMOS compatible input selects the inputs to the multiplexer. Note that this input is internally connected to a 25 kΩ pull-up resistor and will default to a logic HIGH state if left open.
7	NC	No connect.
8, 13	VCC	Positive Power Supply: Bypass with 0.1 μF//0.01 μF low ESR capacitors. 0.01 μF capacitor should be as close to VCC pin as possible.
12, 9	Q, /Q	Differential Outputs: This 100k compatible LVPECL output pair is the output of the device. Normally terminate with 50Ω to $V_{CC} - 2V$ . See “Output Interface Applications” section. It is a logic function of the IN0, IN1, and SEL inputs. Please refer to the “Truth Table” for details.
10, 11, 14, 15	GND, Exposed Pad	Ground. Ground pins and exposed pad must be connected to the same ground plane.

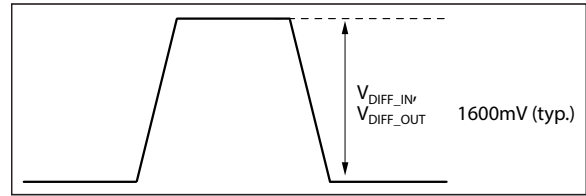
**TABLE 4-2: TRUTH TABLE**

SEL	Output
0	CH0 Input Selected
1	CH1 Input Selected

## Single-Ended and Differential Swings

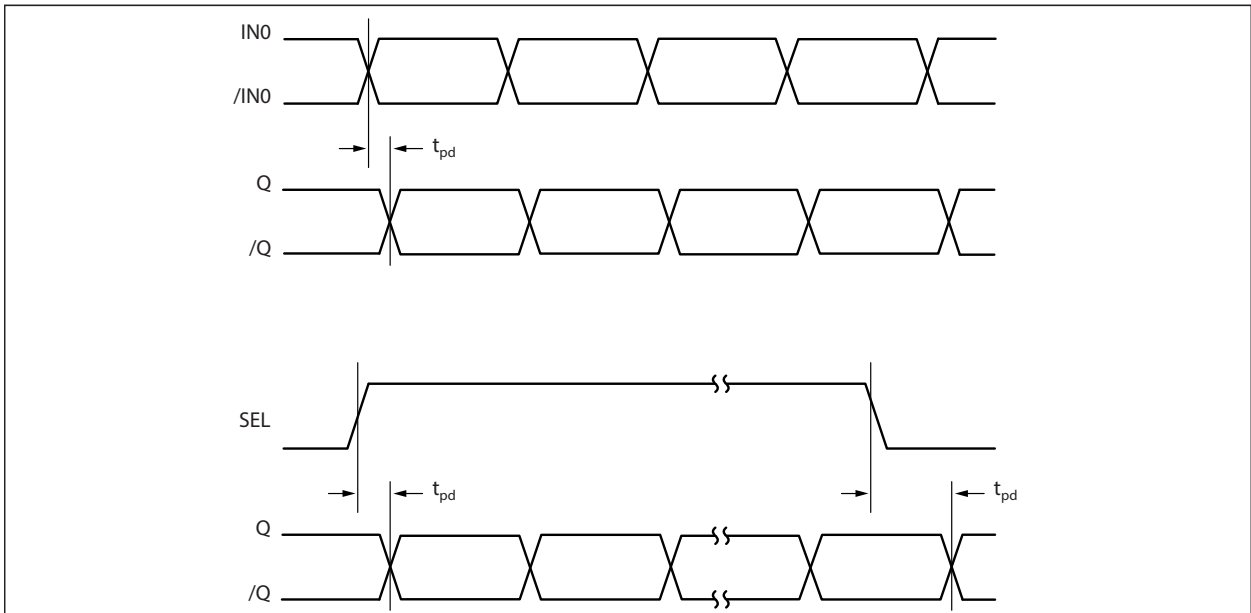


**FIGURE 4-1:** Single-Ended Voltage Swing.

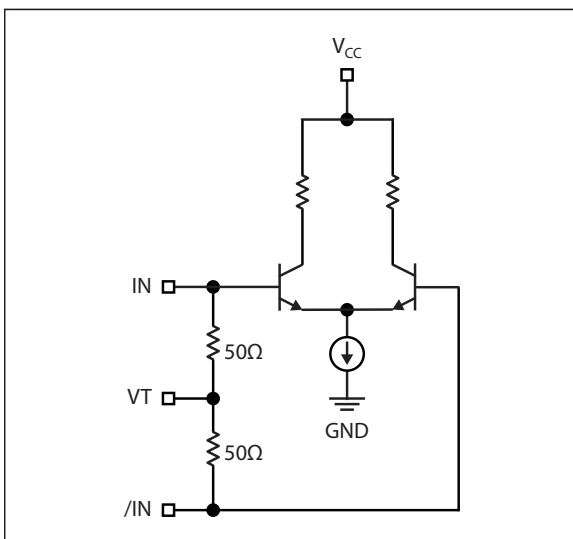


**FIGURE 4-2:** Differential Voltage Swing.

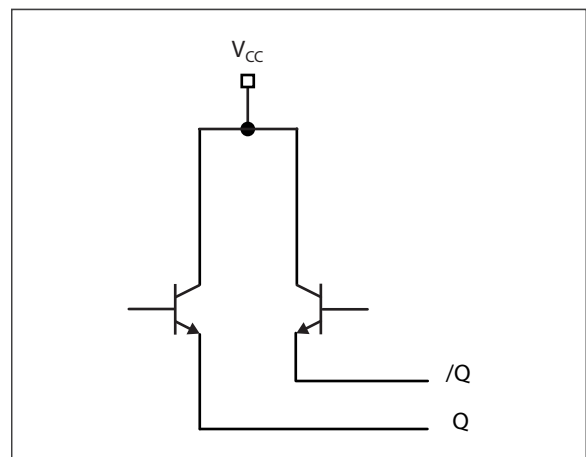
## Timing Diagrams



## Input and Output Stages



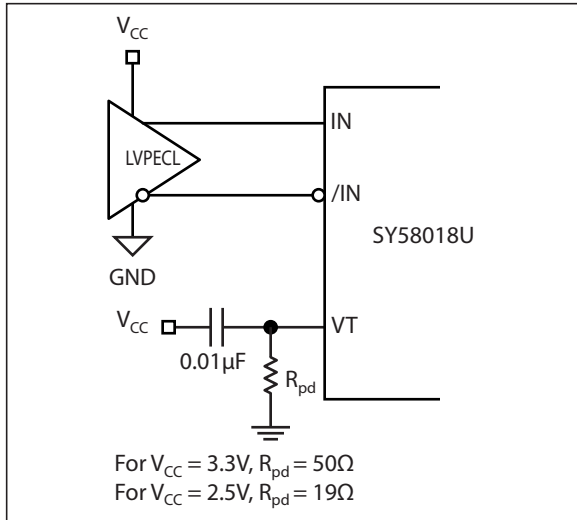
**FIGURE 4-3:** Simplified Differential Input Stage.



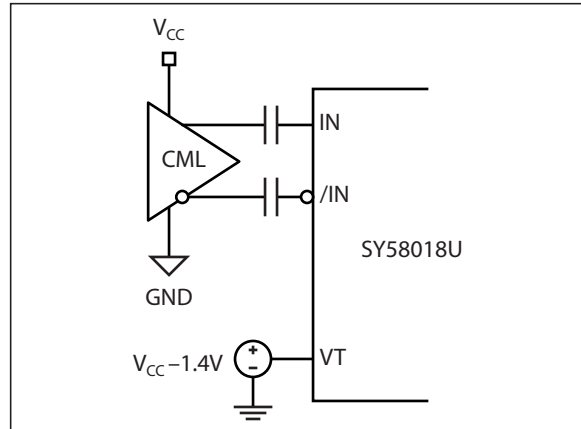
**FIGURE 4-4:** Simplified LVPECL Output Stage.

# SY58018U

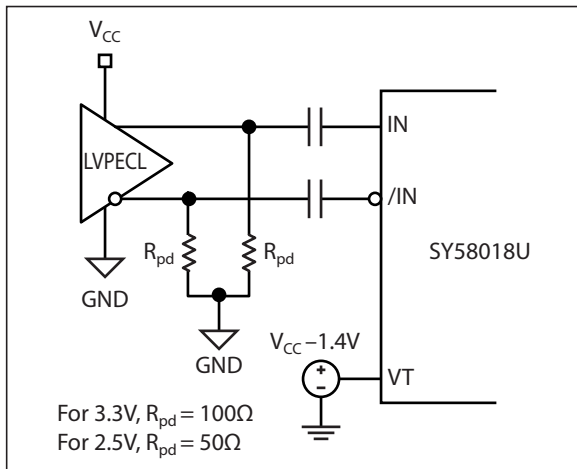
## 5.0 INPUT INTERFACE APPLICATIONS



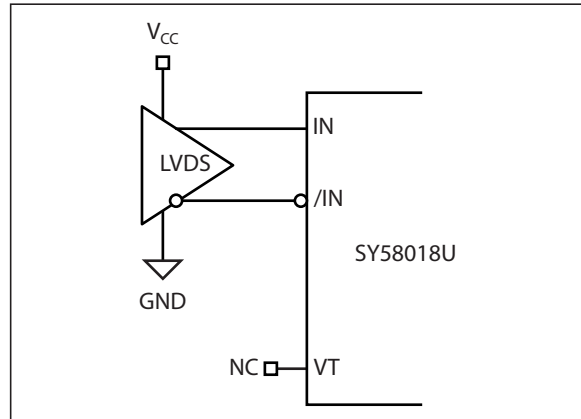
**FIGURE 5-1:** DC-Coupled LVPECL Interface.



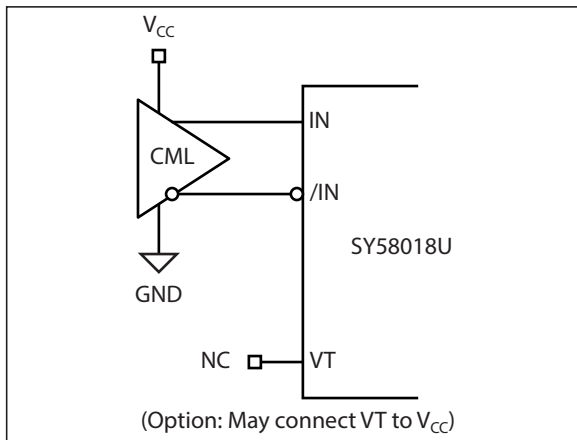
**FIGURE 5-4:** AC-Coupled CML Interface.



**FIGURE 5-2:** AC-Coupled LVPECL Interface.

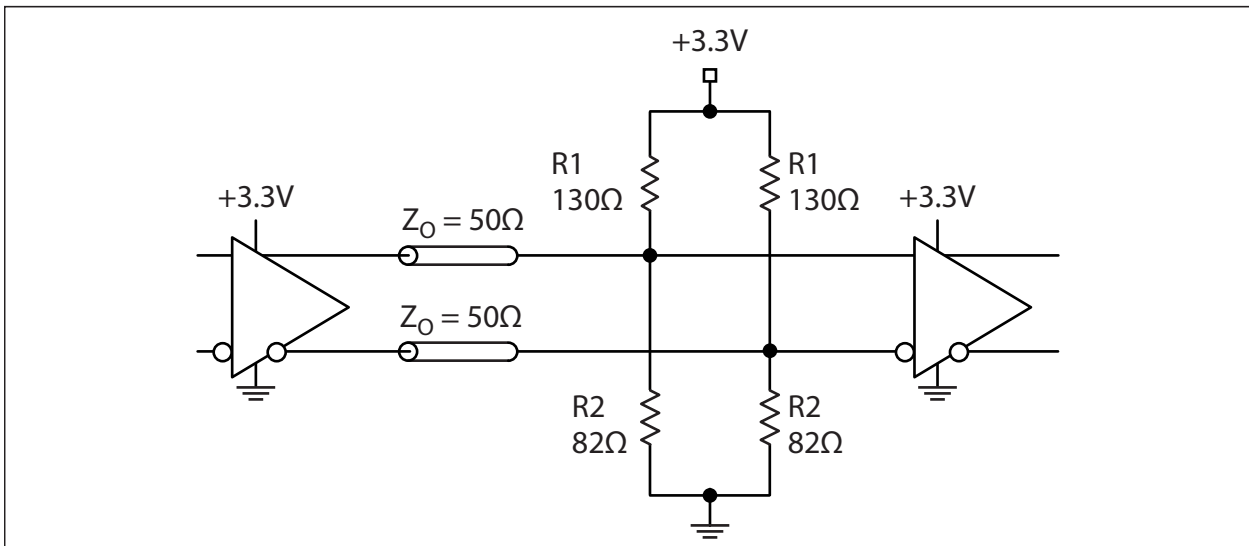


**FIGURE 5-5:** LVDS Interface.

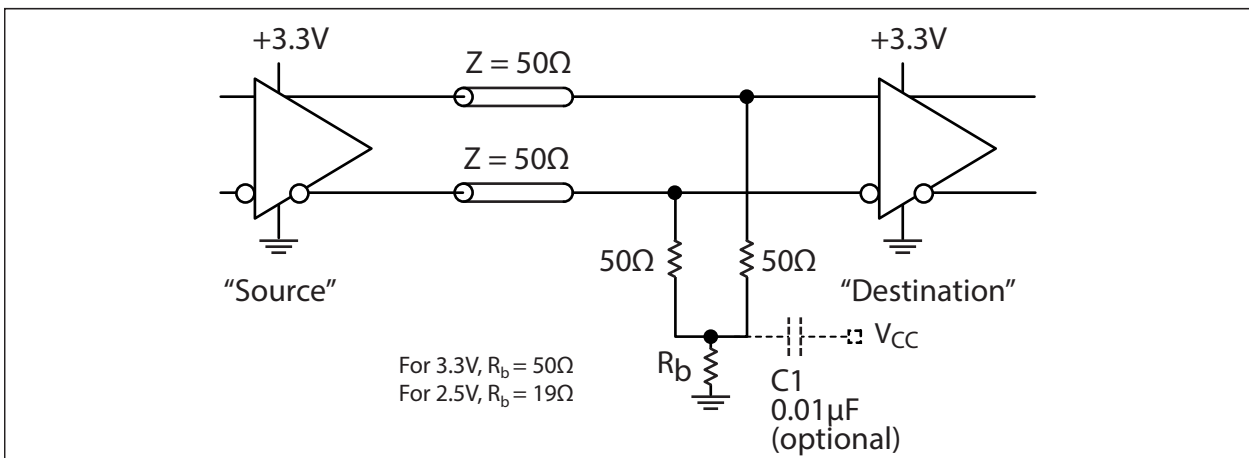


**FIGURE 5-3:** DC-Coupled CML Interface.

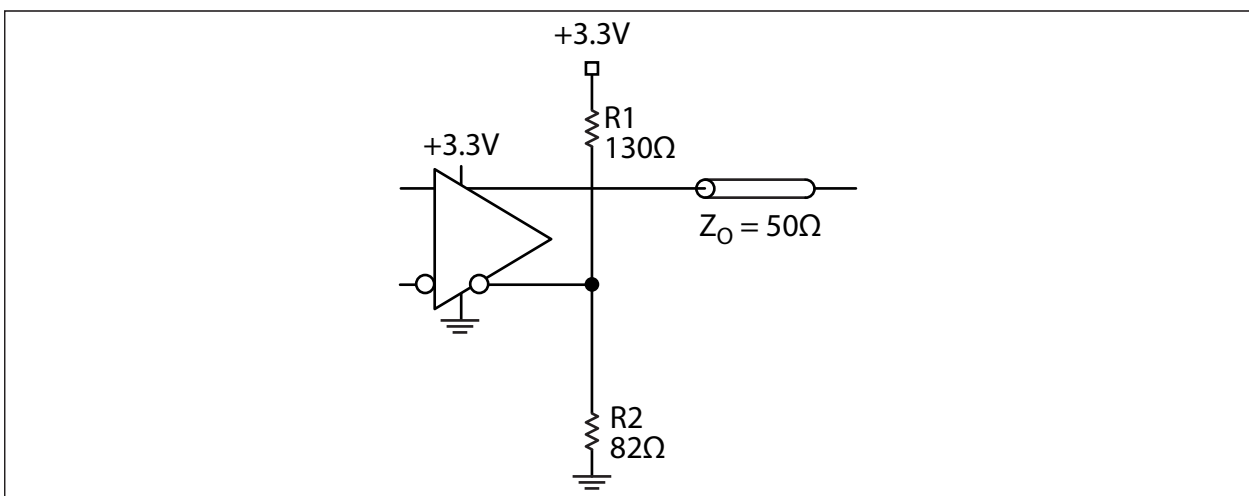
## 6.0 OUTPUT INTERFACE APPLICATIONS



**FIGURE 6-1:** Parallel Termination: Thevenin Equivalent.



**FIGURE 6-2:** Three-Resistor "Y-Termination".



**FIGURE 6-3:** Terminating Unused I/O.

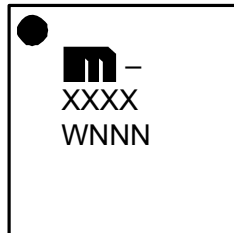
# SY58018U

---

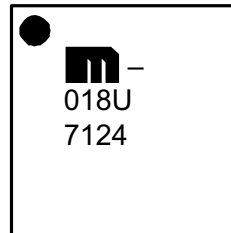
## 7.0 PACKAGING INFORMATION

### 7.1 Package Marking Information

16-Lead QFN\*



Example



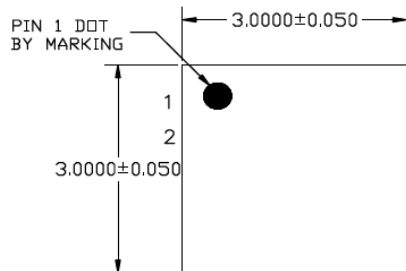
<b>Legend:</b>	XX...X	Product code or customer-specific information
	Y	Year code (last digit of calendar year)
	YY	Year code (last 2 digits of calendar year)
	WW	Week code (week of January 1 is week '01')
	NNN	Alphanumeric traceability code
	(e3)	Pb-free JEDEC® designator for Matte Tin (Sn)
	*	This package is Pb-free. The Pb-free JEDEC designator ((e3)) can be found on the outer packaging for this package.
	•, ▲, ▼	Pin one index is identified by a dot, delta up, or delta down (triangle mark).
<b>Note:</b>	In the event the full Microchip part number cannot be marked on one line, it will be carried over to the next line, thus limiting the number of available characters for customer-specific information. Package may or may not include the corporate logo.	
	Underbar (¯) and/or Overbar (¯) symbol may not be to scale.	

## 16-Lead QFN 3 mm x 3 mm Package Outline and Recommended Land Pattern

**TITLE**

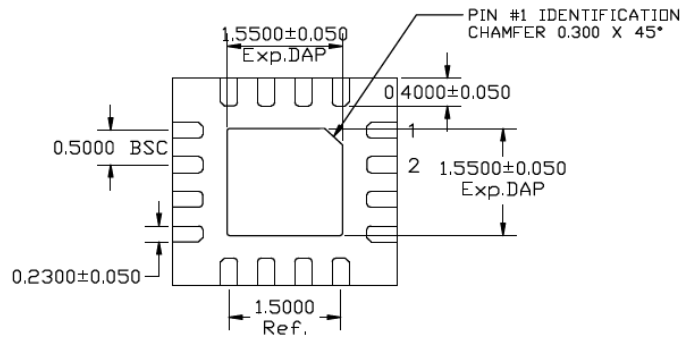
16 LEAD QFN 3x3mm PACKAGE OUTLINE & RECOMMENDED LAND PATTERN

DRAWING #	QFN33-16LD-PL-1	UNIT	MM
-----------	-----------------	------	----



TOP VIEW

NOTE: 1, 2, 3



BOTTOM VIEW

NOTE: 1, 2, 3



SIDE VIEW

NOTE: 1, 2, 3

**NOTE:**

1. MAX PACKAGE WARPAGE IS 0.05 MM
2. MAX ALLOWABLE BURR IS 0.076 MM IN ALL DIRECTIONS
3. PIN #1 IS ON TOP WILL BE LASER MARKED
4. RED CIRCLE IN LAND PATTERN INDICATE THERMAL VIA. SIZE SHOULD BE 0.30-0.35 MM IN DIAMETER AND SHOULD BE CONNECTED TO GND FOR MAX THERMAL PERFORMANCE
5. GREEN RECTANGLES (SHADED AREA) indicate SOLDER STENCIL OPENING ON EXPOSED PAD AREA. SIZE SHOULD BE 0.60x0.60 MM IN SIZE, 0.20 MM SPACING.

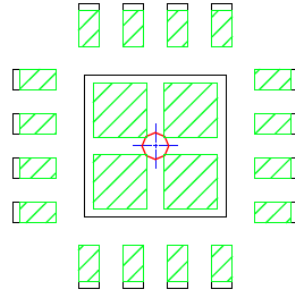
Note: For the most current package drawings, please see the Microchip Packaging Specification located at <http://www.microchip.com/packaging>.

# SY58018U

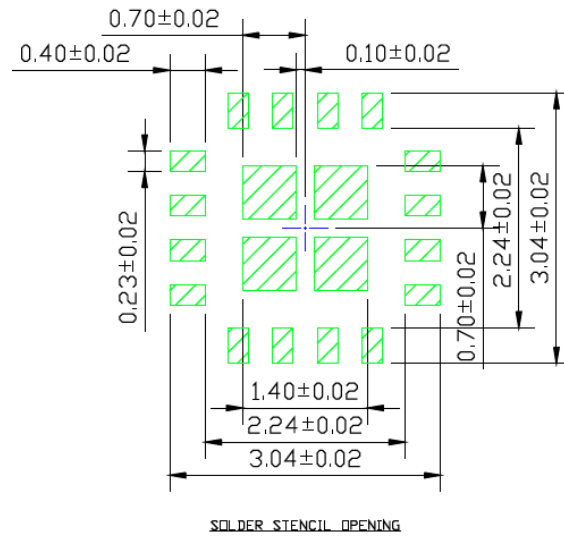
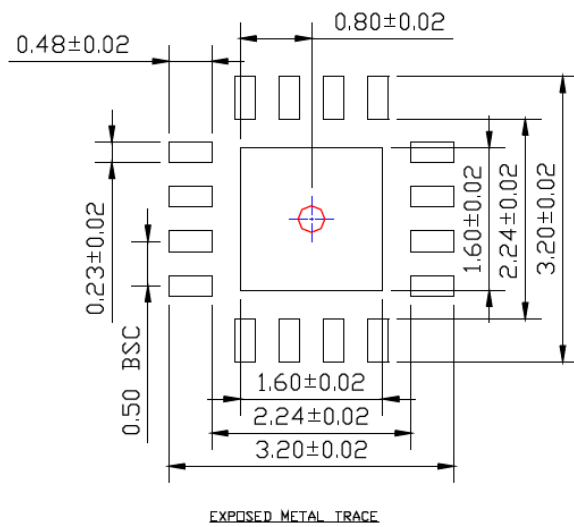
POD-Land Pattern drawing # QFN33-16LD-PL-1

## RECOMMENDED LAND PATTERN

NOTE: 4, 5



STACKED-UP



Note: For the most current package drawings, please see the Microchip Packaging Specification located at <http://www.microchip.com/packaging>.

## APPENDIX A: REVISION HISTORY

### Revision A (December 2019)

- Converted Micrel document SY58018U to Microchip data sheet template DS20006286A.
- Minor text changes throughout.

# SY58018U

---

NOTES:

## PRODUCT IDENTIFICATION SYSTEM

To order or obtain information, e.g., on pricing or delivery, contact your local Microchip representative or sales office.

<u>PART NO.</u>	<u>X</u>	<u>X</u>	<u>X</u>	<u>XX</u>
Device	Supply Voltage	Package	Temperature Range	Tape and Reel
<b>Device:</b>	SY58018:	Ultra-Precision Differential LVPECL 2:1 MUX with Internal Termination		
<b>Supply Voltage:</b>	U	=	2.5V/3.3V	
<b>Package:</b>	M	=	3 mm x 3 mm QFN-16 (NiPdAu Lead-Free)	
<b>Temperature Range:</b>	G	=	-40°C to 85°C	
<b>Special Processing:</b>	<blank>	=	100/Tube	
	TR	=	1,000/Reel	

<b>Examples:</b>	
a) SY58018UMG:	SY58018, 2.5V/3.3V Supply Voltage, 3 mm x 3 mm 16-Lead QFN, -40°C to +85°C Temperature Range, 100/Tube
b) SY58018UMG-TR:	SY58018, 2.5V/3.3V Supply Voltage, 3 mm x 3 mm 16-Lead QFN, -40°C to +85°C Temperature Range, 1,000/Reel

<b>Note 1:</b>	
Tape and Reel identifier only appears in the catalog part number description. This identifier is used for ordering purposes and is not printed on the device package. Check with your Microchip Sales Office for package availability with the Tape and Reel option.	

# SY58018U

---

NOTES:

---

---

**Note the following details of the code protection feature on Microchip devices:**

- Microchip products meet the specification contained in their particular Microchip Data Sheet.
- Microchip believes that its family of products is one of the most secure families of its kind on the market today, when used in the intended manner and under normal conditions.
- There are dishonest and possibly illegal methods used to breach the code protection feature. All of these methods, to our knowledge, require using the Microchip products in a manner outside the operating specifications contained in Microchip's Data Sheets. Most likely, the person doing so is engaged in theft of intellectual property.
- Microchip is willing to work with the customer who is concerned about the integrity of their code.
- Neither Microchip nor any other semiconductor manufacturer can guarantee the security of their code. Code protection does not mean that we are guaranteeing the product as “unbreakable.”

Code protection is constantly evolving. We at Microchip are committed to continuously improving the code protection features of our products. Attempts to break Microchip's code protection feature may be a violation of the Digital Millennium Copyright Act. If such acts allow unauthorized access to your software or other copyrighted work, you may have a right to sue for relief under that Act.

---

Information contained in this publication regarding device applications and the like is provided only for your convenience and may be superseded by updates. It is your responsibility to ensure that your application meets with your specifications. MICROCHIP MAKES NO REPRESENTATIONS OR WARRANTIES OF ANY KIND WHETHER EXPRESS OR IMPLIED, WRITTEN OR ORAL, STATUTORY OR OTHERWISE, RELATED TO THE INFORMATION, INCLUDING BUT NOT LIMITED TO ITS CONDITION, QUALITY, PERFORMANCE, MERCHANTABILITY OR FITNESS FOR PURPOSE. Microchip disclaims all liability arising from this information and its use. Use of Microchip devices in life support and/or safety applications is entirely at the buyer's risk, and the buyer agrees to defend, indemnify and hold harmless Microchip from any and all damages, claims, suits, or expenses resulting from such use. No licenses are conveyed, implicitly or otherwise, under any Microchip intellectual property rights unless otherwise stated.

### Trademarks

The Microchip name and logo, the Microchip logo, Adaptec, AnyRate, AVR, AVR logo, AVR Freaks, BesTime, BitCloud, chipKIT, chipKIT logo, CryptoMemory, CryptoRF, dsPIC, FlashFlex, flexPWR, HELDO, IGLOO, JukeBlox, KeeLoq, Klear, LANCheck, LinkMD, maXStylus, maXTouch, MediaLB, megaAVR, Microsemi, Microsemi logo, MOST, MOST logo, MPLAB, OptoLyzer, PackeTime, PIC, picoPower, PICSTART, PIC32 logo, PolarFire, Prochip Designer, QTouch, SAM-BA, SenGenuity, SpyNIC, SST, SST Logo, SuperFlash, Symmetricom, SyncServer, Tachyon, TempTrackr, TimeSource, tinyAVR, UNI/O, Vectron, and XMEGA are registered trademarks of Microchip Technology Incorporated in the U.S.A. and other countries.

APT, ClockWorks, The Embedded Control Solutions Company, EtherSynch, FlashTec, Hyper Speed Control, HyperLight Load, IntelliMOS, Libero, motorBench, mTouch, Powermite 3, Precision Edge, ProASIC, ProASIC Plus, ProASIC Plus logo, Quiet-Wire, SmartFusion, SyncWorld, Temux, TimeCesium, TimeHub, TimePictra, TimeProvider, Vite, WinPath, and ZL are registered trademarks of Microchip Technology Incorporated in the U.S.A.

Adjacent Key Suppression, AKS, Analog-for-the-Digital Age, Any Capacitor, AnyIn, AnyOut, BlueSky, BodyCom, CodeGuard, CryptoAuthentication, CryptoAutomotive, CryptoCompanion, CryptoController, dsPICDEM, dsPICDEM.net, Dynamic Average Matching, DAM, ECAN, EtherGREEN, In-Circuit Serial Programming, ICSP, INICnet, Inter-Chip Connectivity, JitterBlocker, KlearNet, KlearNet logo, memBrain, Mindi, MiWi, MPASM, MPF, MPLAB Certified logo, MPLIB, MPLINK, MultiTRAK, NetDetach, Omniscient Code Generation, PICDEM, PICDEM.net, PICKit, PICtail, PowerSmart, PureSilicon, QMatrix, REAL ICE, Ripple Blocker, SAM-ICE, Serial Quad I/O, SMART-I.S., SQI, SuperSwitcher, SuperSwitcher II, Total Endurance, TSHARC, USBCheck, VariSense, ViewSpan, WiperLock, Wireless DNA, and ZENA are trademarks of Microchip Technology Incorporated in the U.S.A. and other countries.

SQTP is a service mark of Microchip Technology Incorporated in the U.S.A.

The Adaptec logo, Frequency on Demand, Silicon Storage Technology, and Symmcom are registered trademarks of Microchip Technology Inc. in other countries.

GestIC is a registered trademark of Microchip Technology Germany II GmbH & Co. KG, a subsidiary of Microchip Technology Inc., in other countries.

All other trademarks mentioned herein are property of their respective companies.

© 2019, Microchip Technology Incorporated, All Rights Reserved.

ISBN: 978-1-5224-5387-1

For information regarding Microchip's Quality Management Systems, please visit [www.microchip.com/quality](http://www.microchip.com/quality).



# MICROCHIP

## Worldwide Sales and Service

### AMERICAS

**Corporate Office**  
2355 West Chandler Blvd.  
Chandler, AZ 85224-6199  
Tel: 480-792-7200  
Fax: 480-792-7277  
Technical Support:  
<http://www.microchip.com/support>  
Web Address:  
[www.microchip.com](http://www.microchip.com)

#### Atlanta

Duluth, GA  
Tel: 678-957-9614  
Fax: 678-957-1455

#### Austin, TX

Tel: 512-257-3370

#### Boston

Westborough, MA  
Tel: 774-760-0087  
Fax: 774-760-0088

#### Chicago

Itasca, IL  
Tel: 630-285-0071  
Fax: 630-285-0075

#### Dallas

Addison, TX  
Tel: 972-818-7423  
Fax: 972-818-2924

#### Detroit

Novi, MI  
Tel: 248-848-4000

#### Houston, TX

Tel: 281-894-5983

#### Indianapolis

Noblesville, IN  
Tel: 317-773-8323  
Fax: 317-773-5453  
Tel: 317-536-2380

#### Los Angeles

Mission Viejo, CA  
Tel: 949-462-9523  
Fax: 949-462-9608  
Tel: 951-273-7800

#### Raleigh, NC

Tel: 919-844-7510

#### New York, NY

Tel: 631-435-6000

#### San Jose, CA

Tel: 408-735-9110  
Tel: 408-436-4270

#### Canada - Toronto

Tel: 905-695-1980  
Fax: 905-695-2078

### ASIA/PACIFIC

**Australia - Sydney**  
Tel: 61-2-9868-6733

**China - Beijing**  
Tel: 86-10-8569-7000

**China - Chengdu**  
Tel: 86-28-8665-5511

**China - Chongqing**  
Tel: 86-23-8980-9588

**China - Dongguan**  
Tel: 86-769-8702-9880

**China - Guangzhou**  
Tel: 86-20-8755-8029

**China - Hangzhou**  
Tel: 86-571-8792-8115

**China - Hong Kong SAR**  
Tel: 852-2943-5100

**China - Nanjing**  
Tel: 86-25-8473-2460

**China - Qingdao**  
Tel: 86-532-8502-7355

**China - Shanghai**  
Tel: 86-21-3326-8000

**China - Shenyang**  
Tel: 86-24-2334-2829

**China - Shenzhen**  
Tel: 86-755-8864-2200

**China - Suzhou**  
Tel: 86-186-6233-1526

**China - Wuhan**  
Tel: 86-27-5980-5300

**China - Xian**  
Tel: 86-29-8833-7252

**China - Xiamen**  
Tel: 86-592-2388138

**China - Zhuhai**  
Tel: 86-756-3210040

### ASIA/PACIFIC

**India - Bangalore**  
Tel: 91-80-3090-4444

**India - New Delhi**  
Tel: 91-11-4160-8631

**India - Pune**  
Tel: 91-20-4121-0141

**Japan - Osaka**  
Tel: 81-6-6152-7160

**Japan - Tokyo**  
Tel: 81-3-6880-3770

**Korea - Daegu**  
Tel: 82-53-744-4301

**Korea - Seoul**  
Tel: 82-2-554-7200

**Malaysia - Kuala Lumpur**  
Tel: 60-3-7651-7906

**Malaysia - Penang**  
Tel: 60-4-227-8870

**Philippines - Manila**  
Tel: 63-2-634-9065

**Singapore**  
Tel: 65-6334-8870

**Taiwan - Hsin Chu**  
Tel: 886-3-577-8366

**Taiwan - Kaohsiung**  
Tel: 886-7-213-7830

**Taiwan - Taipei**  
Tel: 886-2-2508-8600

**Thailand - Bangkok**  
Tel: 66-2-694-1351

**Vietnam - Ho Chi Minh**  
Tel: 84-28-5448-2100

### EUROPE

**Austria - Wels**  
Tel: 43-7242-2244-39  
Fax: 43-7242-2244-393

**Denmark - Copenhagen**  
Tel: 45-4450-2828  
Fax: 45-4485-2829

**Finland - Espoo**  
Tel: 358-9-4520-820

**France - Paris**  
Tel: 33-1-69-53-63-20  
Fax: 33-1-69-30-90-79

**Germany - Garching**  
Tel: 49-8931-9700

**Germany - Haan**  
Tel: 49-2129-3766400

**Germany - Heilbronn**  
Tel: 49-7131-72400

**Germany - Karlsruhe**  
Tel: 49-721-625370

**Germany - Munich**  
Tel: 49-89-627-144-0  
Fax: 49-89-627-144-44

**Germany - Rosenheim**  
Tel: 49-8031-354-560

**Israel - Ra'anana**  
Tel: 972-9-744-7705

**Italy - Milan**  
Tel: 39-0331-742611  
Fax: 39-0331-466781

**Italy - Padova**  
Tel: 39-049-7625286

**Netherlands - Drunen**  
Tel: 31-416-690399  
Fax: 31-416-690340

**Norway - Trondheim**  
Tel: 47-7288-4388

**Poland - Warsaw**  
Tel: 48-22-3325737

**Romania - Bucharest**  
Tel: 40-21-407-87-50

**Spain - Madrid**  
Tel: 34-91-708-08-90  
Fax: 34-91-708-08-91

**Sweden - Gothenberg**  
Tel: 46-31-704-60-40

**Sweden - Stockholm**  
Tel: 46-8-5090-4654

**UK - Wokingham**  
Tel: 44-118-921-5800  
Fax: 44-118-921-5820

# Mouser Electronics

Authorized Distributor

Click to View Pricing, Inventory, Delivery & Lifecycle Information:

[Microchip:](#)

[SY58018UMG TR](#) [SY58018UMG](#) [SY58018UMG-TR](#)