

# AI 16 -12 BU - Ferrule

3200564

<https://www.phoenixcontact.com/us/products/3200564>



Please be informed that the data shown in this PDF document is generated from our Online Catalog. Please find the complete data in the user documentation. Our General Terms of Use for Downloads are valid.

Ferrule, sleeve length: 12 mm, length: 24 mm, color: blue



## Your advantages

- The insulation reliability of close connections is increased and the splicing of wires is prevented
- The ferrules with plastic sleeve are made from soft tin-plated electrolytic copper
- The AI 0,25.. ferrules can also be used to process 0.14 mm<sup>2</sup> conductors

## Commercial Data

Item number	3200564
Packing unit	1 pc
Minimum order quantity	100 pc
Sales Key	BH34
Product Key	BH3411
Catalog Page	Page 481 (C-3-2019)
GTIN	4017918094171
Weight per Piece (including packing)	0.774 g
Weight per Piece (excluding packing)	0.731 g
Customs tariff number	85369010
Country of origin	DE

# AI 16 -12 BU - Ferrule



3200564

<https://www.phoenixcontact.com/us/products/3200564>

## Technical Data

### Product properties

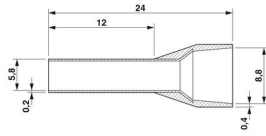
Product type	Cable end sleeve
Set comprises	1202580 CRIMPSET 25
Conductor category	stranded conductors, class 2, 5, 6 / B, C, K, M

### Connection data

#### Conductor connection

Conductor cross section flexible max.	16 mm <sup>2</sup>
Conductor cross section AWG max.	6
Stripping length	16 mm

### Dimensions

Dimensional drawing	
Length	24 mm
Sleeve length	12 mm
Maximum stripping length	16 mm
Ferrule diameter	5.8 mm
Sleeve wall thickness	0.2 mm
Insulating collar thickness	0.4 mm
Inner dimensions of the insulating collar	8.8 mm

### Material specifications

Color	blue
Material	CU-DHP
Flammability rating according to UL 94	HB
Coating	tin-plated (galvanic)
Components	free from silicone and halogen

### Mechanical properties

#### Technical data

Sleeve length	12 mm
---------------	-------

### Environmental and real-life conditions

#### Ambient conditions

Permanent temperature	105 °C (-40 °C no load / 0 °C dynamic load)
Short-term temperature	120 °C

# AI 16 -12 BU - Ferrule

3200564

<https://www.phoenixcontact.com/us/products/3200564>



## Standards and regulations

Design according to standard

DIN 46228-4, UL 486F-E

# AI 16 -12 BU - Ferrule

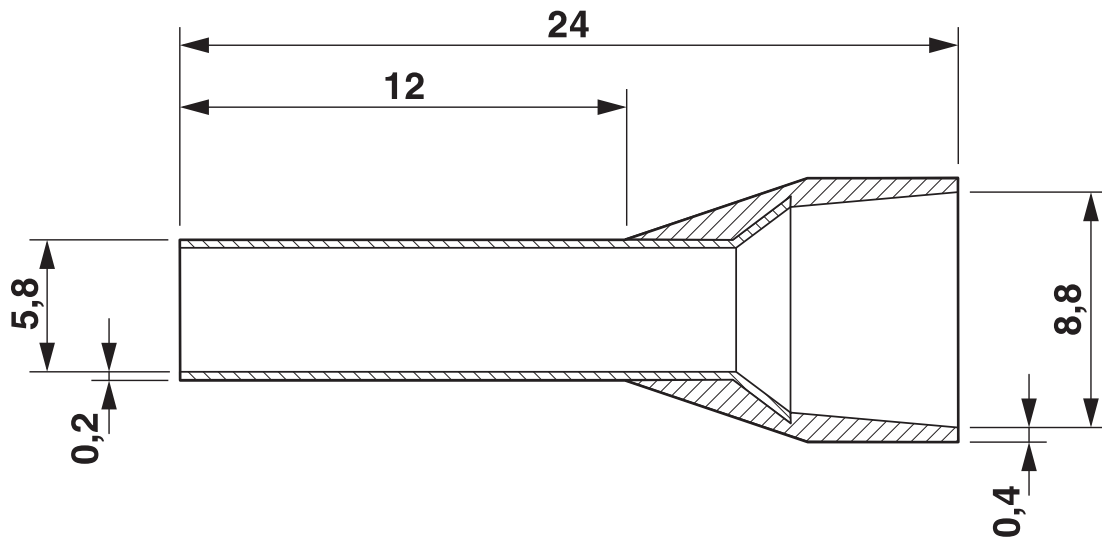
3200564

<https://www.phoenixcontact.com/us/products/3200564>



## Drawings

Dimensional drawing



# AI 16 -12 BU - Ferrule

3200564

<https://www.phoenixcontact.com/us/products/3200564>



## Approvals



**UL Listed**

Approval ID: E488001



**cUL Listed**

Approval ID: E488001

# AI 16 -12 BU - Ferrule

3200564

<https://www.phoenixcontact.com/us/products/3200564>



## Classifications

### ECLASS

ECLASS-11.0	27400201
ECLASS-13.0	Aderendhulse
ECLASS-13.0	Aderendhulse
ECLASS-13.0	Aderendhulse

### ETIM

ETIM 8.0	EC000005
----------	----------

### UNSPSC

UNSPSC 21.0	27121700
-------------	----------

# AI 16 -12 BU - Ferrule

3200564

<https://www.phoenixcontact.com/us/products/3200564>



## Environmental Product Compliance

China RoHS	Environmentally friendly use period: unlimited = EFUP-e No hazardous substances above threshold values
------------	---

Phoenix Contact 2023 © - all rights reserved  
<https://www.phoenixcontact.com>

Phoenix Contact USA  
586 Fulling Mill Road  
Middletown, PA 17057, United States  
(+717) 944-1300  
[info@phoenixcon.com](mailto:info@phoenixcon.com)