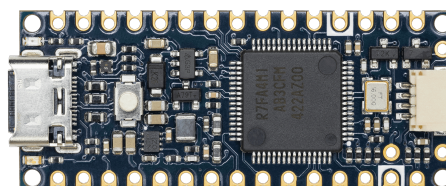




User Manual
SKU: ABX00142



Description

The Arduino® Nano R4 is a Nano form factor board based on the RA4M1 series microcontroller from Renesas (R7FA4M1AB3CFM#HA0), which embeds a 48 MHz Arm® Cortex®-M4 microprocessor. The Nano R4's memory is larger than its predecessors, with 256 kB flash, 32 kB SRAM and 8 kB data memory (EEPROM). The Nano R4 board operates at 5 V, making it hardware compatible with Nano form factor accessories with the same operating voltage.

The Nano R4 is available in two variants: without headers (SKU: ABX00142) and with pre-installed headers (SKU: ABX00143).

Leverage the on-board Qwiic connector for seamless integration with Modulinos, enabling quick and reliable expansion of your project.

Target areas:

Digital Signal Processing, System on Module, Edge Computing, Rapid Prototyping



Contents

1 Application Examples	4
2 Features	4
2.1 General Specifications Overview	4
2.2 Microcontroller	5
2.3 USB-C® Connector	5
2.4 Digital Analog Converter (DAC)	5
2.5 Operational Amplifier (OPAMP)	6
2.6 Qwiic I2C Connector	6
2.7 Realtime Clock (RTC)	7
2.8 Board Actuators	7
2.9 Related Products	7
3 Ratings	8
3.1 Recommended Operating Conditions	8
3.2 Power Options	8
3.2.1 Power Tree	9
3.3 GPIO Voltage	9
3.4 GPIO Current	9
3.5 RTC Battery Backup	10
4 Functional Overview	11
4.1 Pinout	11
4.1.1 Analog (JP1)	12
4.1.2 Digital (JP2)	12
4.2 Block Diagram	13
5 Board Topology	14
5.1 Overall View	14
6 Device Operation	15
6.1 Getting Started - IDE	15
6.2 Getting Started - Arduino Cloud Editor	15
6.3 Online Resources	15
6.4 Board Recovery	15
7 Mechanical Information	16
7.1 Board Dimensions	16
7.2 Board Connectors	17



8 Certifications	18
8.1 Certifications Summary	18
8.2 Declaration of Conformity CE DoC (EU)	18
8.3 Declaration of Conformity to EU RoHS & REACH 211 01/19/2021	18
8.4 Conflict Minerals Declaration	19
8.5 FCC Caution	19
9 Company Information	20
10 Reference Documentation	20
11 Change Log	20



1 Application Examples

Effortless Transition: Move seamlessly from prototyping to production with the familiar RA4M1 microcontroller present already in the UNO R4 family.

Entry level projects: If this is your first project within coding and electronics, the Nano R4 is a good fit. It is easy to get started with and has a lot of online documentation (both official + community).

Easy power management: The Nano R4 supports input voltages from 6 to 21 V. It removes the need for additional circuitry required to step down the voltage.

Enhanced Connectivity: Features an onboard Qwiic connector for easy integration with a wide range of sensors and peripherals. Exposing a new I2C connection apart from the standard one found on A4 and A5 pins. The Qwiic connector makes the Nano R4 compatible with the Arduino Modulino boards.

Cross compatibility: The Nano form factor automatically makes it compatible with hundreds of existing third-party shields and other official accessories.

2 Features

2.1 General Specifications Overview

The Nano R4 is an evolution of its predecessor, the Nano Classic, which was previously based on 8-bit AVR microcontrollers. There are thousands of guides, tutorials and books written about the Nano board, where Nano R4 continues its legacy.

The board features the standard 14x digital I/O ports, 8x analog channels, dedicated pins for I2C, SPI and UART connections. Compared to its predecessors the board has a much larger memory: 8x times more flash memory (256 kB) and 16x times more SRAM (32 kB).

Feature	Description
Microcontroller	R7FA4M1AB3CFM 32-bit Arm® Cortex®-M4
Frequency	48 MHz
Internal Memory	256 kB Flash/32 kB RAM/8 kB EEPROM
USB Connectivity	USB-C® port for power and data
Power	Input voltage (VIN): 6-21 V / Power via USB-C® at 5 V
Digital Inputs	GPIO (21x - All exposed I/O can be used as digital), PWM (6x)
Analog Inputs	14-bit ADC (8x)
Real-time Clock (RTC)	Yes (external crystal oscillator included)
Communication	Serial interfaces (2x: Serial over USB, Serial1 on D0/D1), I2C (2x) (5 V over breakout and 3.3 V over Qwiic), SPI (1x), CAN (external transceiver required) (1x)

| Dimensions | 18 mm x 45 mm | | Operating Temperature | -40 °C to +85 °C |

2.2 Microcontroller

The Nano R4 is based on the 32-bit RA4M1 series microcontroller, **R7FA4M1AB3CFM#HA0**, from Renesas, which uses a 48 MHz Arm® Cortex®-M4 microprocessor with a floating point unit (FPU).

On the Nano R4, the operating voltage is fixed at 5 V to be fully retro compatible with shields, accessories and circuits originally designed for older Nano revisions.

Component	Details
R7FA4M1AB3CFM Processor	Arm® Cortex®-M4 core at up to 48 MHz
Flash Memory	256 kB of Flash Memory
Programming Memory	32 kB of RAM
Data Memory	8 kB of EEPROM
Real-time Clock (RTC)	Yes (external crystal oscillator included)
Direct Memory Access Controller (DMAC)	Yes (4x)
ADC	Yes (14-bit)
DAC	Yes (12-bit)
Operational Amplifier (OPAMP)	Yes (ranges specified on dedicated section)
CAN bus	Yes (external transceiver required)

For more technical details on this microcontroller, visit [Renesas - RA4M1 series official documentation](#).

2.3 USB-C® Connector

The Nano R4 has one USB-C® port, used to power and program your board as well as send and receive serial communication.

You should not power the board with more than **5 V** via the USB-C® port.

2.4 Digital Analog Converter (DAC)

The Nano R4 has a DAC with up to 12-bit resolution attached to the A0 analog pin. A DAC is used to convert a digital signal to an analog signal.

2.5 Operational Amplifier (OPAMP)

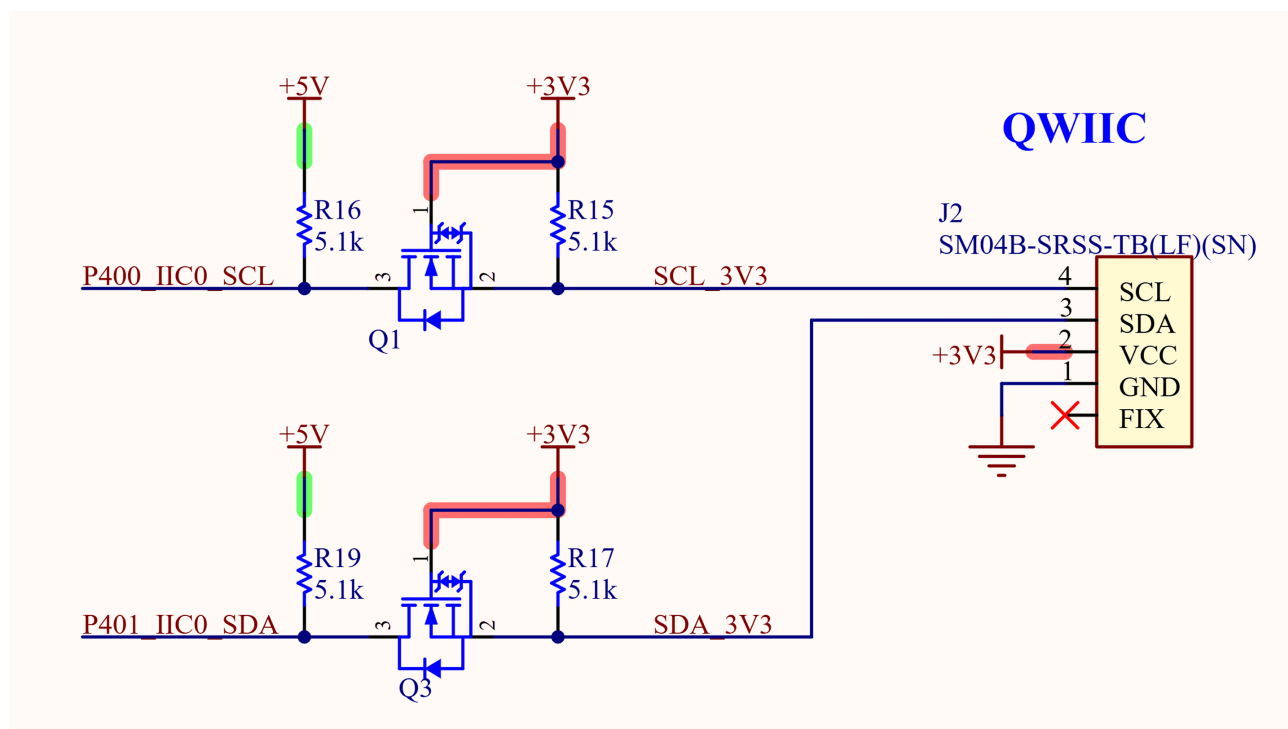
The Nano R4 features one Operational Amplifier accessible through the board analog pins. See the pinout section for details.

Parameter	Conitions	Min	Typ	Max	Unit
Common mode input range	Low power mode	0.2	-	VCC-0.5	V
Common mode input range	High-speed mode	0.3	-	VCC-0.6	V
Output voltage range	Low power mode	0.1	-	VCC-0.1	V
Output voltage range	High-speed mode	0.1	-	VCC-0.1	V

2.6 Qwiic I2C Connector

The I2C Qwiic connector SM04B-SRSS-TB(LF)(SN) is connected to a secondary I2C bus (I2C0) on the board. This connector is powered via 3.3 V following the Qwiic standard system and makes the Nano R4 compatible with the Arduino Modulino nodes.

The Qwiic connector logic level is fixed to 3.3 V, and it is translated to 5 V to communicate with the RA4M1 microcontroller as illustrated in the figure below:



Arduino Nano R4 Qwiic Connector

Note: The Qwiic I2C bus object is `Wire1` and the standard I2C bus object is `Wire`.

The standard I2C is accessible through the Nano breakout pins A4 for SDA and A5 for SCL as its predecessors.

A4 and A5 are connected to the main I2C bus, these pins should not be used as ADC inputs whenever the bus is in use. You can however connect I2C devices to each of these pins and connectors simultaneously.

2.7 Realtime Clock (RTC)

The Nano R4 features a Real-time Clock allowing you to keep accurate time (date and clock), even when the board is powered off. This is ideal for data logging, scheduling tasks, or timestamping events.

The Realtime Clock (RTC) has two counting modes: calendar count mode and binary count mode, both are controlled by the register settings.

- For calendar count mode, the RTC has a 100-year calendar from 2000 to 2099 and automatically adjusts dates for leap years.
- For binary count mode, the RTC counts seconds and retains the information as a serial value. Binary count mode can be used for calendars other than the Gregorian (Western) calendar.

The Nano R4 features an external 16 MHz crystal oscillator that improve considerably the accuracy of the RTC and other sub-clock dependent peripherals.

2.8 Board Actuators

The Nano R4 features an RGB LED and single color built-in LED, both can be controlled through the Nano R4 GPIOs. See the pinout section for a detailed overview.

2.9 Related Products

- Arduino Nano (A000005)
- Arduino® UNO R4 Minima (ABX00080)
- Arduino® UNO R4 WiFi (ABX00087)
- Arduino Modulino nodes
- Nano Connector Carrier (ASX00061)

3 Ratings

3.1 Recommended Operating Conditions

The table below provides a guideline for the optimal use of the Nano R4 board, outlining typical operating conditions and design limits. The operating conditions of the Nano R4 are largely a function based on its component's specifications.

Symbol	Description	Min	Typ	Max	Unit
V_{IN}	Input voltage (VIN pin)	6.0	7.0	21.0	VDC
V_{USB}	Input voltage (USB connector)	4.8	5.0	5.5	VDC
I_{USB}	Input current (USB connector)	-	-	500	mA
T_{OP}	Operating temperature	-40	25	85	°C

¹USB current is limited by USB 2.0 specification (500 mA maximum).

Note: V_{DD} controls the logic level and is connected to the +5 VDC power rail. V_{AREF} sets the reference voltage for the analog-to-digital converter (ADC).

3.2 Power Options

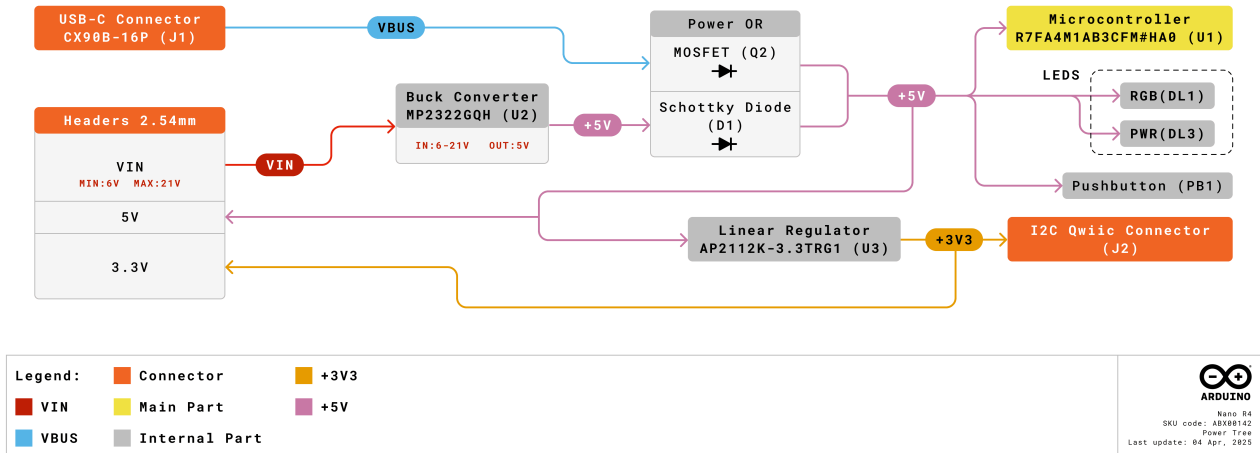
Power can either be supplied via the VIN pin, or via USB-C® connector. If power is supplied via VIN, the MP2322GQH buck converter steps the voltage down to 5 V.

A power OR circuit manages the selection between the USB and the +5 VDC output of the buck converter supplied from VIN, automatically routing the available voltage to the system's main power rail.

When using the 3V3 pin to power external peripherals, notice that above 150 mA the board may become very hot due to LDO regulator functioning basis.

3.2.1 Power Tree

The following diagram illustrates the Nano R4 main system power architecture.



Arduino Nano R4 Power Tree

3.3 GPIO Voltage

The Nano R4 operates at 5 V as do all pins on this board except for the **Qwiic** connector that works at **3.3 V**. This connector draws power from the AP2112K-3.3TRG1 regulator.

3.4 GPIO Current

The GPIOs on the R7FA4M1AB3CFM microcontroller can handle up to **8 mA**. Never connect devices that draw higher current directly to a GPIO.

In case you need to drive external devices that require more current, e.g. high brightness LEDs, use an external current amplifier interface (e.g. a MOSFET or a transistor).



3.5 RTC Battery Backup

The Nano R4 features a battery backup function. It can be powered through the **VBATT** pin (see pinout section). The battery backup will power the RTC, the 32.768 kHz oscillators, the wakeup control and the backup memory.

During normal operation, the battery powered area is powered by the main power supply, which is the VCC pin. When a VCC voltage drop is detected, the power source is switched to the dedicated battery backup power pin, the VBATT pin. When the voltage rises again, the power source is switched from the VBATT pin to the VCC pin.

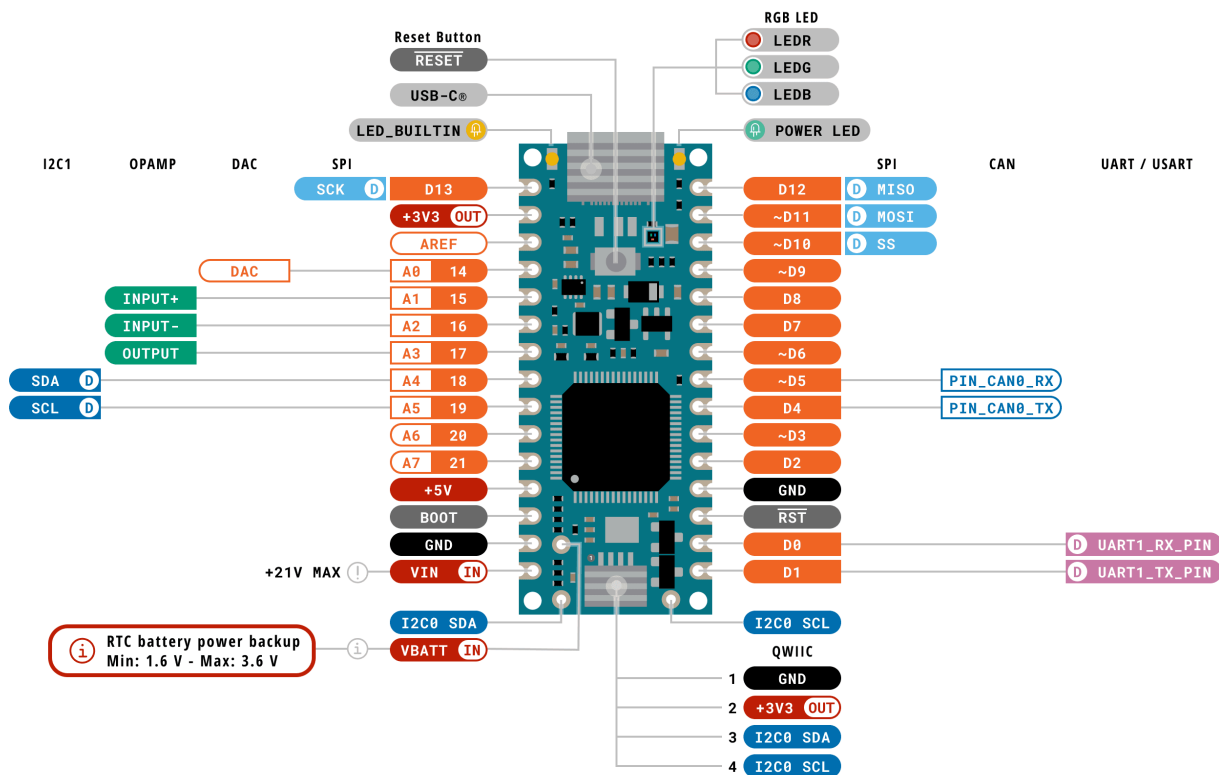
Parameter	Min	Typ	Max	Unit
VBATT power supply voltage	1.6	-	3.6	V
Voltage level for switching to battery backup (falling)	1.99	2.09	2.19	V

4 Functional Overview

The core of the Nano R4 is the R7FA4M1AB3CFM microcontroller from Renesas. The board also contains several peripherals connected to its microcontroller.

4.1 Pinout

The Nano breakout connectors pinout is shown in the following figure.



Legend:	■ Digital	■ SPI	■ Internal Component
■ Power	□ Analog	■ UART/USART	■ Other Pins
■ Ground	■ I2C	D Default	■ OPAMP

Nano R4
SKU code: ABX00142
Pinout
Last update: 11 Jul, 2025

Pinout for Nano R4



4.1.1 Analog (JP1)

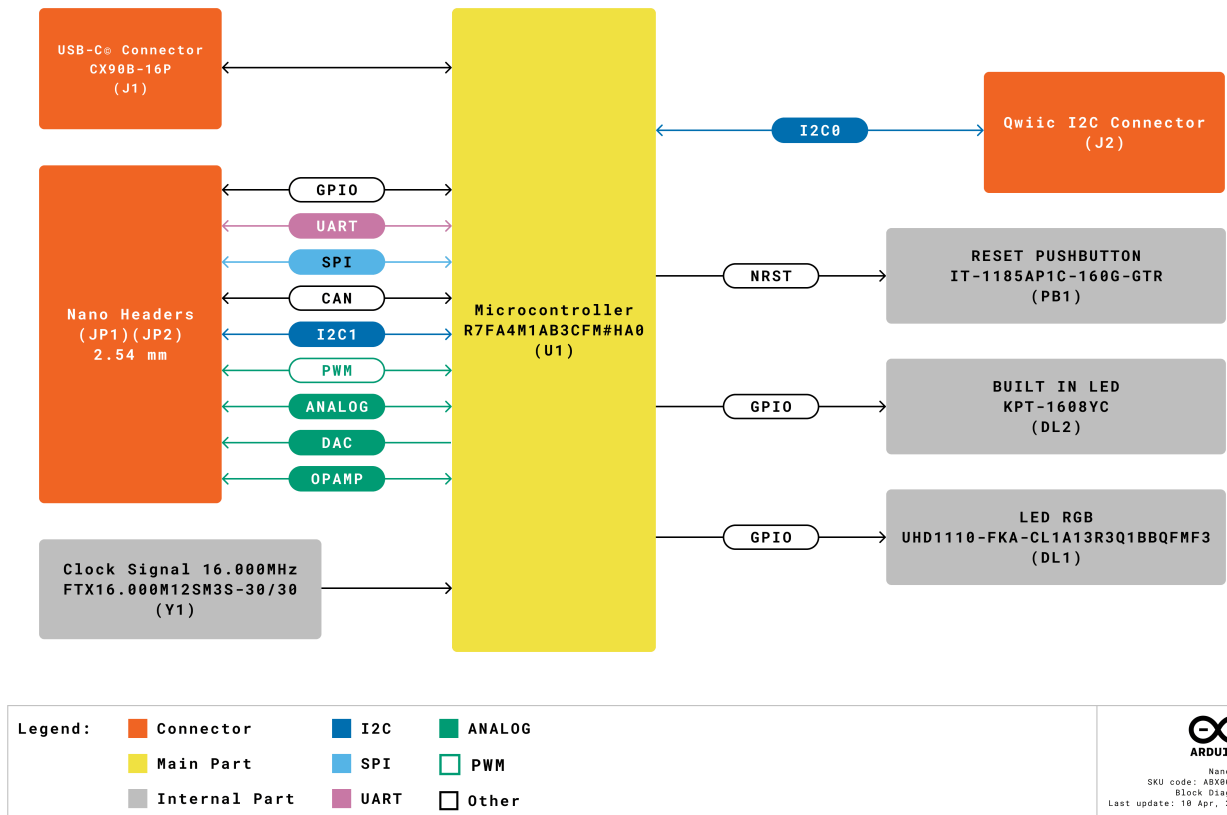
Pin	Function	Type	Description
1	D13 / SCK	Digital	Serial Clock
2	+3V3	Power Out	+3V3 Power Rail
3	AREF	Analog	Analog Voltage Reference
4	A0	Analog	Analog input 0 / DAC
5	A1	Analog	Analog input 1 / OPAMP +
6	A2	Analog	Analog input 2 / OPAMP -
7	A3	Analog	Analog input 3 / OPAMP Out
8	A4	Analog	Analog input 4 / I ² C Serial Data (SDA)
9	A5	Analog	Analog input 5 / I ² C Serial Clock (SCL)
10	A6	Analog	Analog input 6
11	A7	Analog	Analog input 7
12	5V	Power	USB power (5 V)
13	BOOT	Mode	Mode selection
14	GND	Power	Ground
15	VIN	Power	Voltage Input

4.1.2 Digital (JP2)

Pin	Function	Type	Description
15	D12 / CIPO	Digital	Controller In Peripheral Out
14	D11 / COPI	Digital	Controller Out Peripheral In / PWM
13	D10 / CS	Digital	Chip Select / PWM
12	D9	Digital	Digital pin 9 / PWM
11	D8	Digital	Digital pin 8
10	D7	Digital	Digital pin 7
9	D6	Digital	Digital pin 6 / PWM
8	D5	Digital	Digital pin 5 / PWM / CAN (RX)
7	D4	Digital	Digital pin 4 / CAN (TX)
6	D3	Digital	Digital pin 3 / PWM
5	D2	Digital	Digital pin 2
4	GND	Power	Ground
3	RST	Internal	Reset (features a button)
2	D0/RX	Digital	Digital pin 0 / Serial Receiver (RX)
1	D1/TX	Digital	Digital pin 1 / Serial Transmitter (TX)

4.2 Block Diagram

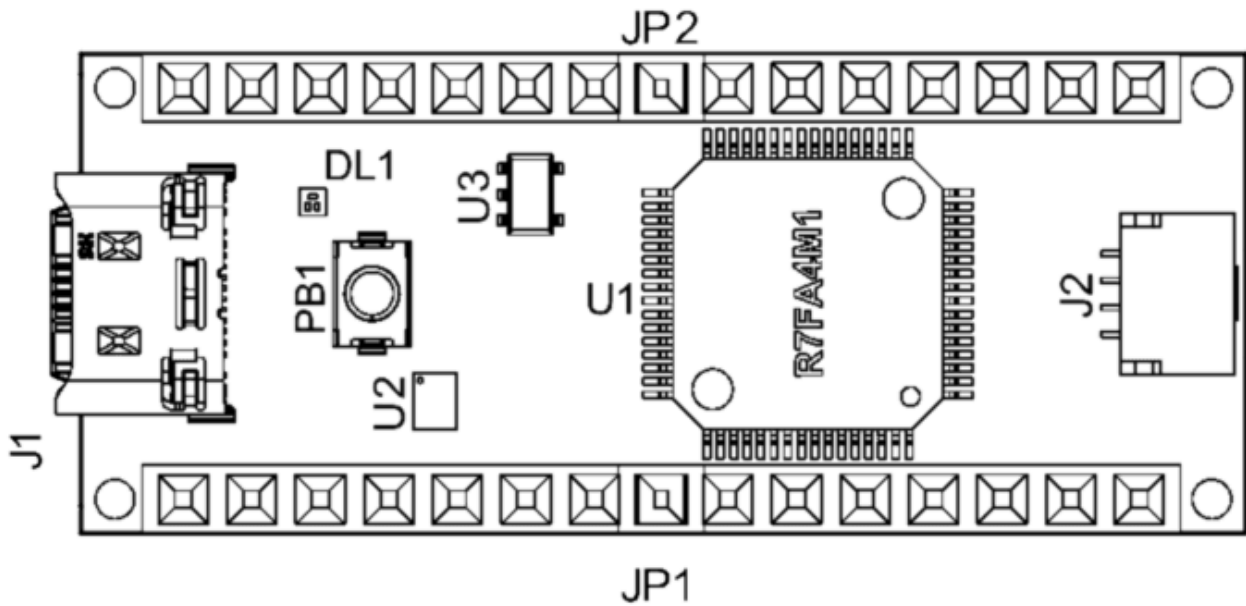
An overview of the Nano R4 high-level architecture is illustrated in the figure below.



Arduino Nano R4 Block Diagram

5 Board Topology

5.1 Overall View



Top View of Arduino Nano R4

Reference	Description
U1	R7FA4M1AB3CFM Microcontroller IC
U2	MP2322GQH Buck Converter
U3	AP2112K-3.3TRG1 Dropout linear regulator
PB1	RESET Button
JP1	Analog input/output headers
JP2	Digital input/output headers
J1	CX90B-16P USB-C® connector
J2	I2C Qwiic connector
DL1	RGB LED



6 Device Operation

6.1 Getting Started - IDE

If you want to program your Nano R4 while offline you need to install the Arduino® Desktop IDE **[1]**. To connect the Nano R4 to your computer, you will need a Type-C® USB cable, which can also provide power to the board, as indicated by the LED (DL3).

6.2 Getting Started - Arduino Cloud Editor

All Arduino boards, including this one, work out-of-the-box on the Arduino Cloud Editor **[2]**, by just installing a simple plugin.

The Arduino Cloud Editor is hosted online, therefore it will always be up-to-date with the latest features and support for all boards. Follow **[3]** to start coding on the browser and upload sketches onto your board.

6.3 Online Resources

Now that you have gone through the basics of what you can do with the board you can explore the endless possibilities it provides by checking exciting projects on Arduino Project Hub **[4]**, the Arduino Library Reference **[5]**, and the online store **[6]**; where you will be able to complement your board with sensors, actuators and more.

6.4 Board Recovery

All Arduino boards have a built-in bootloader which allows flashing the board via USB. In case a sketch locks up the processor and the board is not reachable anymore via USB, it is possible to enter bootloader mode by double-tapping the reset button right after the power-up.

7 Mechanical Information

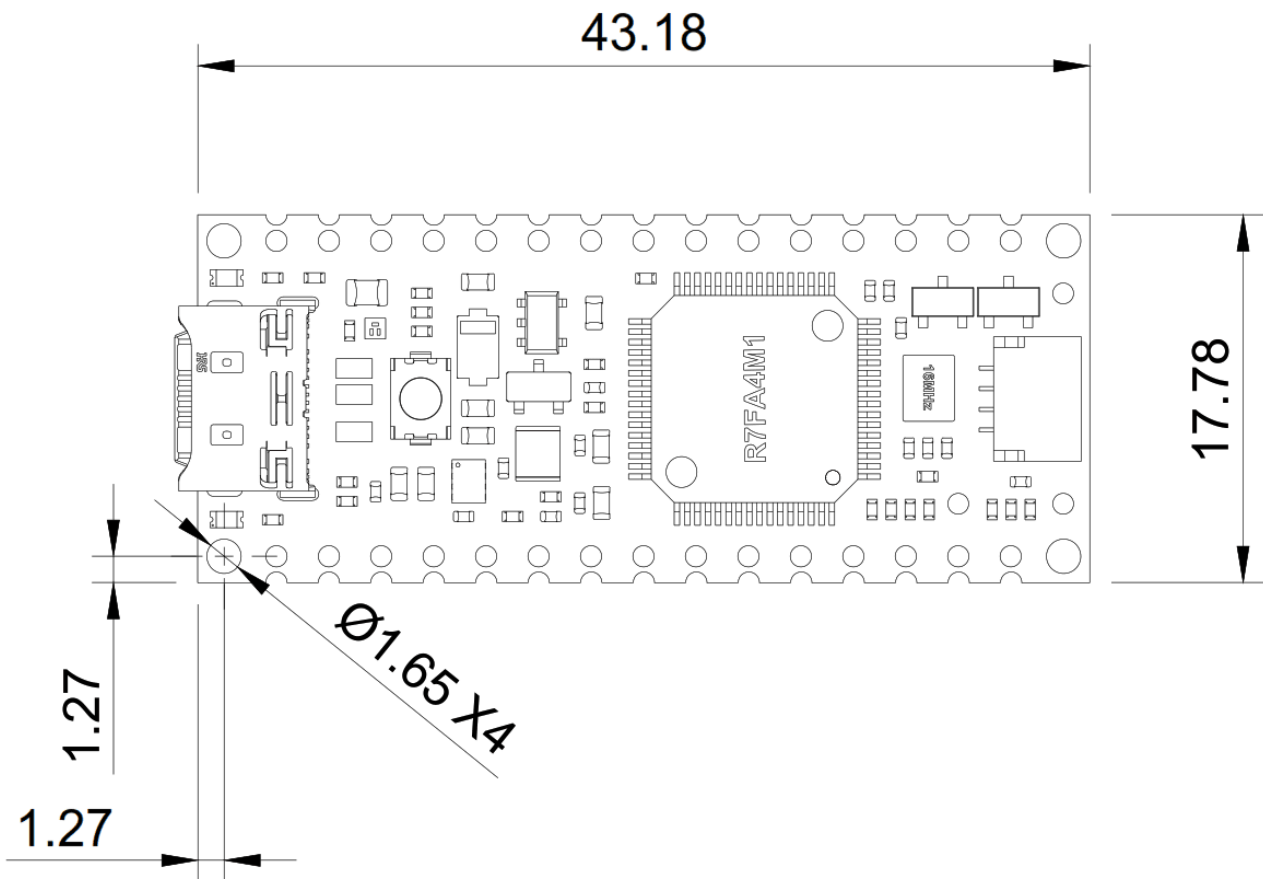
The Nano R4 is a one side 43.18 mm x 17.78 mm board with a USB-C® port overhanging the top edge.

The Nano R4 (ABX00142) has dual castellated/through-hole pins around the two long edges and a Qwiic connector on the bottom edge.

The Nano R4 with headers pre-installed (ABX00143) is also available, providing convenient access for probing and testing.

7.1 Board Dimensions

Nano R4 board outline and mounting holes dimensions can be seen in following figure; all the dimensions are in mm.

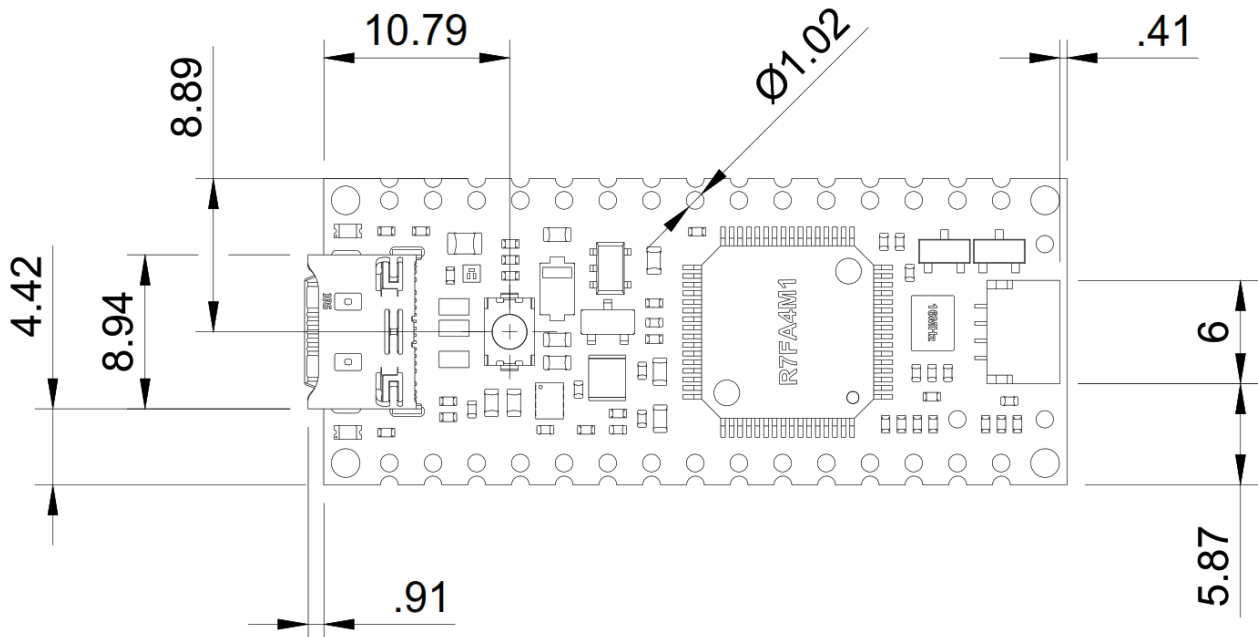


Mechanical View of Arduino Nano R4

The Nano R4 has four 1.65 mm drilled mounting holes for mechanical fixing.

7.2 Board Connectors

Connectors of the Nano R4 are placed on the top side of the board, their placement can be seen in the figure below; all the dimensions are in mm.



Mechanical View of Arduino Nano R4's Connectors

The Nano R4 was designed to be usable as a surface-mount module and presents a dual inline package (DIP) format with the Nano-styled header connectors on a 2.54 mm pitch grid with 1 mm holes.



8 Certifications

8.1 Certification Summary

Certification	Status
CE (European Union)	Yes
RoHS	Yes
REACH	Yes
WEEE	Yes
FCC (USA)	Yes
IC (Canada)	Yes
UKCA (UK)	Yes
RCM (Australia)	Yes

8.2 Declaration of Conformity CE DoC (EU)

We declare under our sole responsibility that the products above are in conformity with the essential requirements of the following EU Directives and therefore qualify for free movement within markets comprising the European Union (EU) and European Economic Area (EEA).

8.3 Declaration of Conformity to EU RoHS & REACH 211 01/19/2021

Arduino boards are in compliance with RoHS 2 Directive 2011/65/EU of the European Parliament and RoHS 3 Directive 2015/863/EU of the Council of 4 June 2015 on the restriction of the use of certain hazardous substances in electrical and electronic equipment.

Substance	Maximum Limit (ppm)
Lead (Pb)	1000
Cadmium (Cd)	100
Mercury (Hg)	1000
Hexavalent Chromium (Cr6+)	1000
Poly Brominated Biphenyls (PBB)	1000
Poly Brominated Diphenyl ethers (PBDE)	1000
Bis(2-Ethylhexyl) phthalate (DEHP)	1000
Benzyl butyl phthalate (BBP)	1000
Dibutyl phthalate (DBP)	1000
Diisobutyl phthalate (DIBP)	1000

Exemptions : No exemptions are claimed.

Arduino Boards are fully compliant with the related requirements of European Union Regulation (EC) 1907 /2006 concerning the Registration, Evaluation, Authorization and Restriction of Chemicals (REACH). We declare none of the SVHCs (<https://echa.europa.eu/web/guest/candidate-list-table>), the Candidate List of Substances of Very High Concern for authorization currently released by ECHA, is present in all products (and also package) in quantities totaling in a concentration equal or above 0.1%. To the best of our knowledge, we also declare that our products do not contain any of the substances listed on the "Authorization List" (Annex XIV of the REACH regulations) and

Substances of Very High Concern (SVHC) in any significant amounts as specified by the Annex XVII of Candidate list published by ECHA (European Chemical Agency) 1907 /2006/EC.

8.4 Conflict Minerals Declaration

As a global supplier of electronic and electrical components, Arduino is aware of our obligations with regards to laws and regulations regarding Conflict Minerals, specifically the Dodd-Frank Wall Street Reform and Consumer Protection Act, Section 1502. Arduino does not directly source or process conflict minerals such as Tin, Tantalum, Tungsten, or Gold. Conflict minerals are contained in our products in the form of solder, or as a component in metal alloys. As part of our reasonable due diligence Arduino has contacted component suppliers within our supply chain to verify their continued compliance with the regulations. Based on the information received thus far we declare that our products contain Conflict Minerals sourced from conflict-free areas.

8.5 FCC Caution

Any Changes or modifications not expressly approved by the party responsible for compliance could void the user's authority to operate the equipment.

This device complies with part 15 of the FCC Rules. Operation is subject to the following two conditions:

- (1) This device may not cause harmful interference
- (2) this device must accept any interference received, including interference that may cause undesired operation.

FCC RF Radiation Exposure Statement:

1. This Transmitter must not be co-located or operating in conjunction with any other antenna or transmitter.
2. This equipment complies with RF radiation exposure limits set forth for an uncontrolled environment.
3. This equipment should be installed and operated with a minimum distance of 20 cm between the radiator & your body.

English: User manuals for licence-exempt radio apparatus shall contain the following or equivalent notice in a conspicuous location in the user manual or alternatively on the device or both. This device complies with Industry Canada licence-exempt RSS standard(s). Operation is subject to the following two conditions:

- (1) this device may not cause interference
- (2) this device must accept any interference, including interference that may cause undesired operation of the device.

French: Le présent appareil est conforme aux CNR d'Industrie Canada applicables aux appareils radio exempts de licence. L'exploitation est autorisée aux deux conditions suivantes :

- (1) l'appareil ne doit pas produire de brouillage
- (2) l'utilisateur de l'appareil doit accepter tout brouillage radioélectrique subi, même si le brouillage est susceptible d'en compromettre le fonctionnement.

IC SAR Warning:

English This equipment should be installed and operated with a minimum distance of 20 cm between the radiator and your body.



French: Lors de l'installation et de l'exploitation de ce dispositif, la distance entre le radiateur et le corps est d'au moins 20 cm.

Important: The operating temperature of the EUT can't exceed 85 °C and shouldn't be lower than -40 °C.

Hereby, Arduino S.r.l. declares that this product is in compliance with essential requirements and other relevant provisions of Directive 201453/EU. This product is allowed to be used in all EU member states.

9 Company Information

Company name	Arduino S.r.l.
Company Address	Via Andrea Appiani, 25 - 20900 MONZA (Italy)

10 Reference Documentation

Ref	Link
Arduino IDE (Desktop)	https://www.arduino.cc/en/Main/Software
Arduino IDE (Cloud)	https://create.arduino.cc/editor
Cloud IDE Getting Started	https://docs.arduino.cc/cloud/web-editor/tutorials/getting-started/getting-started-web-editor
Project Hub	https://create.arduino.cc/projecthub?by=part&part_id=11332&sort=trending
Library Reference	https://github.com/arduino-libraries/
Online Store	https://store.arduino.cc/

11 Change Log

Date	Revision	Changes
07/07/2025	3	ADC and current limitation info added
23/05/2025	2	Headers variant added
31/03/2025	1	First Release