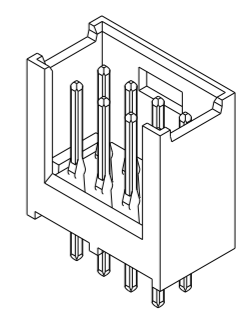
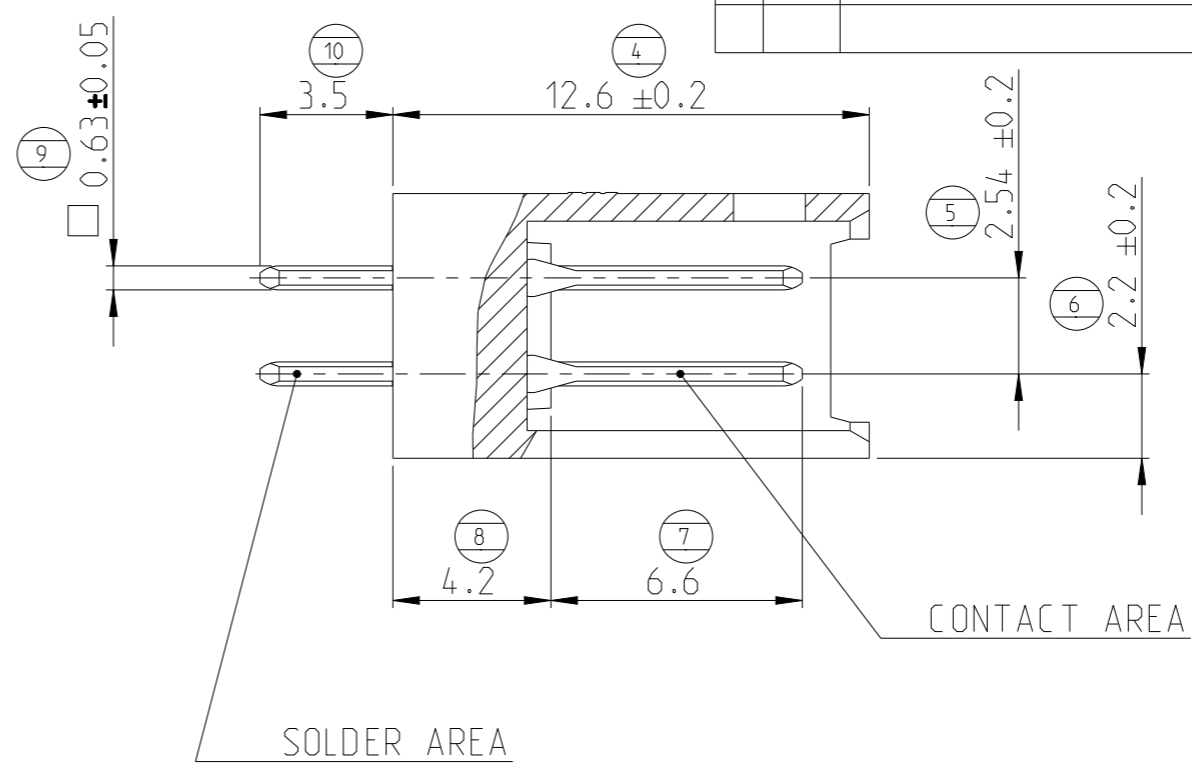
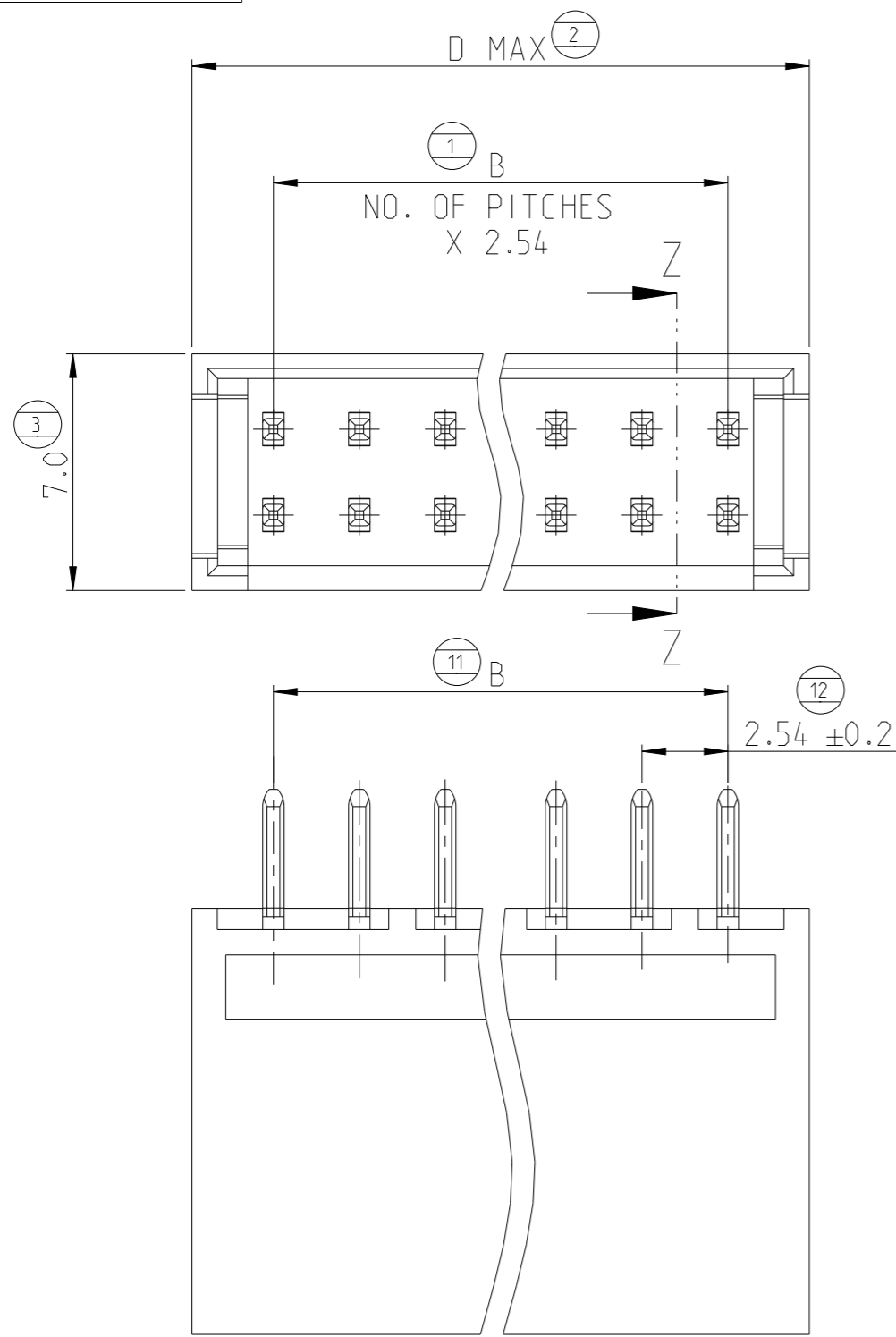


P	LTR	DESCRIPTION	DATE	DWN	APVD
	U	REDRAWN, RESIN SUPPLIER CHANGED	04JUN2021	SB	KJK



2:1

PARTIAL SEC. Z-Z

58.5	53.34	280388-3 5	280388-2	280388-1	22
48.3	43.18	281019-3 5	281019-2	281019-1 5	18
40.7	35.56	280387-3	280387-2	280387-1	15
33.1	27.94	280521-3 5	280521-2	280521-1	12
25.4	20.32	280509-3 5	280509-2	280509-1	9
22.9	17.78	280385-3	280385-2	280385-1	8
12.7	7.62	280384-3 5	280384-2	280384-1	4
D	B	3 PART NUMBER	2 PART NUMBER	1 PART NUMBER	NO. POS.

NOTES:

- 1 FINISH: 3-5 μm TIN OVER MIN 1.27 μm NICKEL
- 2 FINISH: DUPLEX PLATED MIN. 0.38 μm GOLD IN CONTACT AREA AND 2.5 μm TIN IN SOLDER AREA, OVER MIN. 1.27 μm NICKEL.
- 3 FINISH: DUPLEX PLATED MIN. 0.76 μm GOLD IN CONTACT AREA AND 2.5 μm TIN IN SOLDER AREA, OVER MIN. 1.27 μm NICKEL.
- 4 MATERIALS:
-HOUSINGS: FLAME RETARDANT THERMOPLASTIC, UL94V0, COLOR BLACK.
-TIN AND GOLD PLATED CONTACTS: BRASS
- 5 PN OBSOLETE

THIS DRAWING IS A CONTROLLED DOCUMENT.		DWN G. CAMPIA 12FEB1990	TE Connectivity		
DIMENSIONS: mm		CHK -			
TOLERANCES UNLESS OTHERWISE SPECIFIED: ±0.3		APVD -	NAME AMPMODU II SHROUDED HEADER DUAL ROW, STRAIGHT POST		
		PRODUCT SPEC 108-20025	APPLICATION SPEC -		
MATERIAL 4		FINISH -	SIZE A3	CAGE CODE 00779	DRAWING NO C=280384
		WEIGHT -	RESTRICTED TO	SCALE 5:1	SHEET 1 OF 1
		CUSTOMER DRAWING	REV U		

Mouser Electronics

Authorized Distributor

Click to View Pricing, Inventory, Delivery & Lifecycle Information:

[TE Connectivity:](#)

[280387-2](#)