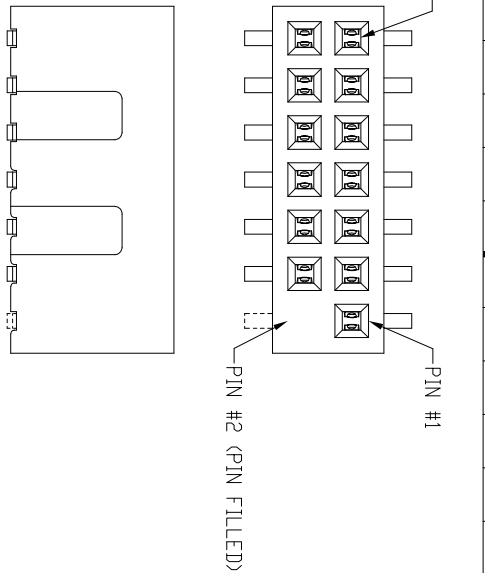
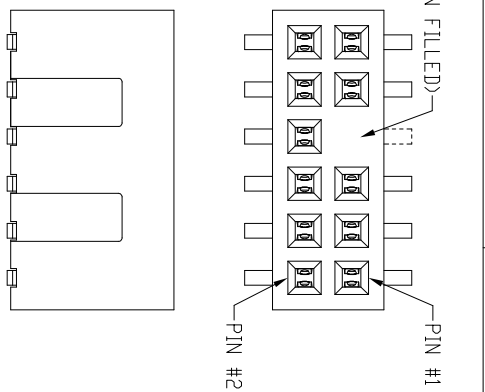


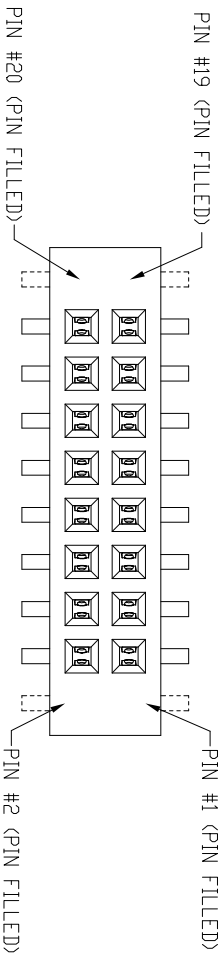
P/N: 20021321-X0108XXLF



P/N: 20021321-X0214XXLF / 20021321-X0206XXLF



P/N: 20021321-X0312XXLF



P/N: 20021321-X0420XXLF

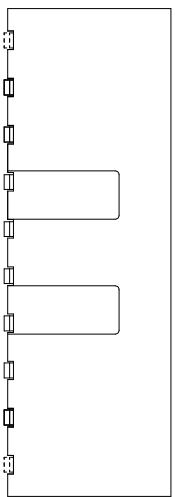
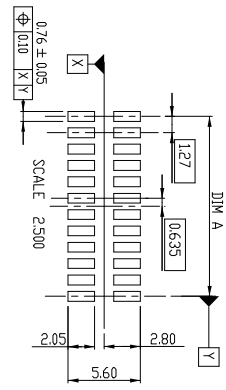


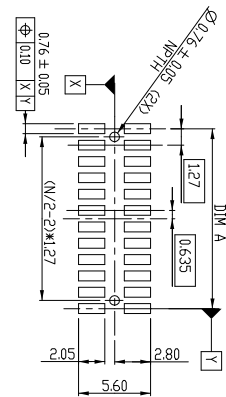
TABLE 3

DASH NO.	AMOUNT OF PINS	PIN FILLED
-X0108XXLF	7	PIN #4
-X0214XXLF	13	PIN #2
-X0206XXLF	5	PIN #2
-X0312XXLF	11	PIN #7
-X0420XXLF	16	PIN #1, #2, #19, #20

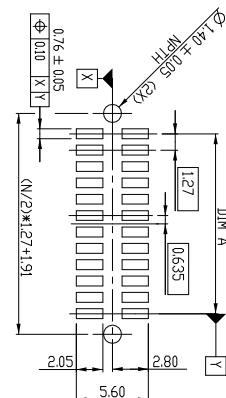
mat'l. code	surface	tolerance	projection	product family
ISO 1302	ISO 406	ISO 1104	MINITEK127®	
ISO 1302	ISO 406	ISO 1104	MINITEK127®	
tolerances unless otherwise specified	tolerance	projection	product family	
angles	0±.30	1104	MINITEK127®	
linear	.00±.20	mm	RECEPTACLE VT SMT	
0±.2°	.000±.10	scale 1:1		
dr	eng	chr	qppd	
Tony Leng 07/19/16	Y-Y Boo 10/10/20	L-Q Lei 10/10/20	Tim Yoo 10/10/20	
sheet	revision	R		
index	sheet	2		
dwg no	sheet 2 of 4	size		
20021321	A3			
type	Product Customer Drawing			



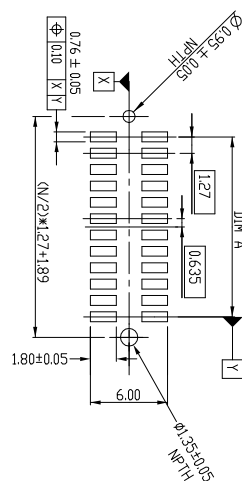
RECOMMENDED PCB LAYOUT - WITHOUT POST
LAYOUT TOLERANCE = ±0.05mm



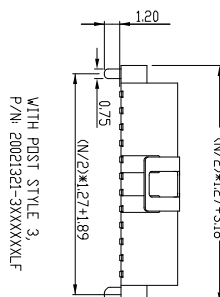
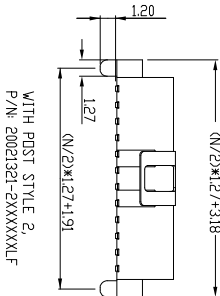
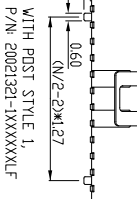
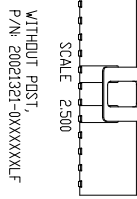
RECOMMENDED PCB LAYOUT - POST STYLE 1,
LAYOUT TOLERANCE = ±0.05mm



RECOMMENDED PCB LAYOUT - POST STYLE 2,
LAYOUT TOLERANCE = ±0.05mm



RECOMMENDED PCB LAYOUT - POST STYLE 3,
LAYOUT TOLERANCE = ±0.05mm



mat'l. code	surfc	tolerance	projection	product family
	ISO 1302	ISO 406 ISO	110°	MINITEK127®
ltr ecn no dr date	tolerances unless otherwise specified		mm	RECEPTACLE VT SMT
angles	.00±.20	0±.30	mm	
linear	.000±.10	0±.2	mm	
dr	07/19/16	07/19/16	scale 1:1	dwg no
engr	Y-Y Boo	10/10/20		sheet 3 of 4
chr	L-Q Lei	10/10/20		20021321
qppd	Tim Yoo	10/10/20		A3
sheet revision R				type Product Customer Drawing
index sheet 3				

TABLE 1

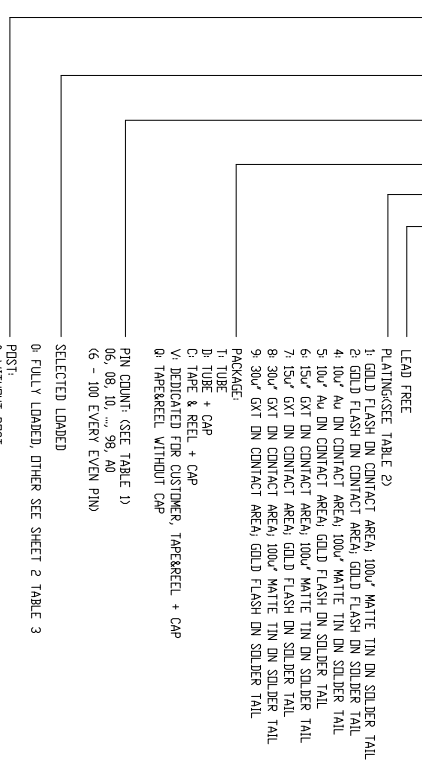
PRODUCT NO.	POSITIONS	DIM. A	DIM. B
20021321-XX068XLLF	2 X 3	2.54	4.27
20021321-XX088XLLF	2 X 4	3.81	5.54
20021321-XX108XLLF	2 X 5	5.08	6.81
20021321-XX128XLLF	2 X 6	6.35	8.08
20021321-XX148XLLF	2 X 7	7.62	9.35
20021321-XX168XLLF	2 X 8	8.89	10.62
20021321-XX188XLLF	2 X 9	10.16	11.89
20021321-XX208XLLF	2 X 10	11.43	13.16
20021321-XX228XLLF	2 X 11	12.7	14.43
20021321-XX248XLLF	2 X 12	13.97	15.7
20021321-XX268XLLF	2 X 13	15.24	16.97
20021321-XX288XLLF	2 X 14	16.51	18.24
20021321-XX308XLLF	2 X 15	17.78	19.51
20021321-XX328XLLF	2 X 16	19.05	20.78
20021321-XX348XLLF	2 X 17	20.32	22.05
20021321-XX368XLLF	2 X 18	21.59	23.32
20021321-XX388XLLF	2 X 19	22.86	24.59
20021321-XX408XLLF	2 X 20	24.13	25.86
20021321-XX428XLLF	2 X 21	25.4	27.13
20021321-XX448XLLF	2 X 22	26.67	28.4
20021321-XX468XLLF	2 X 23	27.94	29.67
20021321-XX488XLLF	2 X 24	29.21	30.94
20021321-XX508XLLF	2 X 25	30.48	32.21
20021321-XX528XLLF	2 X 26	31.75	33.48
20021321-XX548XLLF	2 X 27	33.02	34.75
20021321-XX568XLLF	2 X 28	34.29	36.02
20021321-XX588XLLF	2 X 29	35.56	37.29
20021321-XX608XLLF	2 X 30	36.83	38.56
20021321-XX628XLLF	2 X 31	38.1	39.83
20021321-XX648XLLF	2 X 32	39.37	41.1
20021321-XX668XLLF	2 X 33	40.64	42.37
20021321-XX688XLLF	2 X 34	41.91	43.64

PRODUCT NO.	POSITIONS	DIM. A	DIM. B
20021321-XX070XLLF	2 X 35	43.18	44.91
20021321-XX072XLLF	2 X 36	44.45	46.18
20021321-XX074XLLF	2 X 37	45.72	47.45
20021321-XX076XLLF	2 X 38	46.99	48.72
20021321-XX078XLLF	2 X 39	48.26	49.99
20021321-XX080XLLF	2 X 40	49.53	51.26
20021321-XX082XLLF	2 X 41	50.8	52.53
20021321-XX084XLLF	2 X 42	52.07	53.8
20021321-XX086XLLF	2 X 43	53.34	55.07
20021321-XX088XLLF	2 X 44	54.61	56.34
20021321-XX090XLLF	2 X 45	55.88	57.61
20021321-XX092XLLF	2 X 46	57.15	58.88
20021321-XX094XLLF	2 X 47	58.42	60.15
20021321-XX096XLLF	2 X 48	59.69	61.42
20021321-XX098XLLF	2 X 49	60.96	62.69
20021321-XX100XLLF	2 X 50	62.23	63.96

- NOTES:
- MATERIAL:
HOUSING: HIGH TEMPERATURE PLASTIC; UL-94-V0; BLACK.
TERMINAL: PHOSPHOR BRONZE.
CAP: STAINLESS STEEL.
 - FINISH:
TERMINAL: GOLD OR GXT PLATING AT CONTACT AREA (SEE TABLE);
GOLD FLASH OR 254um/100u" MIN MATTE TIN
AT SOLDER TAIL AREA;
127um/50u" MIN NI OVER ALL AS UNDERPLATING.
 - PRODUCT SPEC PER GS-12-629.
 - PACKAGE SPEC PER GS-14-1420.
 - THE HOUSING WILL WITHSTAND EXPOSURE TO 260°C PEAK TEMPERATURE FOR 10 SECONDS IN A CONVECTION INFRA-RED OR VAPOR PHASE REFLOW OVEN.
 - PRODUCT MEETS EUROPEAN UNION DIRECTIVES AND OTHER COUNTRY REGULATIONS AS DESCRIBED IN GS-22-008.
 - THE METAL CAP IS OPTION AS CUSTOMER REQUIREMENT.

PART NUMBER DESCRIPTION:

20021321 - X 0 X X X X X L F



mat'l. code	surface	tolerance	projection	product family
ISO 1302	ISO 406	ISO 1101	MINITEX127®	
tolerances unless otherwise specified				
angles	0±.30			
linear	0.05±.20			
0±.2	.000±.10	mm	scale 1:1	
dr	Tony Leng	07/19/16		
engr	Y-Y Boo	10/10/20		
chr	L-Q Lei	10/10/20		
qppd	Tim Yoo	10/10/20		
sheet	revision	R		
index	sheet	4		
title RECEPTACLE VT SMT product family MINI-TEK127® sheet 4 of 4 size A3				
dwg no 20021321 type Product Customer Drawing				