

SIGN	DATE	DESCRIPTION	APPROVER
△	2/10'06	Part NO is Changed	xionghaitao
△	2/10'06	Design is Changed	xionghaitao
△	2/13'14	update the drawing	Guoxue

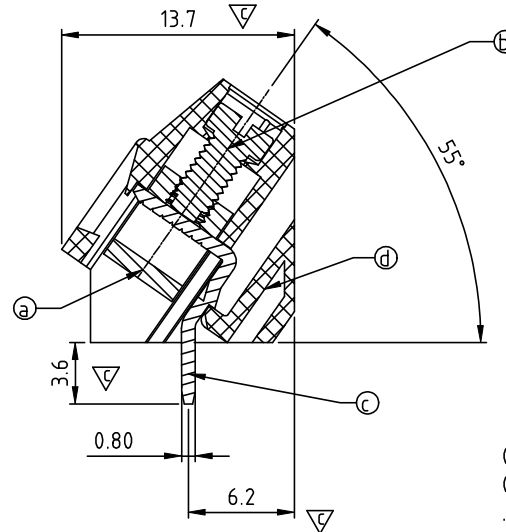
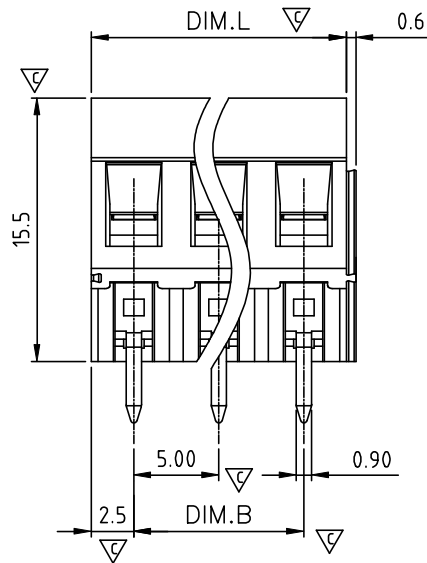
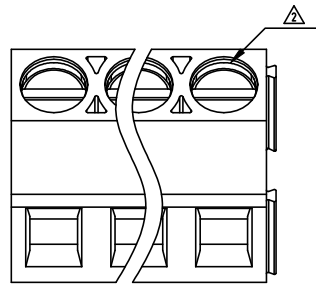
THIS IS CAD DRAWING, DO NOT REVISE MANUALLY!!!

Dimension A&B

DIM.L	N×5.0
DIM.B	(N-1)×5.0

N=Number of poles

Poles	L&B Tolerance
2P-8P	±0.15
9P-14P	±0.25
15P-20P	±0.35
21P-24P	±0.40



Material

- Item ㉑ Clamp : Brass , Ni plated
- Item ㉒ Terminal screw: Steel , Zinc plating "-" slot type
- Item ㉓ Wire guard solder pin : Brass , Tin plated
- Item ㉔ Terminal housing : Thermoplastic (UL94V-0)

Electrical UL

- Voltage rating: 300VAC
- Current rating: 10A
- Wire range:
 - Solid wire(AWG): 12-24
 - Stranded wire(AWG): 12-24
- Torque(Lb-In): 3.5
- Screw: M2.5
- Wire strip length: 6-7mm
- Withstanding Voltage: 1.6KV
- Operating temperature: -40°C to +115°C
- Soldering temperature: 260°C±5°C/5 Sec
- Safety Approval Deta:
- Critical dimension:

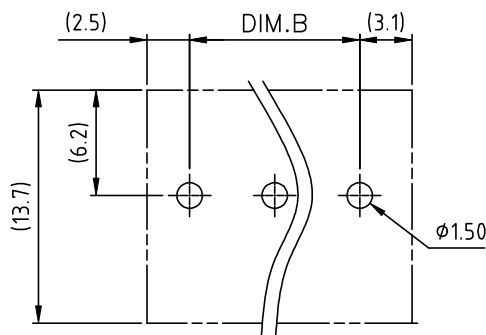
△ T2 xx 0 1 x 0 xxxx G

- 02 2 POLES
- 03 3 POLES
-
- 24 24 POLES

Color

- 0 Black (RAL9005)
- 2 Red (RAL3001/D)
- 3 Orange(RAL2011/P)
- 4 Yellow(RAL1018/A)
- 5 Green(RAL6018/T)
- 6 Blue (RAL5015/A)
- 8 Grey(RAL7035/D)
- C Green(RAL6018/U)

0000:"@Logo (Standard) RoHS compliant
 000A:"ANYTEK"Logo (lead<4%)
 Any special item by customer request, please contact sales department. In copper Alloy



RECOMMENDED PCB LAYOUT
TOP VIEW

ANYTEK

CUSTOMER COPY

ALL RIGHTS RESERVED. REPRODUCTION OR ISSUE TO THIRD PARTIES IN ANY FORM WHATSOEVER IS NOT PERMITTED WITHOUT WRITTEN AUTHORITY FROM THE PROPRIETOR. PROPERTY OF ANYTEK TECHNOLOGY CO., LTD

TITLE		T2 - 5.0mm series 2P-24P (Stackable)			
PART NO.	T2xx01x0xxxxG △	DWG NO.	8T20001		
APPROVED	CHECKED	DESIGNED	DRAWN	CUST NO.	
		Guoxue 2014.07.10	Guoxue 2014.07.10		
				Tolerance	
				UNIT: mm	X. ±0.50
				SCALE: NONE	X.X ±0.30
					X.XX ±0.10
					X° ±1°
SHEET: 01/01		REV.: E			