

# SERIES 320 SWITCHES

## TACT SWITCHES



E-SWITCH®



### FEATURES & BENEFITS

- ▶ Multiple cap & color options
- ▶ High reliability dome technology
- ▶ Excellent tactile feedback

### APPLICATIONS/MARKETS

- ▶ Telecommunications
- ▶ Networking
- ▶ Computers/servers
- ▶ Performance audio
- ▶ Instrumentation
- ▶ Low power on/off designs
- ▶ External hard drives and modems

### SPECIFICATIONS

Contact Rating:	25mA @ 50 VDC
Life Expectancy:	1,000,000 cycles min.
Contact Resistance:	50mΩ, max. initial @ 2-4 VDC, 100mA
Insulation Resistance:	1,000MΩ min.
Dielectric Strength:	>500 VAC rms at sea level
Actuation Force:	135 ± 50 gf
Operating Temperature:	-20°C to 70°C
Travel:	.6mm Typ.

### MATERIALS

Housing:	Nylon 4/6
Cover/Cap:	ABS or Polycarbonate
Dome Contact:	Gold over stainless steel
Terminals/Contacts:	Silver plated copper alloy



### HOW TO ORDER

CAP STYLE	CIRCUIT	CAP COLOR	ADDITIONAL CAP (Fits over cap styles 320.02 & 320.03 only.)	CAP COLOR
<input type="checkbox"/> <input type="checkbox"/> <input type="checkbox"/> <input type="checkbox"/> <input type="checkbox"/> <input type="checkbox"/>	<input type="checkbox"/> <input type="checkbox"/> <input type="checkbox"/>	<input type="checkbox"/> <input type="checkbox"/> <input type="checkbox"/>	<input type="checkbox"/> <input type="checkbox"/> <input type="checkbox"/> <input type="checkbox"/> <input type="checkbox"/> <input type="checkbox"/> <input type="checkbox"/> <input type="checkbox"/>	<input type="checkbox"/> <input type="checkbox"/> <input type="checkbox"/>
320 320.01 320.02 320.03 320.04 320.22 320.08* 320.09* 320.094* 320.2 320.21	E11 (SPST)	BLK = Black GRY = Grey YEL = Yellow BLU = Blue GRN = Green WHT = White RED = Red	See Cap Section	



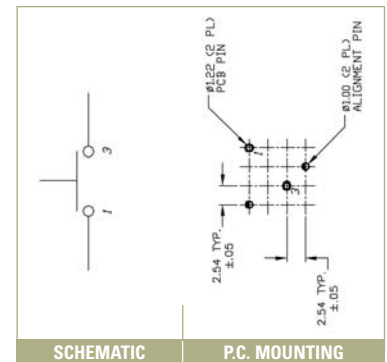
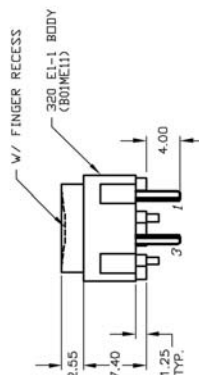
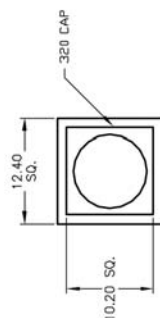
### Example Ordering Number

320.08-E1-1-YEL

\*Note: Assembled using the 320.02 plungered cap.

Specifications subject to change without notice.

## 320

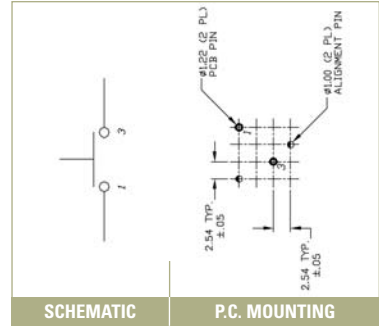
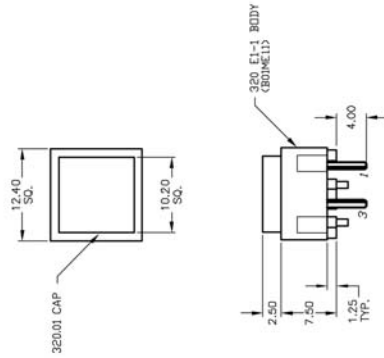


# SERIES 320 SWITCHES

## TACT SWITCHES

TACT SWITCHES

### 320.01

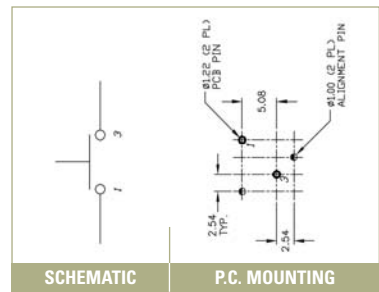
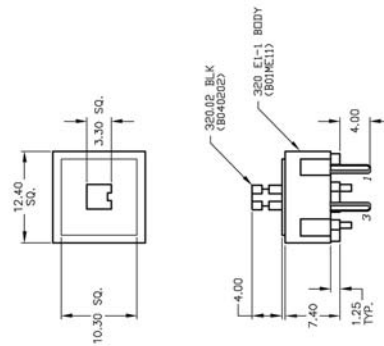


NAVIGATION SWITCHES

PUSHBUTTON SWITCHES

TOGGLE SWITCHES

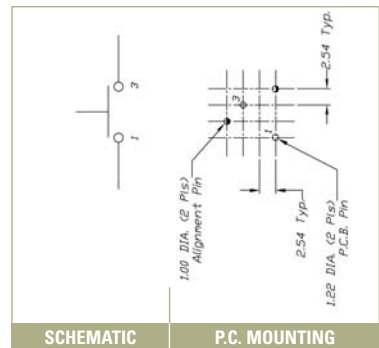
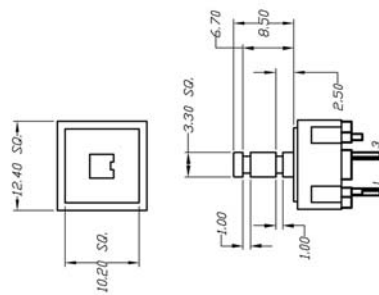
### 320.02



ROCKER SWITCHES

SLIDE SWITCHES

### 320.03

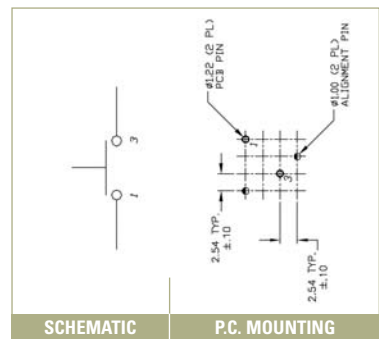
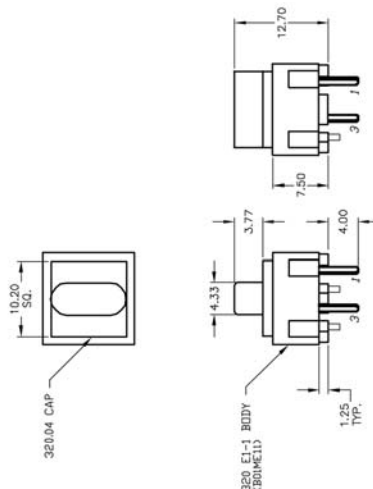


SNAP-ACTION SWITCHES

DIP SWITCHES

KEYLOCK SWITCHES

### 320.04



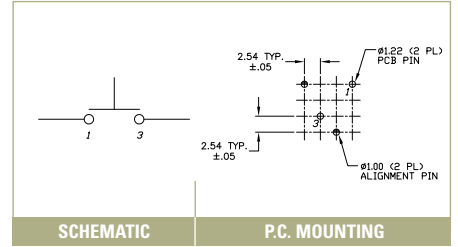
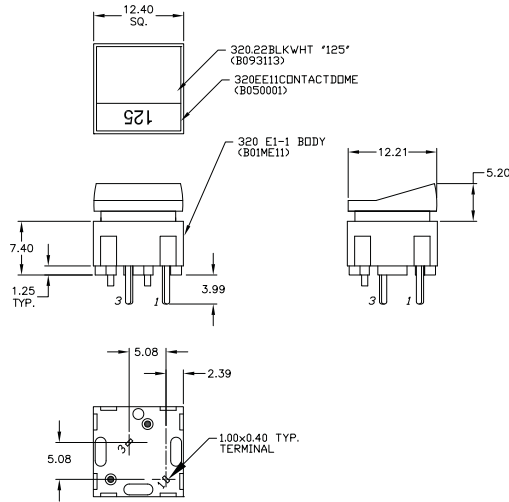
ROTARY SWITCHES

DETECTOR SWITCHES

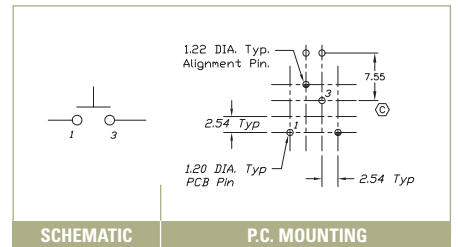
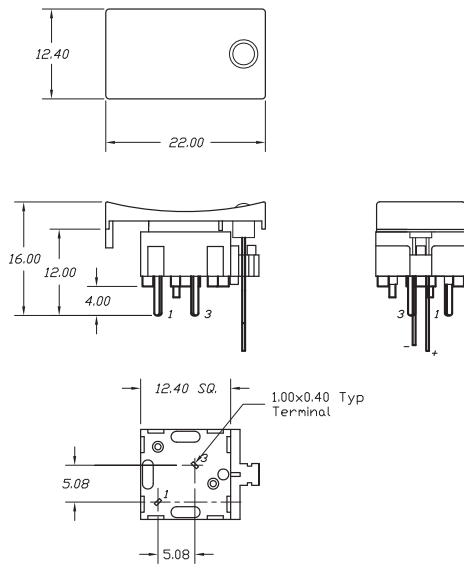
CAP OPTIONS



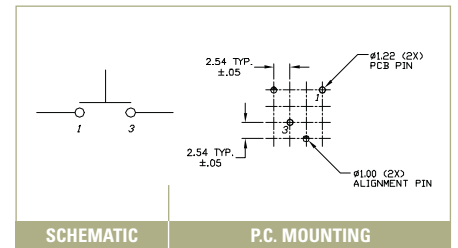
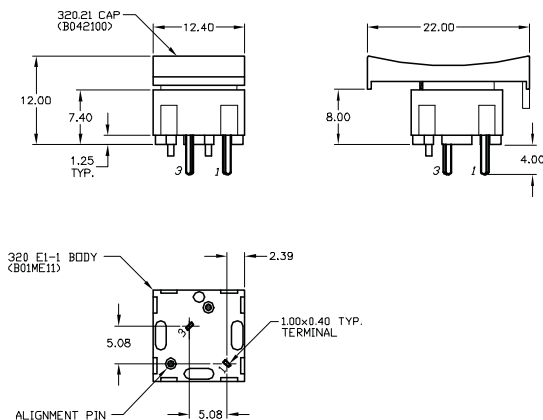
### 320.22



### 320.2



### 320.21



TACT SWITCHES

NAVIGATION SWITCHES

PUSHBUTTON SWITCHES

TOGGLE SWITCHES

ROCKER SWITCHES

SLIDE SWITCHES

SNAP-ACTION SWITCHES

DIP SWITCHES

KEYLOCK SWITCHES

ROTARY SWITCHES

DETECTOR SWITCHES

CAP OPTIONS

# Mouser Electronics

Authorized Distributor

Click to View Pricing, Inventory, Delivery & Lifecycle Information:

## E-Switch:

[320.08E11wht](#) [320.09E11blu](#) [320.01E11BLK](#) [320.01E11BLU](#) [320.01E11GRN](#) [320.01E11GRY](#) [320.01E11RED](#)  
[320.01E11WHT](#) [320.01E11YEL](#) [320.02E11.08BLK](#) [320.02E11.08BLU](#) [320.02E11.08GRN](#) [320.02E11.08GRY](#)  
[320.02E11.08RED](#) [320.02E11.08WHT](#) [320.02E11.08YEL](#) [320.02E11.09BLK](#) [320.02E11.09BLU](#) [320.02E11.09RED](#)  
[320.02E11.09YEL](#) [320.02E11BLK](#) [320.03E11BLK](#) [320.21E11BLK](#) [320.21E11BLU](#) [320.21E11GRN](#) [320.21E11GRY](#)  
[320.21E11YEL](#) [320E11BLK](#) [320E11BLU](#) [320E11GRN](#) [320E11GRY](#) [320E11YEL](#) [320.02E11.09GRY](#) [320E11RED](#)  
[320E11WHT](#) [320.01E11ORG](#) [320.02E114JBLK](#) [320.02E116JBLK](#) [320.03E11.08GRY](#) [320.03E11.08RED](#)  
[320.03E11.08WHT](#) [320.03E11.09GRN](#) [320.03E11.09RED](#) [320.03E11BLU](#) [320.03E11TA12BLK](#)  
[320.03E11TA2800BLK](#) [320.04E11BLU](#) [320.04E11GRN](#) [320.04E11RED](#) [320.04E11WHT](#) [320.04E11YEL](#)  
[320.05E11BLK](#) [320.05E11GRY](#) [320.05E11ORG](#) [320.05E11WHT](#) [320.06E11BLK](#) [320.09E11BLK](#) [320.09E11GRN](#)  
[320.09E11GRY](#) [320.09E11WHT](#) [320.21E11RED](#) [320.2E11BLK](#) [320.2E11BLU](#) [320.2E11GRN](#) [320.2E11RED](#)  
[320.2E11WHT](#) [320.2E11YEL](#) [320E11ORG](#) [320.25E11BLK](#) [320.09E11YEL](#) [320.03E11.08BLK](#)