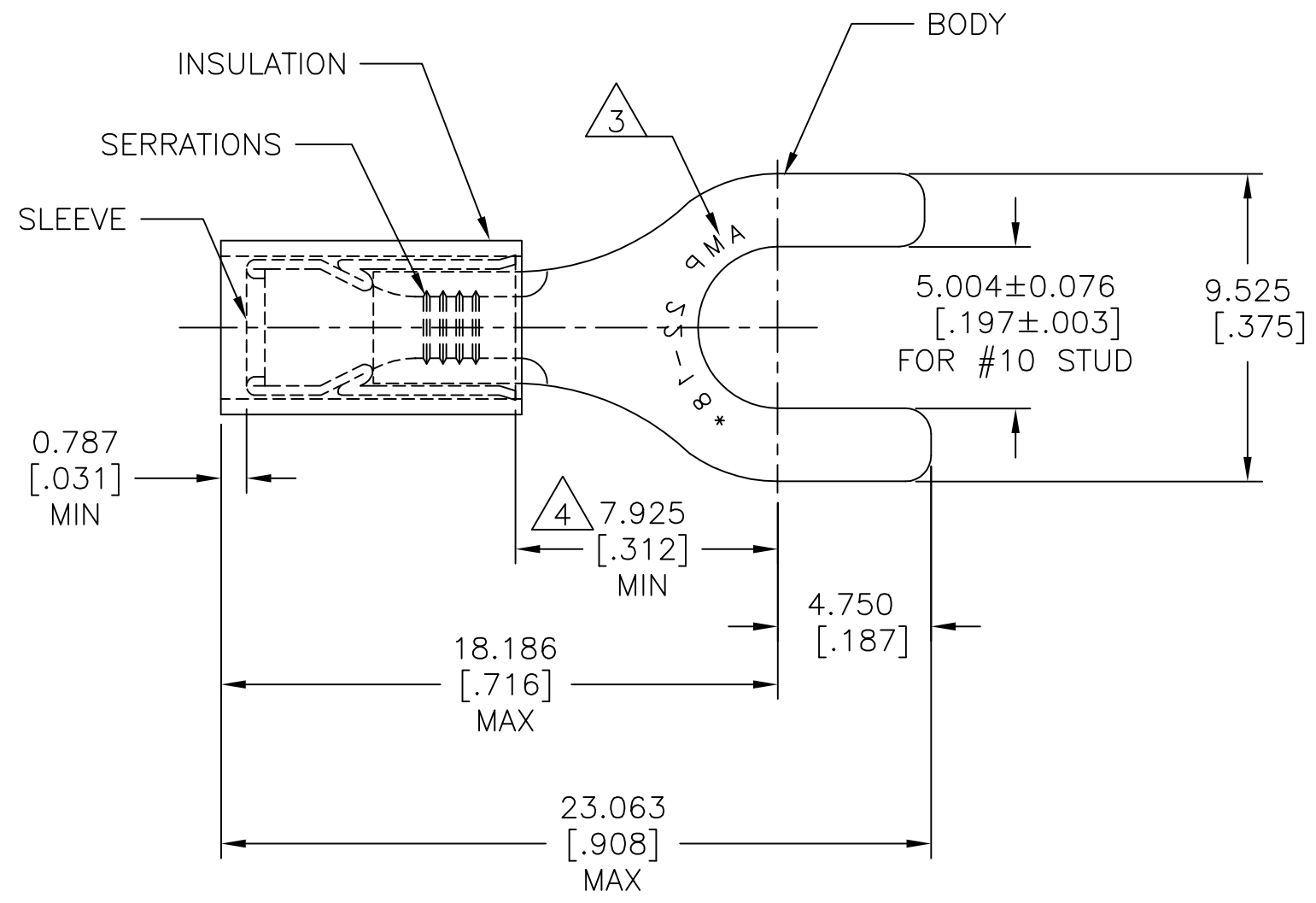


REVISIONS					
P	LTR	DESCRIPTION	DATE	DWN	APVD
	G2	NEW DRAWING PER ECO-11-019045	02APR12	KH	DR
	G3	REVISED PER ECO-17-007400	05DEC2017	RS	DR



AMP WIRE RANGE	Listed FILE E13288	LR7189 Certified
22-16 AWG SOLID OR STRANDED	22-16 AWG SOLID OR STRANDED	22-16 AWG SOLID OR STRANDED

- 1 FOR WIRE INSULATION $\phi 2.667[\phi.105]$ TO $\phi 3.556[\phi.140]$
- 2 BODY MATERIAL THK: $0.787\pm 0.051[.031\pm.002]$
- 3 STAMP AMP 22-18* APPROX AS SHOWN. 22-16 TERMINALS ARE STAMPED 22-18 IN ACCORDANCE WITH MILITARY SPEC SAE AS 7928, COMMERCIAL WIRE RANGE IS 22-16
- 4 DIMENSION APPLIES FROM EDGE OF METAL WIRE BARREL TO CENTER OF STUD.
- 5 MATERIAL:
BODY&SLEEVE: COPPER PER ASTM B152
INSULATION: NYLON.
- 6 FINISH:
BODY&SLEEVE: TIN PLATE PER ASTM B545
INSULATION: COLOR-RED

5000	ON TAPE REEL	2-32051-1
1000	LOOSE PIECE	32051
QTY	PACKAGE TYPE	PART NO

AMP INCORPORATED
 CUSTOMER SERVICE SYSTEMS

FOR ADDITIONAL PRODUCT INFORMATION OR COPIES OF DRAWINGS AND TECHNICAL DOCUMENTS	PRODUCT INFORMATION CENTER 1-800-522-6752	RECOMMENDED OPERATING TEMPERATURE: 105°C [221°F]
FOR APPLICATION TOOLING INFORMATION	TOOLING ASSISTANCE CENTER 1-800-722-1111	VOLTAGE RATING: 300V MAX
FOR ORDER ENTRY	1-800-526-5142	WIRE CROSS SECTIONAL AREA RANGE: 0.26-1.65mm ² [509-3260] CIR.MIL SOLID OR STRANDED

THIS DRAWING IS A CONTROLLED DOCUMENT.	
DIMENSIONS: mm [INCHES]	TOLERANCES UNLESS OTHERWISE SPECIFIED:
	0 PLC ± -
	1 PLC ± -
	2 PLC ± -
	3 PLC ± 0.127[.005]
	4 PLC ± -
	ANGLES ± 5°
MATERIAL	FINISH
5	6

DWN KIRAN HOLAL 02APR12	TE Connectivity		
CHK ROHDE DANIEL 02APR12			
APVD ROHDE DANIEL 02APR12	NAME TERMINAL P.I.D.G, SPADE WIRE SIZE: 22-16 AWG		
PRODUCT SPEC UL 486 A-B	SIZE	CAGE CODE	DRAWING NO
APPLICATION SPEC 114-2157	A3	00779	C-32051
WEIGHT -	RESTRICTED TO -		
CUSTOMER DRAWING	SCALE 5:1	SHEET 1 OF 1	REV G3

Mouser Electronics

Authorized Distributor

Click to View Pricing, Inventory, Delivery & Lifecycle Information:

[TE Connectivity:](#)

[32051](#)