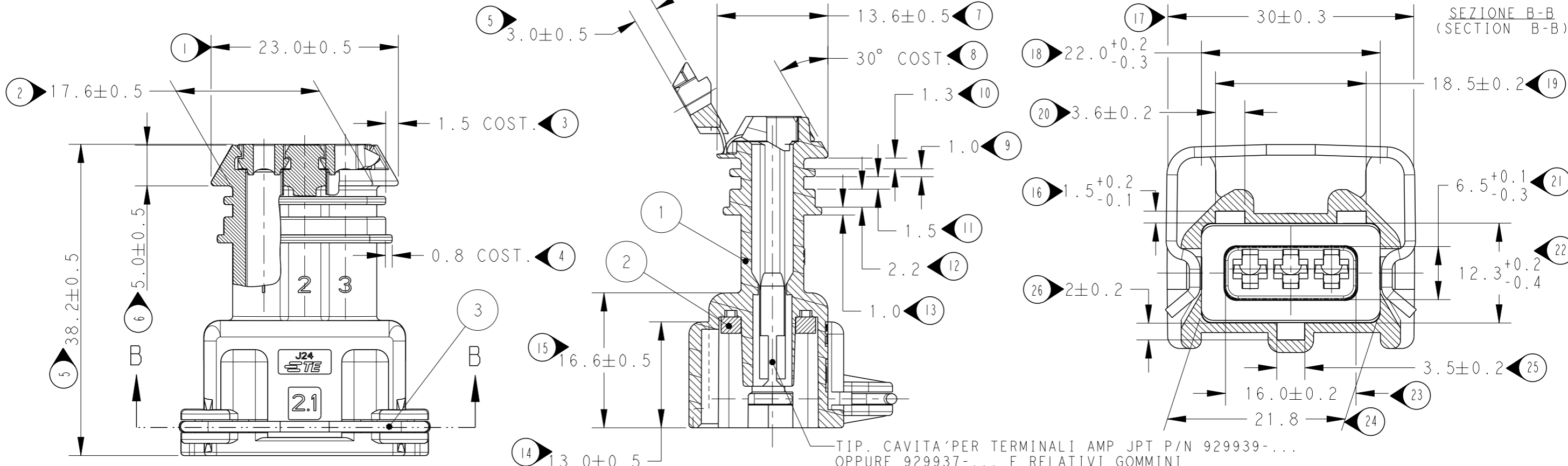


P	LTR	DESCRIPTION	DATE	DWN	APVD
P3		REVISED PER ECO-20-003216	05JUN2020	AP	VN

CONNECTOR TIPO A (CON MOLLA DI RITEGNO ESTERNA)
CONNECTOR TYPE B (WITH EXTERNAL SPRING)

SECTION A-A

SEZIONE B-B
(SECTION B-B)



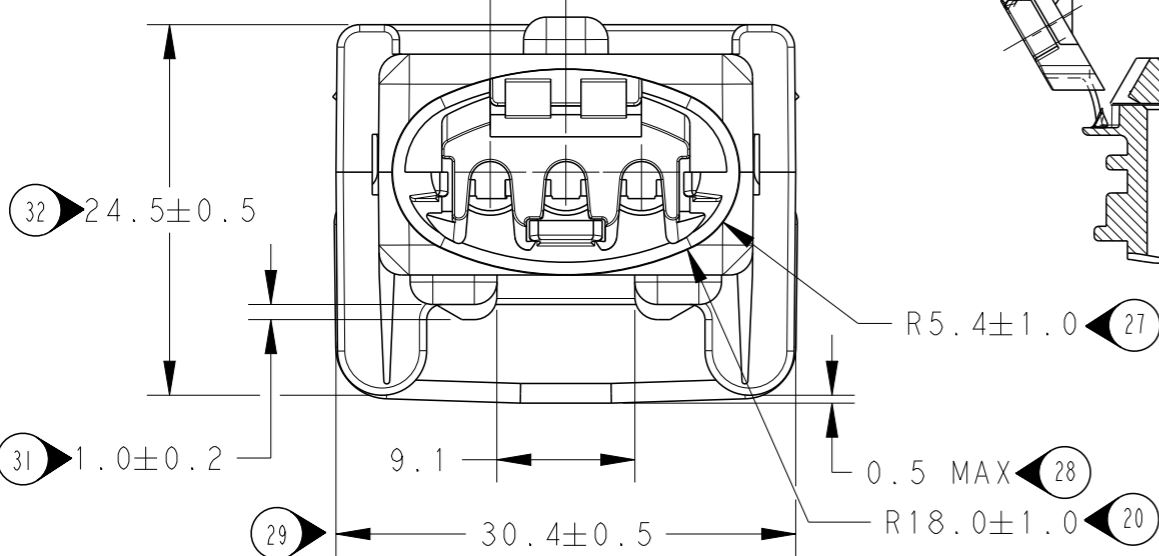
TIP. CAVITA' PER TERMINALI AMP JPT P/N 929939-...
OPPURE 929937-... E RELATIVI GOMMINI
AMP P/N 828904-1, 828905-1, 282536-1.
TAPPO CAVITA' P/N 828906-2
(TYP. CAV FOR JPT CONT. P/N 929939-...
A/O 929937-... AND REL. SINGLE WIRE SEAL
P/N 828904-1, 828905-1, 282536-1
CAVITY PLUG P/N 828906-2)

DIAM (ISOLANTE) (INS. DIA. RANGE)	RANGE FILO (WIRE RANGE)
1.5-3.0 mm (RED. INS. CABLE)	0.5-2.5 mm ²

ASSE CONNETTORE
(CONNECTOR CENTER LINE)

ASSE CAVITA'
(CAVITY CENTER LINE)

33) PASSO 5.0±0.15 TIP
(PITCH 5.0±0.15 TYP)



NERO (BLACK)	2-282191-1 P1	P1
NERO (BLACK)	1-282191-1	
ROSSO (RED)	---	
GIALLO (YELLOW)	---	
MARRONE (BROWN)	282191-6	
BLU (BLUE)	282191-5	
VERDE (GREEN)	282191-4	
NATURALE (NATUR)	282191-3	
GRIGIO (GREY)	282191-2	
NERO (BLACK)	282191-1	

SUPERSEDED BY 282191-1		CUSTOMER DRAWING FOR REFERENCE ONLY		DISEGNO PER CLIENTE SOLO PER RIFERIMENTO	
3	\\\\\\\\\\\\	ACCIAIO INOX (STAINLESS STEEL)	MOLLA (SPRING)		
2	NATURALE (NATURAL)	GOMMA SILICONE (SILICONE RUBER)	GUARNIZIONE (RUBBER GASKET)		
1	\\\\\\\\\\\\	PA 6.6	BLOCCHETTO (HOUSING)		
NUMERO PART NO.	ASSY REV NO. (ITEM)	FINITURA/COLORE (FINISH/COLOUR)	MATERIALE (MATERIAL)	DESCRIZIONE (DESCRIPTION)	

1) DIFFERISCE DAL ...-1 ESCLUSIVAMENTE PER IL PACKAGING
(DIFFERS FROM ...-1 ONLY FOR PACKAGING DETAILS)

2) PER DIMENSIONI CONTROPARTE VEDERE FOGLIO 2
(FOR COUNTERPART DIMENSIONS SEE SHEET 2)

THIS DRAWING IS A CONTROLLED DOCUMENT.

DIMENSIONS: mm	TOLERANCES UNLESS OTHERWISE SPECIFIED:
	0 PLC ±-
	1 PLC ±0.3
	2 PLC ±-
	3 PLC ±-
	4 PLC ±-
	ANGLES ±2°
MATERIAL	FINISH

DWN	9 NOV 90
E. CINI	
CHK	13 OCT 92
C. TARTARI	
APVD	-
PRODUCT SPEC	-
APPLICATION SPEC	-
WEIGHT	-
CUSTOMER DRAWING	

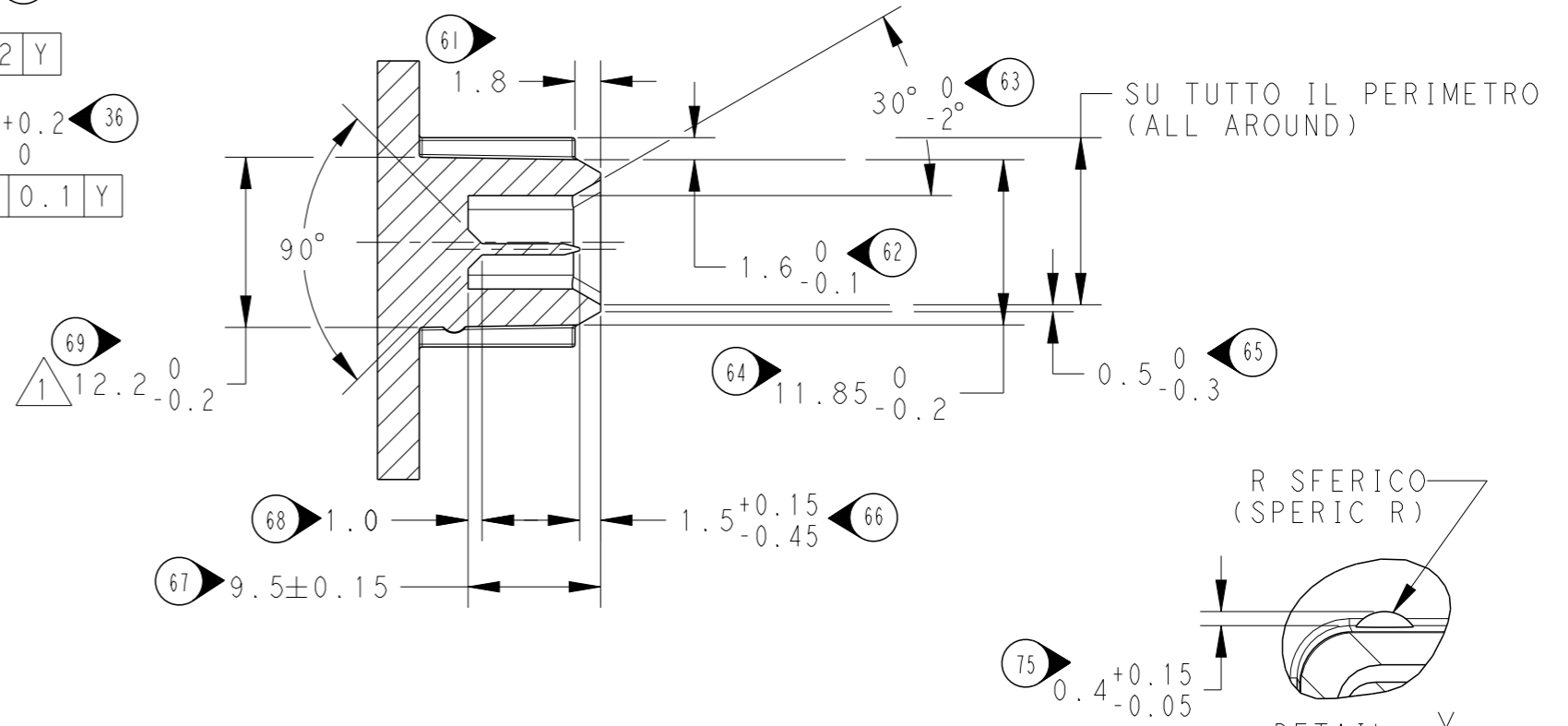
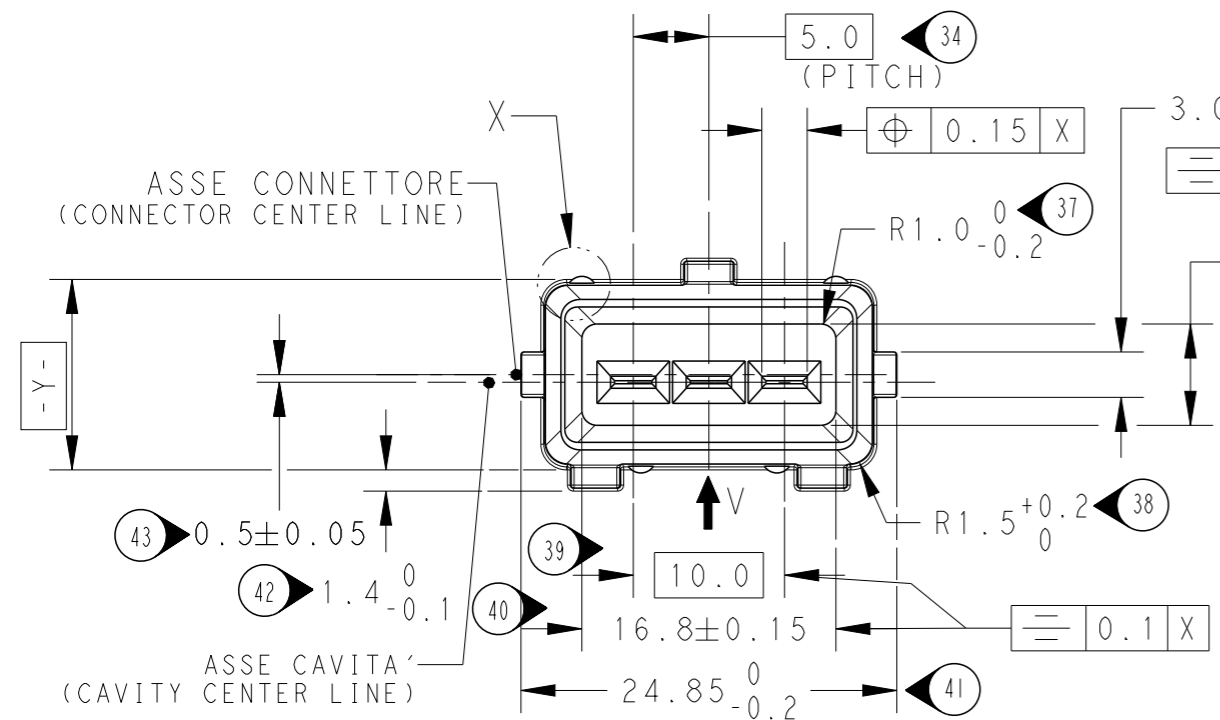
STE TE Connectivity

NAME: 3 W. SPLASH PROOF CONN. ASS'Y WITH SECONDARY LOCK

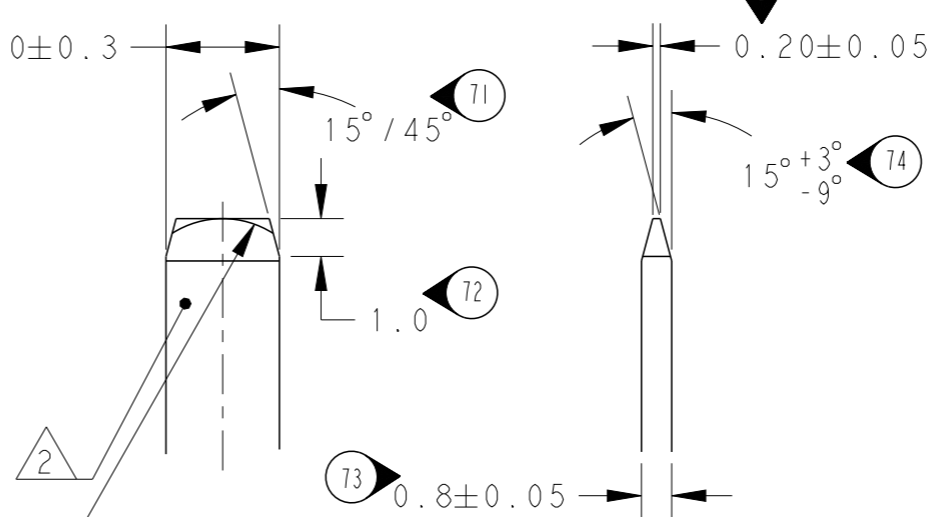
SIZE	CAGE CODE	DRAWING NO	RESTRICTED TO
A3	-	C-282191	-

SCALE: 2:1 SHEET: 1 OF 2 REV: P3

P	LTR	DESCRIPTION	DATE	DWN	APVD
-	-	SEE SHEET 1	-	-	-

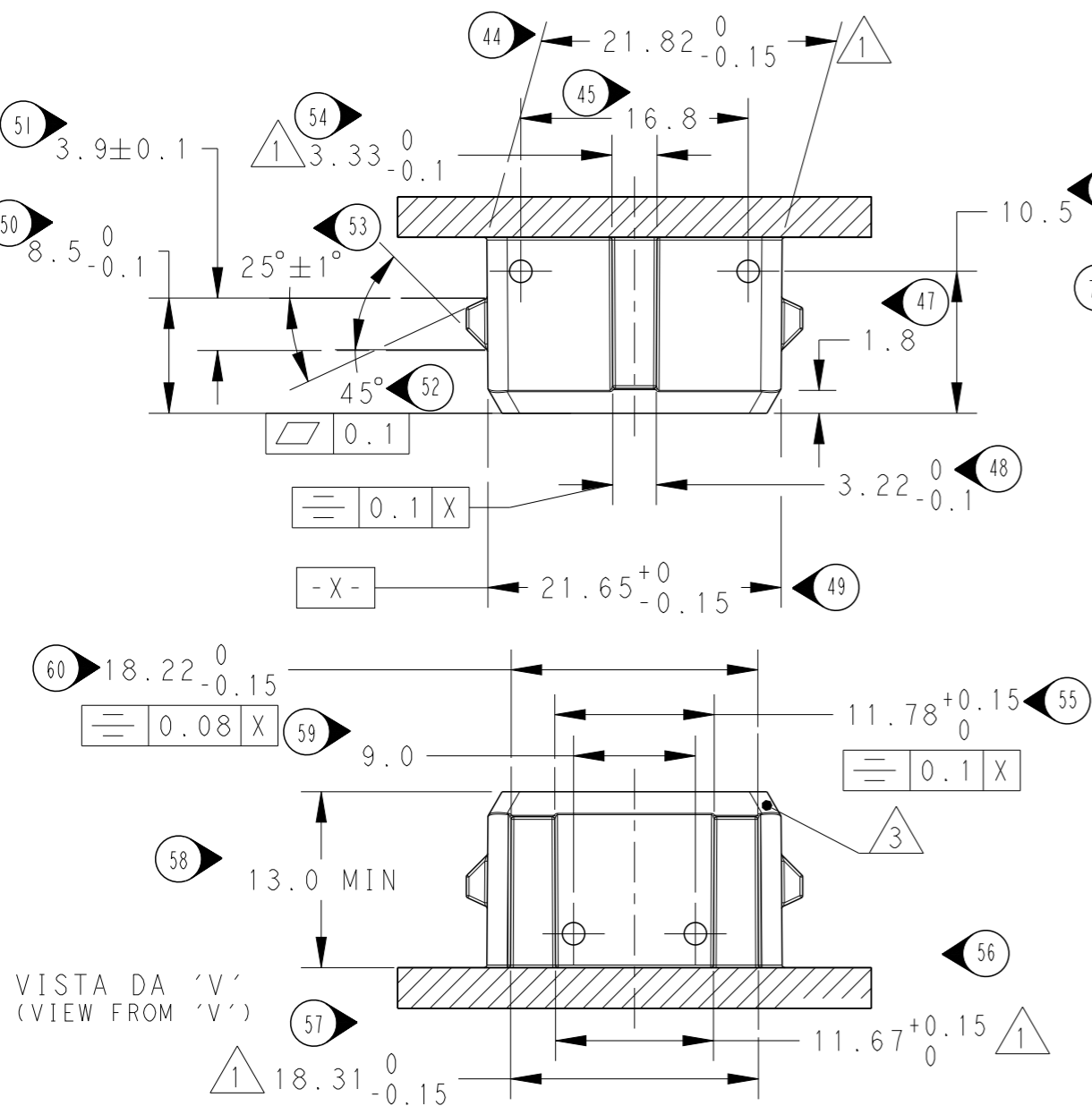


DETT. LINGUETTA TAB-SCALA 5:1- (TAB DETAIL)



- 1 QUOTE APPLICABILI PER SFORMATURA PEZZO (DRAFT PERMITTED TO FACILITATE REMOVAL OF PART FROM THE MOULD)
- 2 MATERIALE LINGUETTE, LEGA DI RAME STAGNATA, ES. OTTONE STAGNATO. (TAB CONTACT MATERIAL, TIN PLATED COPPER ALLOY, E.G BRASS TIN PLATED)
- 3 MATERIALE BLOCCHETTO, TERMOPLASTICO CARICATO FIBRA VETRO. (HOUSING MATERIAL, THERMOPLASTIC, GLASS FIBER FILLED)

FORMA ALTERNATIVA PERMESSA CON RAGGIO (ALLOWED ALTERNATIVE PROFILE WITH RADIUS)



THIS DRAWING IS A CONTROLLED DOCUMENT.		DWN E. CINI 9 NOV 90	STE TE Connectivity	
		CHK C. TARTARI 13 OCT 92		
DIMENSIONS: mm	TOLERANCES UNLESS OTHERWISE SPECIFIED:	APVD -	NAME 3 W.SPLASH PROOF CONN.ASS'Y WITH SECONDARY LOCK	
	0 PLC ±-	PRODUCT SPEC -	SIZE A3	
	1 PLC ±0.3	APPLICATION SPEC -	CAGE CODE -	DRAWING NO C-282191
	2 PLC ±-	WEIGHT -	RESTRICTED TO -	
	3 PLC ±-			
	4 PLC ±-			
	ANGLES ±2°			
MATERIAL -	FINISH -	CUSTOMER DRAWING	SCALE 5:2	SHEET 2 OF 2
				REV P3

Mouser Electronics

Authorized Distributor

Click to View Pricing, Inventory, Delivery & Lifecycle Information:

[TE Connectivity:](#)

[282191-1](#)