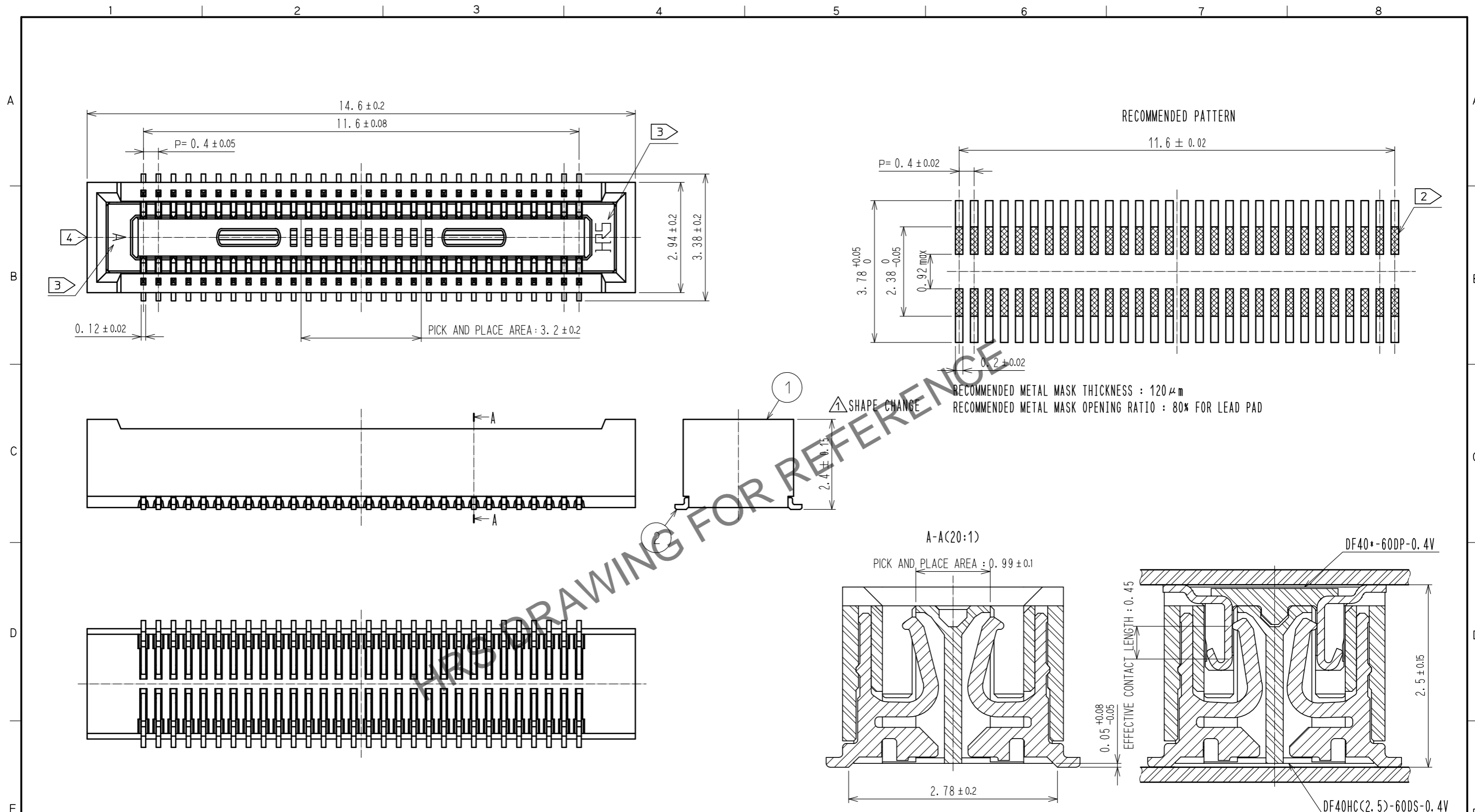


Oct.1.2025 Copyright 2025 HIROSE ELECTRIC CO., LTD. All Rights Reserved.
 In case of consideration for using Automotive equipment / device which demand high reliability, kindly contact our sales window correspondents.

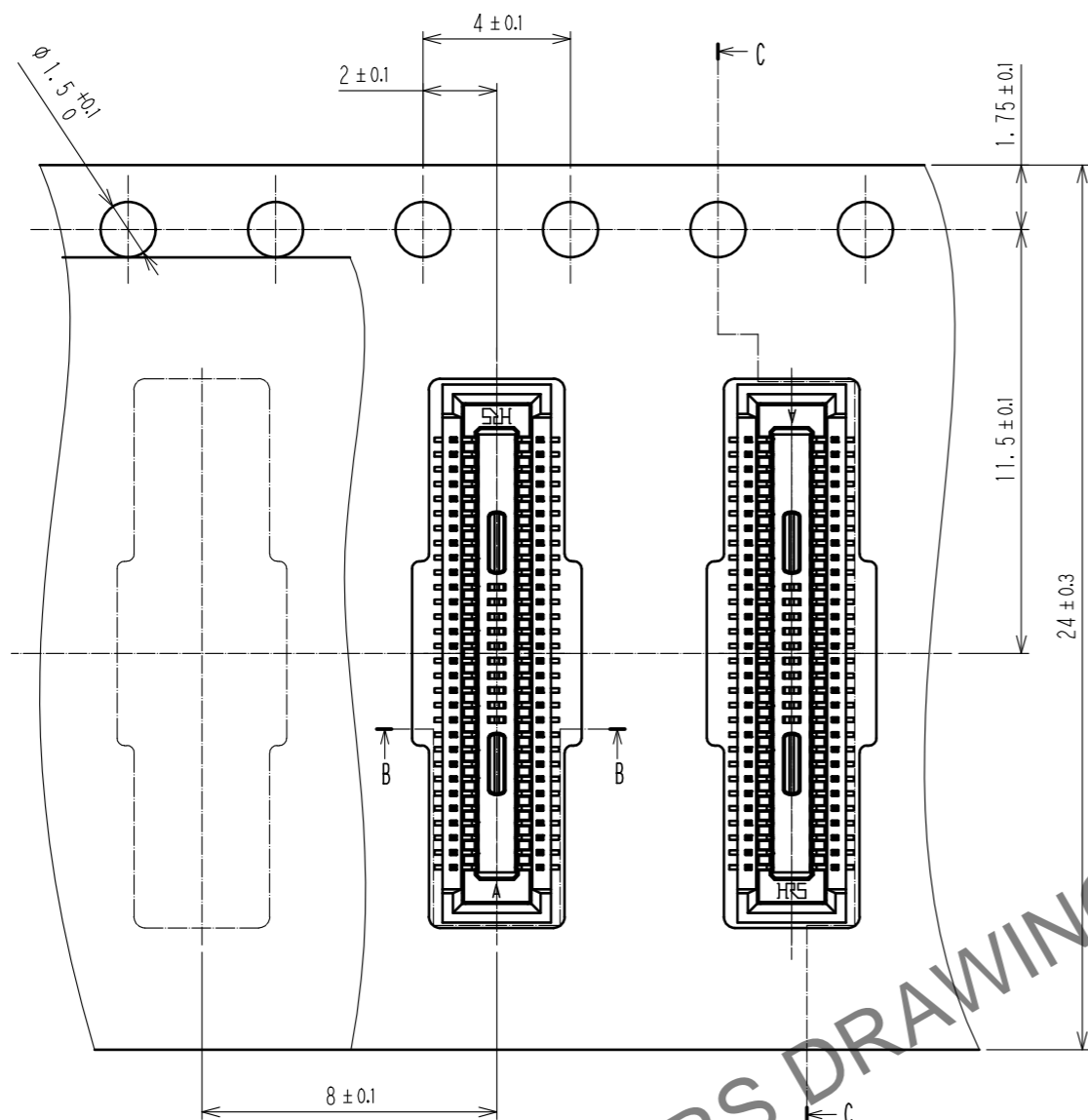


NOTE 1. ALL LEADS CO-PLANARITY SHALL BE 0.1 MAX.
 2. IS NO PATTERN AREA OTHER THAN THE SAME CIRCUIT.
 3. HRS MARK AND CAV NO. IS INDICATED IN APPROXI POSITION SHOWN.
 4. GATE POSITION IS POSITIONED IN APPROXIMAL AREA SHOWN.

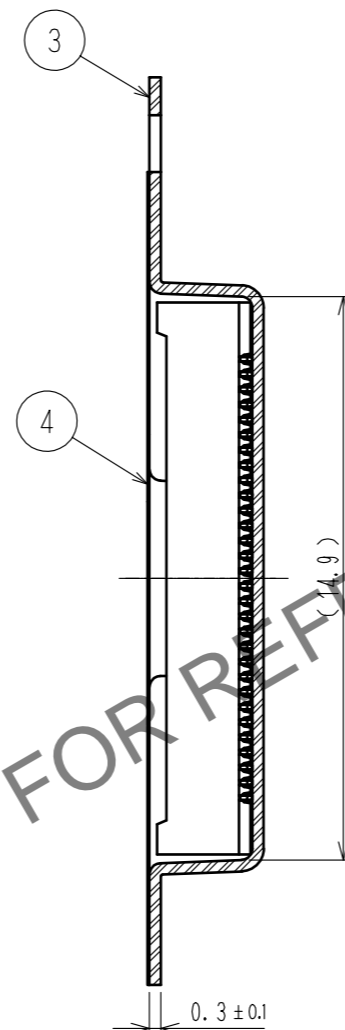
| | | | | | | | |
|------------------------|-----------------|---|------------------------------------|--------------------------|------------------------------|------------|----------|
| 2 | PHOSPHOR BRONZE | CONTACT AREA: GOLD $0.05 \mu\text{m}$ MIN | 5 | PS | BLACK | | |
| | | SMT LEAD: GOLD $0.05 \mu\text{m}$ MIN | 4 | POLYESTER | CLEAR, COVER TAPE | | |
| | | UNDERPLATING: NICKEL $1 \mu\text{m}$ MIN | 3 | PS | CLEAR, EMBOSSED CARRIER TAPE | | |
| 1 | LCP | BLACK, UL94V-0 | | | | | |
| NO. | MATERIAL | FINISH . REMARKS | NO. | MATERIAL | FINISH . REMARKS | | |
| UNITS | | SCALE | COUNT | DESCRIPTION OF REVISIONS | DESIGNED | CHECKED | DATE |
| mm | | 10 : 1 | 1 | DIS-H-00007018 | RH. KAGAMI | YK. SATAKE | 20201211 |
| APPROVED : MO. ISHIDA | | 20161005 | DRAWING NO. EDC-316711-58-01 | | | | |
| CHECKED : TS. MIYAZAKI | | 20161005 | PART NO. DF40HC(2.5)-60DS-0.4V(58) | | | | |
| DESIGNED : SH. HOSODA | | 20161005 | CODE NO. CL0684-4085-8-58 | | | | |
| DRAWN : SN. NUMAZAKI | | 20161004 | | | | | |

Oct.1.2025 Copyright 2025 HIROSE ELECTRIC CO., LTD. All Rights Reserved.
In case of consideration for using Automotive equipment / device which demand high reliability, kindly contact our sales window correspondents.

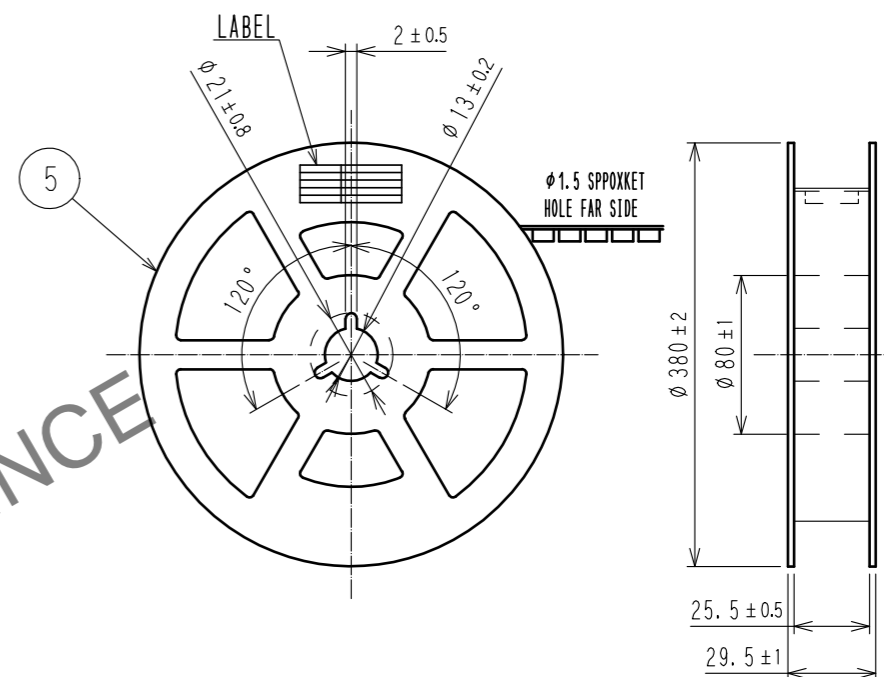
SCALE (5:1)



C-C(5:1)



STYLE AND DIMENSION OF REEL (FREE SIZE)

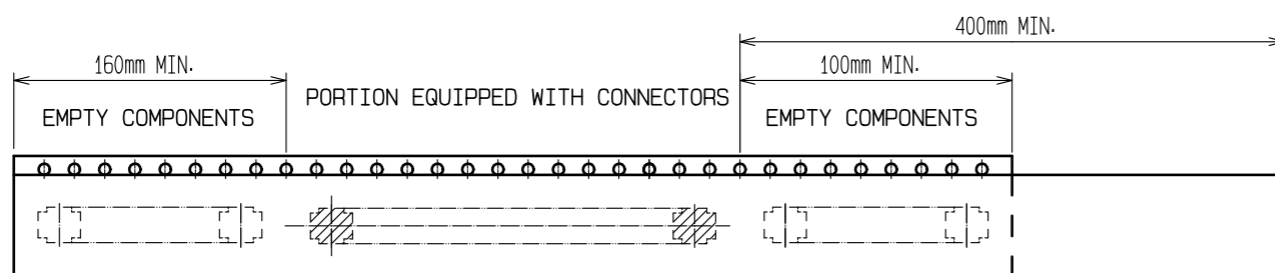
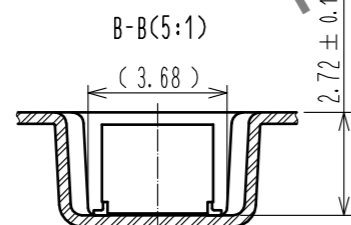


8 > DETAIL OF PART NO. LABEL

| | |
|-------|---------------------------|
| 製造年月日 | ** ** * |
| 製品コード | CL684-4085-8-51 |
| 製品名 | DF40HC(2.5)-60DS-0.4V(51) |
| 数量 | 3000 |
| 納入者 | ヒロセ電機(株) |

HRS DRAWING FOR REFERENCE

DIRECTION OF UNREELING →



- NOTES)
5. PER REEL 3000 CONNECTORS.
 6. THE DIMENSIONS IN PARENTHESES ARE FOR REFERENCE.
 7. REFER TO JIS C 0806(PACKING OF COMPONENTS FOR AUTOMATIC HANDLING)
 8. DETAIL OF PART NO. LABEL IS WRITTEN IN JAPANESE.
- PRODUCTION DATE:
 PRODUCT CODE: CL684-4085-8-51
 PART NUMBER: DF40HC(2.5)-60DS-0.4V(51)
 NUMBER OF PIECES: 3000 PIECES
 SUPPLIER NAME: HIROSE ELECTRIC CO., LTD.

| | | |
|------------|-------------|---------------------------|
| HRS | DRAWING NO. | EDC-316711-58-01 |
| | PART NO. | DF40HC(2.5)-60DS-0.4V(58) |
| | CODE NO. | CL0684-4085-8-58 |