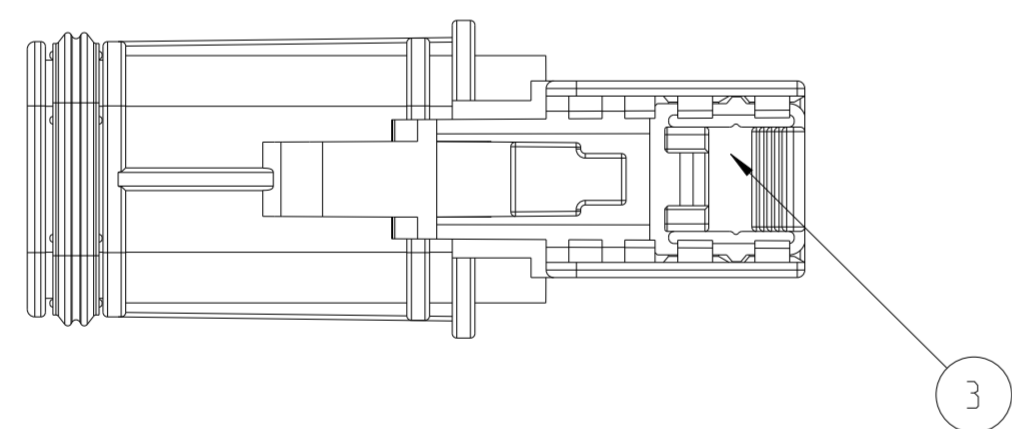
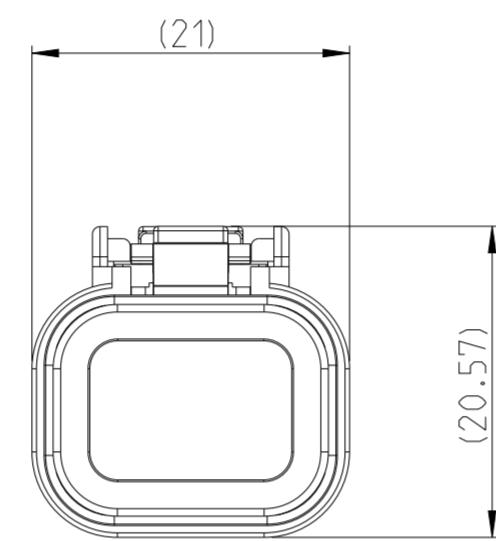
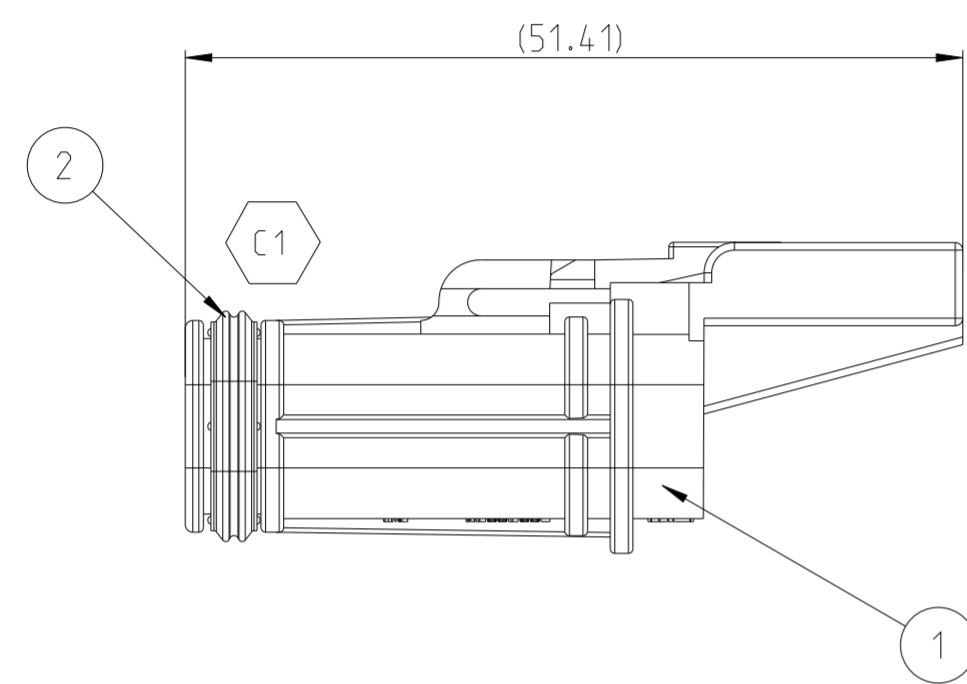
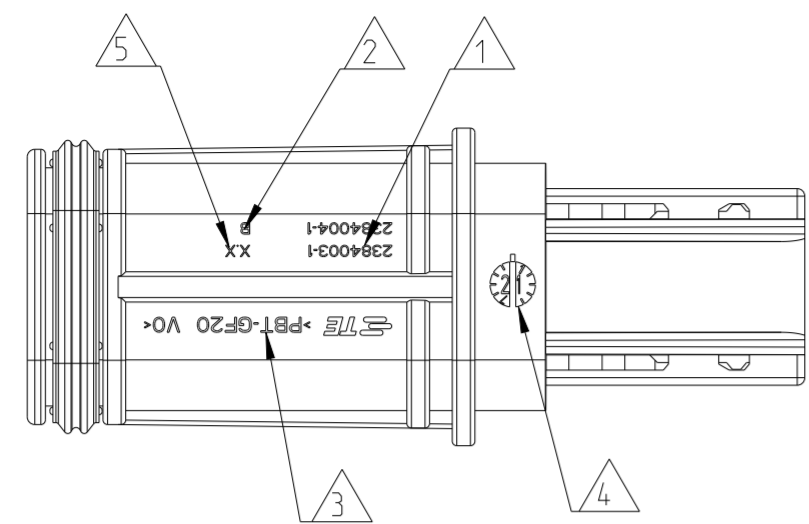


P	LTR	DESCRIPTION	DATE	DWN	APVD
A1		Packaging changed and Rev. corr.	13JAN2022	KS	JB
B		Radius added	18MAR2022	KS	JB
C		Radial seal updated	20JUN2022	KS	JB
C1		Seal design corrected	23JUN2022	KS	JB



NOTES

Bemerkungen

- 1 TE CONNECTIVITY (TE) ORDER-NUMBER
TE Connectivity (TE) Bestellnummer
- 2 REVISION OF THE MOLD
Werkzeugaenderungsindex
- 3 MATERIAL MARKING ACCORDING TO VDA 260
Materialkennzeichnung nach VDA 260
- 4 PRODUCTION DATE
Produktionsdatum
- 5 MOLD CAVITY MARKING
Nestmarkierung
- 7 PACKAGING ACCORDING TO ICTAP007-ICT AND APPROVED BY TE
Verpackung nach ICTAP007-ICT und genehmigt von TE
- 8 SUITABLE TO INTERFACE 208-18176
Passend zu Schnittstelle 208-18176

QTY REQD PER ASSY TCPN	PARTS LIST
- 1	776467-1 CPA CPA RED rot 3
- 1	2390719-1 Seal Dichtung LIGHT BLUE blau 2
- 1	2384004-1 DT HIGH SPEED BLINDSTOPFEN HOUSING DT Highspeed Blindstopfen Gehaeuse BLACK schwarz 1
- -1	PART/TCPN NO. DESCRIPTION COLOUR ITEM NO.
- A	REVISION OF EACH ASSY NO (WHEN BLANK, USE DWG REVISION)
- 9.1	WEIGHT OF EACH ASSY NO (g)

DIMENSION AND TOLERANCES ACCORDING TO:
Bemaßungen und Toleranzen gemäß:
DIN ISO 20457
DIN EN ISO 8015 (AD) - DIN EN ISO 291
DIN EN ISO 14405-1/-2/-3

THIS DRAWING IS A CONTROLLED DOCUMENT.

DWN	K. Schang	05MAR2021
CHK	S. Helm	10MAR2021
APVD	J. Barth	10MAR2021

TE Connectivity

NAME: DT HIGH SPEED Blind Plug Assy
DT Highspeed Blindstopfen Baugruppe

SIZE	A2	CAGE CODE	00779	DRAWING NO	C-2384003	RESTRICTED TO	-
CUSTOMER DRAWING	SCALE	2:1	SHEET	1 OF 1	REV	C1	

Mouser Electronics

Authorized Distributor

Click to View Pricing, Inventory, Delivery & Lifecycle Information:

[TE Connectivity:](#)

[2384003-1](#)