

PBES16N40R ✓ ACTIVE

Alcoswitch | ALCOSWITCH PBES16

TE Internal #: 2381881-1

Push Button Switches, Single Pole - Single Throw Configuration (Pole-Throw), Emergency Stop, 1 Actuator, Extended Actuator Profile, ALCOSWITCH PBES16

[View on TE.com >](#)



Relays, Contactors & Switches > Switches > Push Button Switches



Configuration (Pole-Throw): **Single Pole - Single Throw**

Push Button Switch Product Type: **Emergency Stop**

Number of Actuators: **1**

Actuator Profile: **Extended**

Bushing Style: **Threaded**

Features

Product Type Features

Switch Type	Pushbutton
Dust Proof	Yes
Push Button Switch Product Type	Emergency Stop
Illuminated	No
Actuator Style	Top

Configuration Features

ESD Grounding Terminal	Without
Detent Style	Audible
Ganged	No
Panel Cutout Size	16 (Diameter) mm [.63 (Diameter) in]
Configuration (Pole-Throw)	Single Pole - Single Throw
Number of Actuators	1
Snap Action	With
Tactile	Yes



Operating Function	Maintained
--------------------	------------

Electrical Characteristics

Push Button Switch Voltage Rating	120 VAC
-----------------------------------	---------

Body Features

Seal Type	Rubber O-Ring
-----------	---------------

Actuator Force	2040 g[72 oz]
----------------	---------------

Case Material	PPA
---------------	-----

Actuator Material	Polyamide
-------------------	-----------

Actuator Profile	Extended
------------------	----------

Bushing Style	Threaded
---------------	----------

Bushing Thread Size	M16 x 1
---------------------	---------

Actuator Color	Red
----------------	-----

Contact Features

Type of Contact	NC
-----------------	----

Contact Base Material	Copper Alloy
-----------------------	--------------

Push Button Switch Contact Current Rating	3 A
---	-----

Termination Features

Termination Type	Wire Lugs
------------------	-----------

Mechanical Attachment

Attachment Method	Screw-On
-------------------	----------

Mounting Angle	Vertical
----------------	----------

Push Button Switch Mounting Type	Panel
----------------------------------	-------

Dimensions

Actuator Length	19 mm[.75 in]
-----------------	---------------

Bushing Diameter	16 mm[.63 in]
------------------	---------------

Bushing Length	42.4 mm[1.67 in]
----------------	------------------

Usage Conditions

Oil-Tight	No
-----------	----

Industry Standards

IP Rating	IP65
-----------	------

Packaging Features



Packaging Method	Bulk
------------------	------

Product Compliance

[For compliance documentation, visit the product page on TE.com>](#)

EU RoHS Directive 2011/65/EU	Compliant
EU ELV Directive 2000/53/EC	Compliant
China RoHS 2 Directive MIIT Order No 32, 2016	No Restricted Materials Above Threshold
EU REACH Regulation (EC) No. 1907/2006	Current ECHA Candidate List: JAN 2023 (233) Candidate List Declared Against: JAN 2023 (233) Does not contain REACH SVHC
Halogen Content	Low Halogen - Br, Cl, F, I < 900 ppm per homogenous material. Also BFR/CFR/PVC Free
Solder Process Capability	Not reviewed for solder process capability

Product Compliance Disclaimer

This information is provided based on reasonable inquiry of our suppliers and represents our current actual knowledge based on the information they provided. This information is subject to change. The part numbers that TE has identified as EU RoHS compliant have a maximum concentration of 0.1% by weight in homogenous materials for lead, hexavalent chromium, mercury, PBB, PBDE, DBP, BBP, DEHP, DIBP, and 0.01% for cadmium, or qualify for an exemption to these limits as defined in the Annexes of Directive 2011/65/EU (RoHS2). Finished electrical and electronic equipment products will be CE marked as required by Directive 2011/65/EU. Components may not be CE marked. Additionally, the part numbers that TE has identified as EU ELV compliant have a maximum concentration of 0.1% by weight in homogenous materials for lead, hexavalent chromium, and mercury, and 0.01% for cadmium, or qualify for an exemption to these limits as defined in the Annexes of Directive 2000/53/EC (ELV). Regarding the REACH Regulation, the information TE provides on SVHC in articles for this part number is based on the latest European Chemicals Agency (ECHA) 'Guidance on requirements for substances in articles' posted at this URL: <https://echa.europa.eu/guidance-documents/guidance-on-reach>

Compatible Parts



Also in the Series | **ALCOSWITCH PBES16**



Push Button Switches(42)

Customers Also Bought



TE Part #YDTS20T17-26BNV001
RECP ASSY



TE Part #K1160479
Push button switch TS-211-GE11



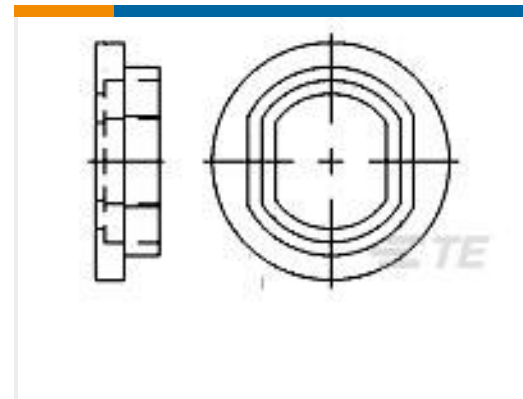
TE Part #2-330312-2
MINIATURE THREADED
RECEPTACLES



TE Part #ZPF000000000015349
DMC-M 44-01 A1064



TE Part #016897-000
101A031-25/86-0



TE Part #329487
MIN THRD,BUSHING



TE Part #ZPF000000000008208
983-6KE 10-06 PN-L



TE Part #YACT24JD18AN000000
JAM NUT RECEPTACLE

Documents

Product Drawings

[PBES16 23.8 RB NO LAMP 000 1NC](#)

English

CAD Files

[3D PDF](#)

3D

Customer View Model

[ENG_CVM_CVM_2381881-1_A.2d_dxf.zip](#)

English

Customer View Model

[ENG_CVM_CVM_2381881-1_A.3d_igs.zip](#)

English

Customer View Model

[ENG_CVM_CVM_2381881-1_A.3d_stp.zip](#)

English

By downloading the CAD file I accept and agree to the [Terms and Conditions](#) of use.



[Datasheets & Catalog Pages](#)

[ALCOSWITCH PBES16 Series](#)

English