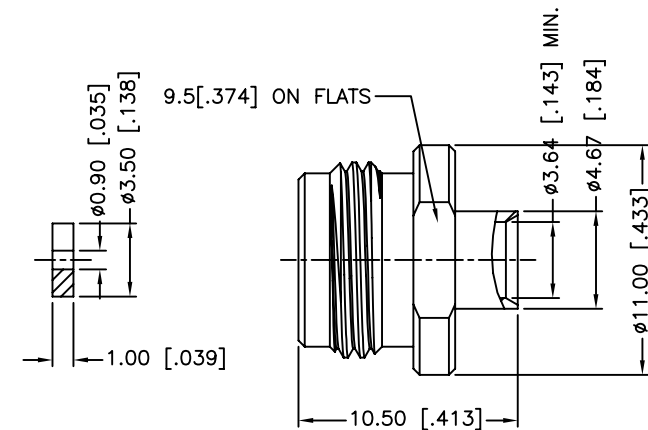
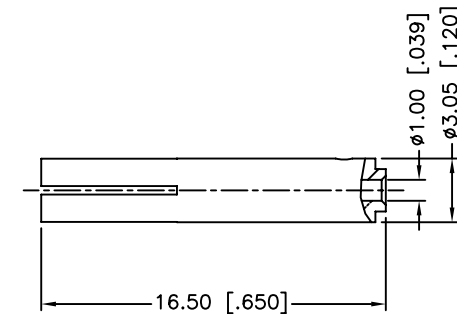
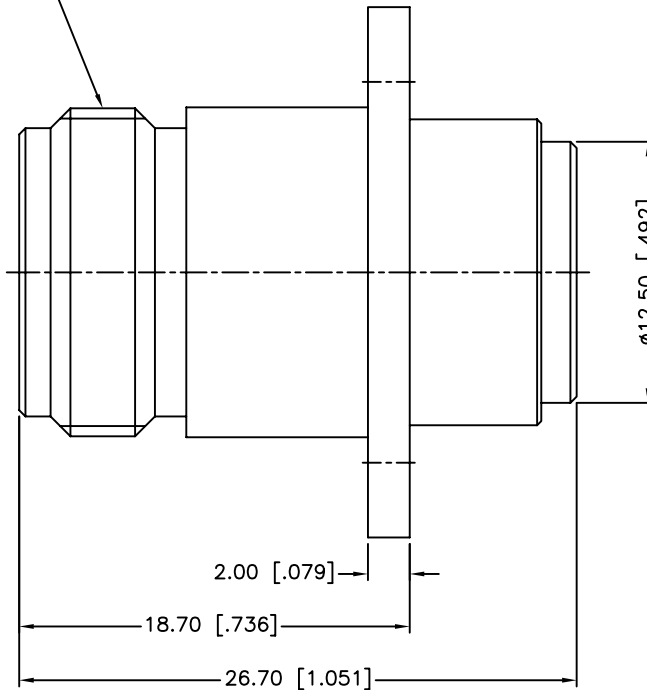
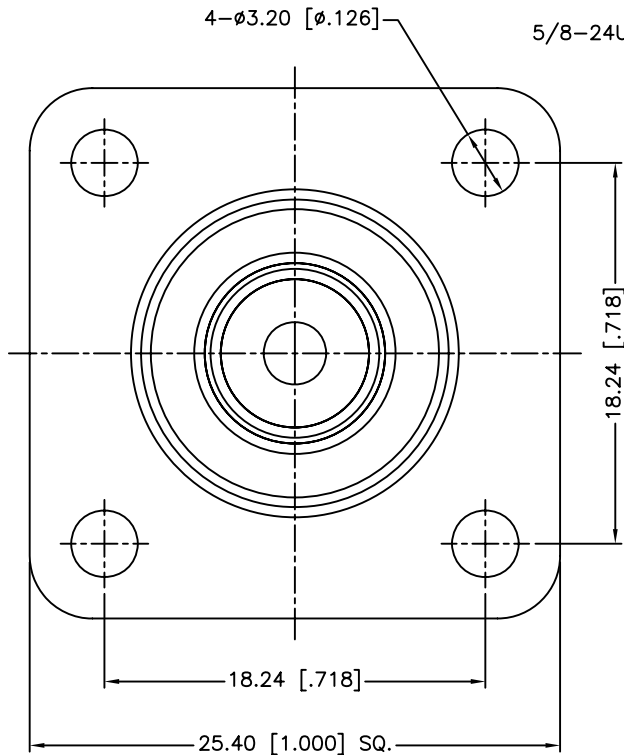


RECOMMENDED
CABLE STRIPPING DIM'S

REV.	DATE	ECR NO.	DESCRIPTION
NC	08/18/00	XXXXXX	INITIAL RELEASE
A	04/11/03	XXXXXX	MODIFY PLATING SPECS/UPDATE DRAWING FORMAT
B	01/30/04	XXXXXX	MODIFY CONTACT PIN AND INSULATOR
C	02/02/05	XXXXXX	MODIFY CONTACT PIN
D	07/25/05	XXXXXX	MODIFY SOLDER NUT PLATING TO GOLD
E	04/02/08	XXXXXX	REVISE CABLE STRIPPING DIMENSION TO 3.5MM, INSULATOR TO PTFE
F	01/27/14	2690	CORRECT SPACER (INSULATOR) THICKNESS, UPDATE DRAWING FORMAT



1. IMPEDANCE: 50 OHM
2. FREQUENCY RANGE: 0-6 GHZ
3. VSWR: 1.3 MAX.
4. DIELECTRIC WITHSTANDING VOLTAGE: 2500 VRMS, MIN.
5. DURABILITY: 500 CYCLES MIN.
6. TEMPERATURE RANGE: -65°C TO +165°C
7. CONTACT PIN TO SOLDER

QTY	FINISH	MATERIAL	DESCRIPTION
1	GOLD	BRASS	SOLDER NUT
1	NATURAL	PTFE	INSULATOR
1	GOLD	PHOSPHOR BRONZE	CONTACT PIN
1	NEXCOTE	BRASS	INNER BODY
1	NATURAL	PTFE	INSULATOR
1	NEXCOTE	BRASS	OUTER BODY
QTY	FINISH	MATERIAL	DESCRIPTION

UNLESS OTHERWISE SPECIFIED DIMENSIONS ARE IN MILLIMETERS. DIMENSIONS IN [] ARE IN INCHES AND FOR CUSTOMER REFERENCE ONLY.
UNLESS OTHERWISE SPECIFIED
TOLERANCES FOR MILLIMETERS ARE:
 <0.5 ± 0.05mm
 0.5 - 6mm ± 0.10mm
 6 - 30mm ± 0.20mm
 30 - 120mm ± 0.30mm
 ANGLES ± 1°
 UNLESS OTHERWISE SPECIFIED
 TOLERANCES FOR INCHES ARE:
 <.020 ± 0.002"
 .020 - .236 = ± 0.004"
 .236 - 1.180 = ± 0.007"
 1.180 - 4.724 = ± 0.012"
 ANGLES ± 1°
 DO NOT SCALE DRAWING

APPROVALS	DATE
DRAWN M.ZHANG	01/27/14
CHECKED	
ISSUED	
SHEET 1 OF 1	
CAD FILE C:/CONNEX/172170.DWG	

Amphenol Connex			
PART DESCRIPTION			
N PANEL DIRECT SOLDER JACK (FOR .141" SEMI RIGID CABLE)			
PART NO.			
172170			
DWG. NO.	172170.DWG	REV.	F
SIZE	A	SCALE	NA

Mouser Electronics

Authorized Distributor

Click to View Pricing, Inventory, Delivery & Lifecycle Information:

[Amphenol:](#)

[172170](#)