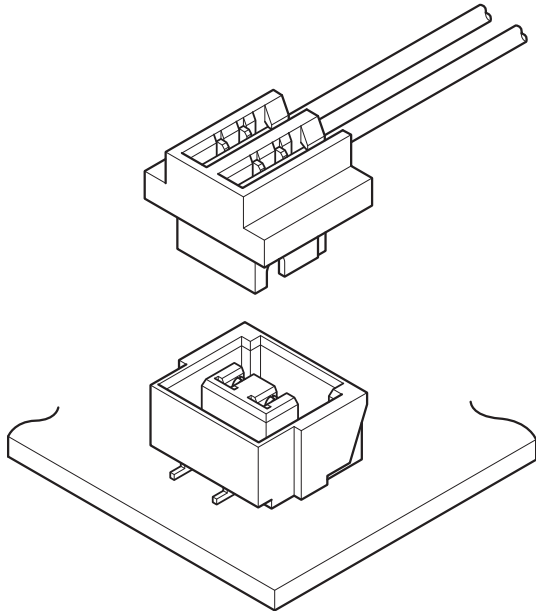




ASR CONNECTOR

1.0 mm pitch/Wire-to-Board connectors/IDC style and Mating style



- Compact size for space-constrained applications
- Twin U-slot contact structure for reliable IDC connection
- 3-point grip structure
- SMT header designed for automatic pick and place machines

■ Specifications

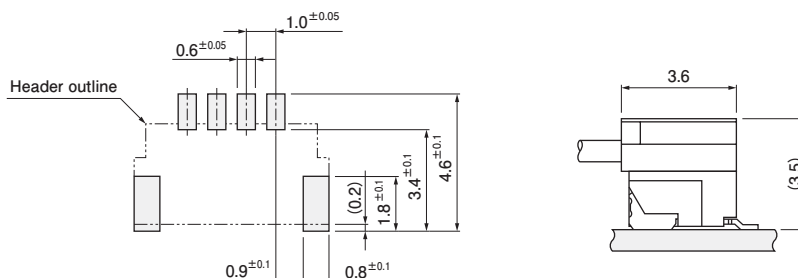
- Current rating: 0.7 A DC
- Voltage rating: 50 V DC
- Temperature range: -25°C to +85°C
(including temperature rise in applying electrical current)
- Contact resistance: Initial value/ 30 mΩ max.
After test/ 40 mΩ max.
- Insulation resistance: 100 MΩ min.
- Withstanding voltage:
There shall be no breakdown or flashover while applying 500 VAC for one minute.
- Applicable wire:
Conductor size/ AWG #30
Conductor specification/ Tin-plated annealed copper, 7-strand
Insulation O.D./ ϕ 0.54 mm to ϕ 0.58 mm
- * Please refer to the "Handling Precautions for Terminals and Connectors" on our website (listed in the "Technical Documents" column on the Product Information page) before use.
- * RoHS2 compliance
- * Dimensional unit: mm
- * Contact JST for details.

■ Standards

For information on overseas standard registrations, please refer to the "List of Registered Overseas Standards" on our website (listed in the "Technical Documents" column on the Product Information page).

* Specifications registered to overseas standards may differ from the general specifications listed above.

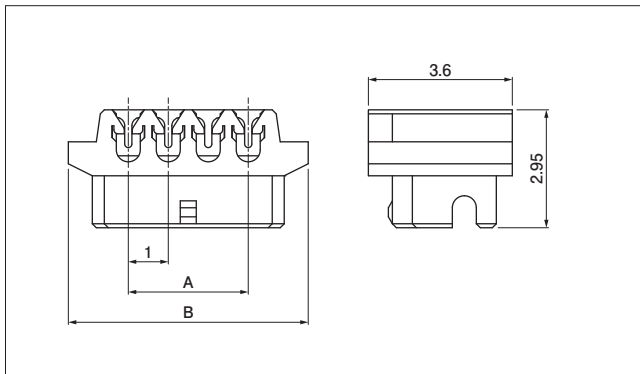
PC board layout and Assembly layout



- Note: 1. The PC board layout figure shown is viewed from the connector mounting surface.
2. Tolerance for the PCB pattern pitch shall be ± 0.05 and shall not accumulate.
3. The above dimensions are for reference only. Please contact JST for further details.

ASR CONNECTOR

Socket



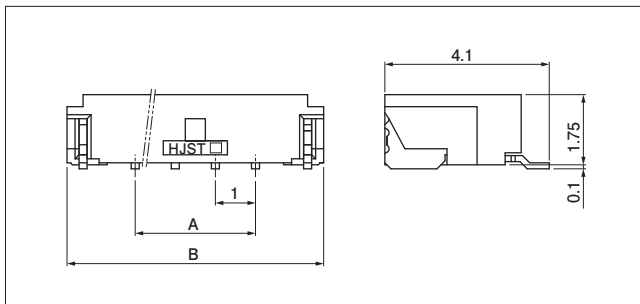
No. of circuits	Model No.	Dimensions (mm)		Q'ty/box
		A	B	
2	02ASR-30S	1.0	4.0	3,000
3	03ASR-30S	2.0	5.0	3,000
4	04ASR-30S	3.0	6.0	3,000

Material and Surface finish, etc.

Contact : Copper alloy, tin-plated
Housing : PA (GF), natural

Note: For flame retardant grade of resin material used, please refer to the "List of Registered Overseas Standards" on our website (listed in the "Technical Documents" column on the Product Information page).

Header



No. of circuits	Model No.	Dimensions (mm)		Q'ty/reel
		A	B	
2	BM02B-ASRS-TF	1.0	4.4	5,000
3	BM03B-ASRS-TF	2.0	5.4	5,000
4	BM04B-ASRS-TF	3.0	6.4	5,000

Material and Surface finish, etc.

Contact: Copper alloy, tin-plated
Housing: PA (GF), natural
Reinforcement: Copper alloy, tin-plated

Note: 1. This product displays (LF)(SN) on a label.
2. This product is supplied on embossed tape and reel packaging.
3. For flame retardant grade of resin material used, please refer to the "List of Registered Overseas Standards" on our website (listed in the "Technical Documents" column on the Product Information page).

Model number allocation

Socket

02 ASR - 30 S	
No. of circuits	02
Series name	ASR
Applicable wire: AWG #30	30
Color: S··Natural, K··Black	S

Header

BM 02 B - ASR S - TF	
Header type: SMT top entry type	BM
No. of circuits	02
Assembly product	B
Series name	ASR
Color: S··Natural, K··Black	S
Packaging style: Embossed taping	TF