

ACCLIMATE™

FLEXIBLE SEALED CIRCULAR SYSTEMS



FEATURES & BENEFITS

- Metal or plastic, 12 mm, 16 mm and 22 mm shells
- Choice of pin configuration and gender
- Bayonet-style latching systems meet IP68 requirements
- Cost-effective crimp version available (samtec.com/crimp)
- Variety of end 2 options for panel-to-board applications
- Mini push-pull latching system meets IP67 requirements for dust and waterproof sealing



Kitted components for efficient field assembly



Dust caps available

ACX-12

MAX

5.0
A m p s

No. of Pins
2, 4, 5

ACX-16

MAX

11.6
A m p s

No. of Pins
2, 10, 14

ACX-22

MAX

8.3
A m p s

No. of Pins
8, 20, 30

KEY SPECIFICATIONS

INSULATOR MATERIAL	TERMINAL MATERIAL	CONTACT MATERIAL	OPERATING TEMP RANGE	HOUSING
Thermoplastic	Brass	Brass/BeCu	-10 °C to +80 °C (ACX-12) -10 °C to +105 °C (ACX-16) -10 °C to +105 °C (ACX-22)	Thermoplastic (-P) Zinc Alloy (-M)

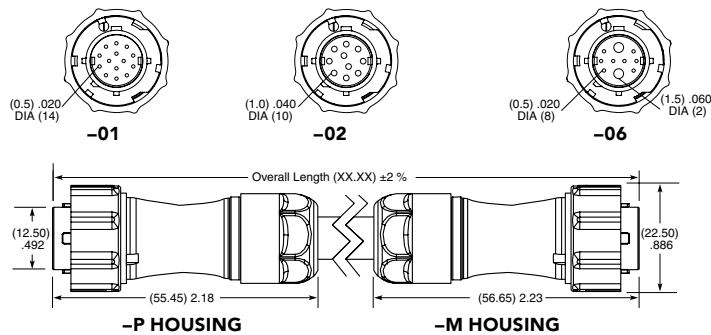
ACCLIMATE™

16 mm • IP68 SEALED CABLE ASSEMBLY

SERIES	16	LEAD STYLE	PLATING OPTION	LENGTH	END 1	END 2	HOUSING MATERIAL	KEYING OPTIONS
ACP Terminal		-01 = 0.5 mm DIA (14) terminals or sockets (28 AWG)	-G = 10 μ" (0.25 μm) Gold over 50 μ" (1.27 μm) Ni on contact	-"XX.XX" = Length in meters (00.25 m min. to 50.00 m max.) Standard lengths	-T = Terminal	-T = Terminal (ACP only)	-P = Plastic	-1 = Orange, 45°
ACR Socket		-02 = 1.0 mm DIA (10) terminals or sockets (24 AWG)			-S = Socket (N/A with End 2 -T)	-S = Socket (ACP only)	-M = Metal	
		-06 = 1.5 mm DIA (2) terminals or sockets (16 AWG) + 0.5 mm DIA (8) terminals or sockets (28 AWG)				-BC = Blunt Cut		
						-S1 = Connector determine by lead style. See chart for end 2 connector used. (ACR only)		

ACP-16

End 1/2 Mates:
ACP-16
ACR-16
ACRK-16

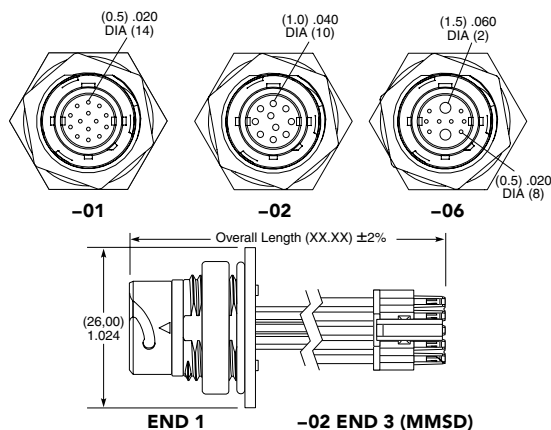


View complete specifications at: samtec.com?ACP-16

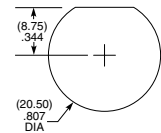
ACR-16

End 1 Mates:
ACP-16
ACPK-16

End 2 Mates:
TFM, IPL1, MPT



PANEL OPENING



LEAD STYLE	-S1 END 2	MATES WITH -S1
-01	SFSD (28 AWG)	TFM
-02	MMSD (24 AWG)	IPL1
-06	1 x SFSD (28 AWG)	TFM
	1 x MPSS (16 AWG)	MPT

View complete specifications at: samtec.com?ACR-16

CURRENT RATING

LEAD STYLE	PINS POWERED	CCC per PIN
-01	14	1.3 A
-02	10	2.6 A
-06	2 (plus 8 signal pins powered @ 1 A)	11.6 A

For general reference only. Contact AccliMate@samtec.com for applications requiring higher current carrying capacity.

KITS AVAILABLE

www.samtec.com?ACPK-16
www.samtec.com?ACRK-16

Note:
Some lengths, styles and options are non-standard, non-returnable.

Mouser Electronics

Authorized Distributor

Click to View Pricing, Inventory, Delivery & Lifecycle Information:

Samtec:

[ACR-12-01-G-00.20-S-S1-M-1](#) [ACR-22-01-G-00.50-S-S1-P-1](#) [ACR-22-03-G-00.50-S-BC-M-1](#) [ACR-22-03-G-00.50-S-S1-M-1](#) [ACR-22-03-G-00.50-S-S1-P-1](#) [ACR-22-03-G-00.50-S-BC-P-1](#) [ACR-22-01-G-00.50-S-S1-M-1](#) [ACR-22-01-G-00.50-S-BC-M-1](#) [ACR-22-01-G-00.50-S-BC-P-1](#) [ACR-16-01-G-00.50-S-S1-P-1](#) [ACR-16-01-G-00.50-S-S1-M-1](#) [ACR-16-01-G-00.50-S-BC-M-1](#) [ACR-16-01-G-00.50-S-BC-P-1](#) [ACR-12-02-G-00.50-S-S1-M-1](#) [ACR-12-02-G-00.50-S-BC-M-1](#) [ACR-12-02-G-00.50-S-S1-P-1](#) [ACR-12-02-G-00.50-S-BC-P-1](#) [ACR-12-05-G-00.50-S-BC-P-1](#) [ACR-12-05-G-00.50-S-BC-M-1](#) [ACR-12-05-G-00.50-S-S1-M-1](#) [ACR-12-05-G-00.50-S-S1-P-1](#) [ACR-12-04-G-01.00-T-BC-M-1](#)