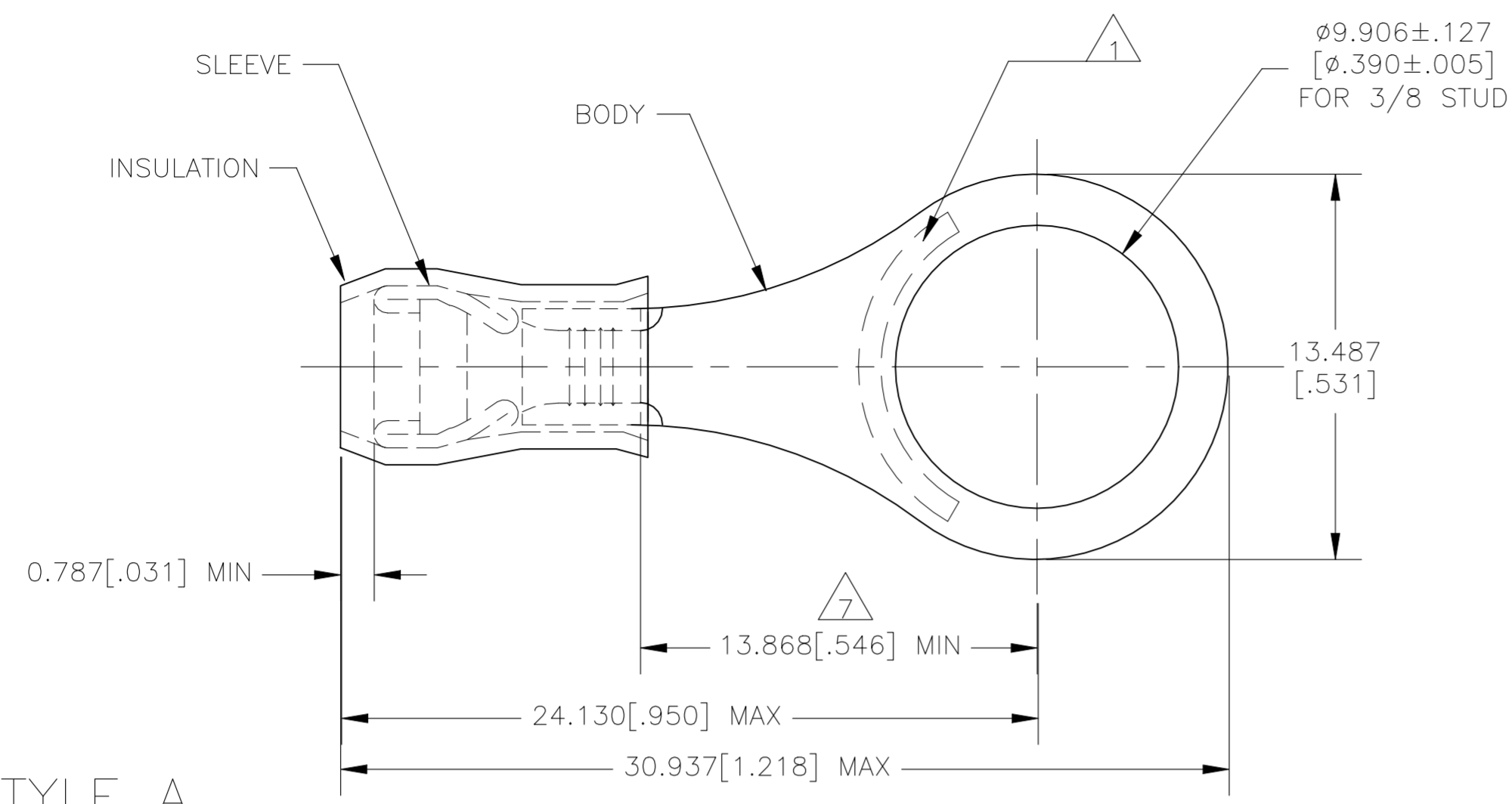


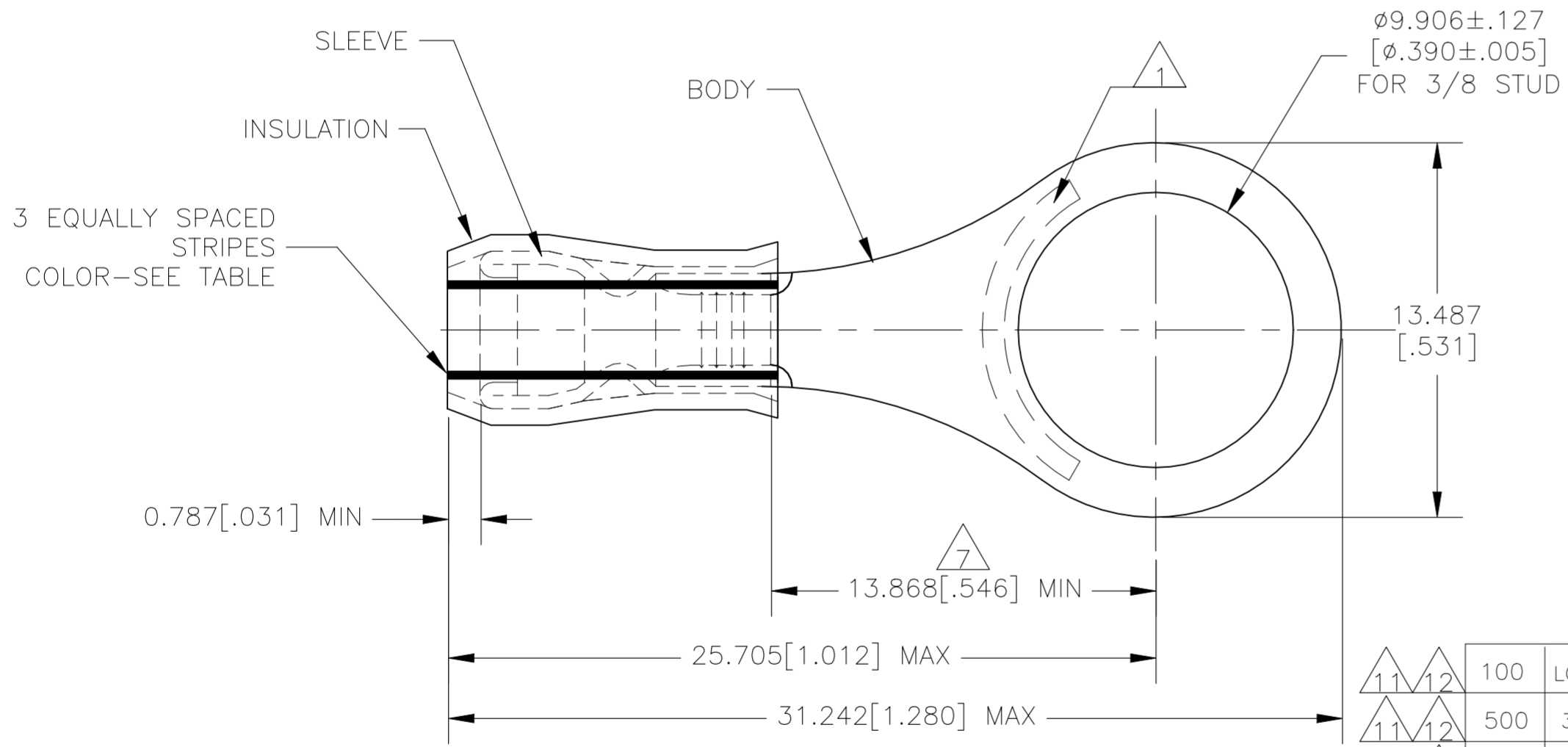
REVISIONS					
P	LTR	DESCRIPTION	DATE	DWN	APVD
N2		REVISED PER ECN-22-156403	03JUN2022	RK	CSD

<b>AMP</b> WIRE RANGE	E13288 Listed	LR7189 Certified
16-14 AWG SOLID OR STRANDED IR: STRANDED	16-14 AWG STRANDED	WIRE SIZE PER TABLE SOLID OR STRANDED IR: STRANDED

- STAMP "AMP - SEE TABLE" APPROX AS SHOWN.
- 2 WIRE INSULATION DIA: SEE TABLE.
- 3 BODY MATERIAL THK: 0.787[.031]±0.051[.002].
- BODY: TIN PLATE 0.00254[.000100] MIN EXT THK PER ASTM B545.
- SLEEVE: TIN PLATE 0.00254[.000100] MIN EXT THK PER ASTM B545.
- BODY & SLEEVE- CU PER ASTM B152  
INSULATION - NYLON PER ASTM D4066
- APPLIES FROM EDGE OF METAL WIRE BARREL TO CENTER OF STUD HOLE.
- MEETS MS25036-110, CLASS 1.
- MEETS M7928/1-45, CLASS 1.
- MEETS M7928/1-54, CLASS 1.
- UL LISTED
- CSA CERTIFIED



STYLE A



STYLE B  
INSULATION RESTRICTING

QTY	PACKAGE TYPE	STAMPING	WIRE INSUL DIA	WIRE SIZE	STRIPE COLOR	STYLE	BODY FINISH	SLEEVE FINISH	PART NO
100	LOOSE PIECE, BOX		2.667[.105]-3.810[.150]	16-14	--	A			8-320564-1
500	320564 ON TAPE		2.667[.105]-3.810[.150]	16-14	--	A			2-320564-3
500	LOOSE PIECE		1.981[.078]-3.302[.130]	14	GREEN	B			2-320564-2
500	LOOSE PIECE		1.600[.063]-3.302[.130]	16	BLUE	B			2-320564-1
500	LOOSE PIECE		2.667[.105]-3.810[.150]	16-14	--	A			320564

<b>CUSTOMER SERVICE SYSTEMS</b>		MAX RECOMMENDED OPERATING TEMPERATURE: 105°C[221°F] MAX	THIS DRAWING IS A CONTROLLED DOCUMENT.		DWN JR RUTH 13JAN10	TE Connectivity	
FOR ADDITIONAL PRODUCT INFORMATION OR COPIES OF DRAWINGS AND TECHNICAL DOCUMENTS	PRODUCT INFORMATION CENTER 1-800-522-6752	VOLTAGE RATING: 300 VOLT MAX	DIMENSIONS: mm[INCHES]	TOLERANCES UNLESS OTHERWISE SPECIFIED: 0 PLC ± - 1 PLC ± - 2 PLC ± - 3 PLC ± 0.127(.005) 4 PLC ± - ANGLES ± -	CHK T MICHELUTTI 13JAN10	NAME UL 486 A-B	
FOR APPLICATION TOOLING INFORMATION	TOOLING ASSISTANCE CENTER 1-800-722-1111	CIRCULAR MIL AREA: 1.04-2.62mm²[2,050-5,180] STRANDED OR SOLID		MATERIAL INSULATION	APVD T MICHELUTTI 13JAN10	PRODUCT SPEC 114-2157	APPLICATION SPEC
FOR ORDER ENTRY	1-800-526-5142	THIS DRAWING IS A CONTROLLED DOCUMENT FOR AMP INCORPORATED. IT IS SUBJECT TO CHANGE AND THE CONTROLLING ENGINEERING ORGANIZATION SHOULD BE CONTACTED FOR THE LATEST REVISION.			FINISH INSULATION	WEIGHT -	SIZE A2
				SCALE 5:1	CAGE CODE 00779	DRAWING NO C-320564	RESTRICTED TO -
				CUSTOMER DRAWING	SHEET 1 OF 1	REV N2	

320564

# Mouser Electronics

Authorized Distributor

Click to View Pricing, Inventory, Delivery & Lifecycle Information:

[TE Connectivity:](#)

[320564](#) [MS25036-110](#)