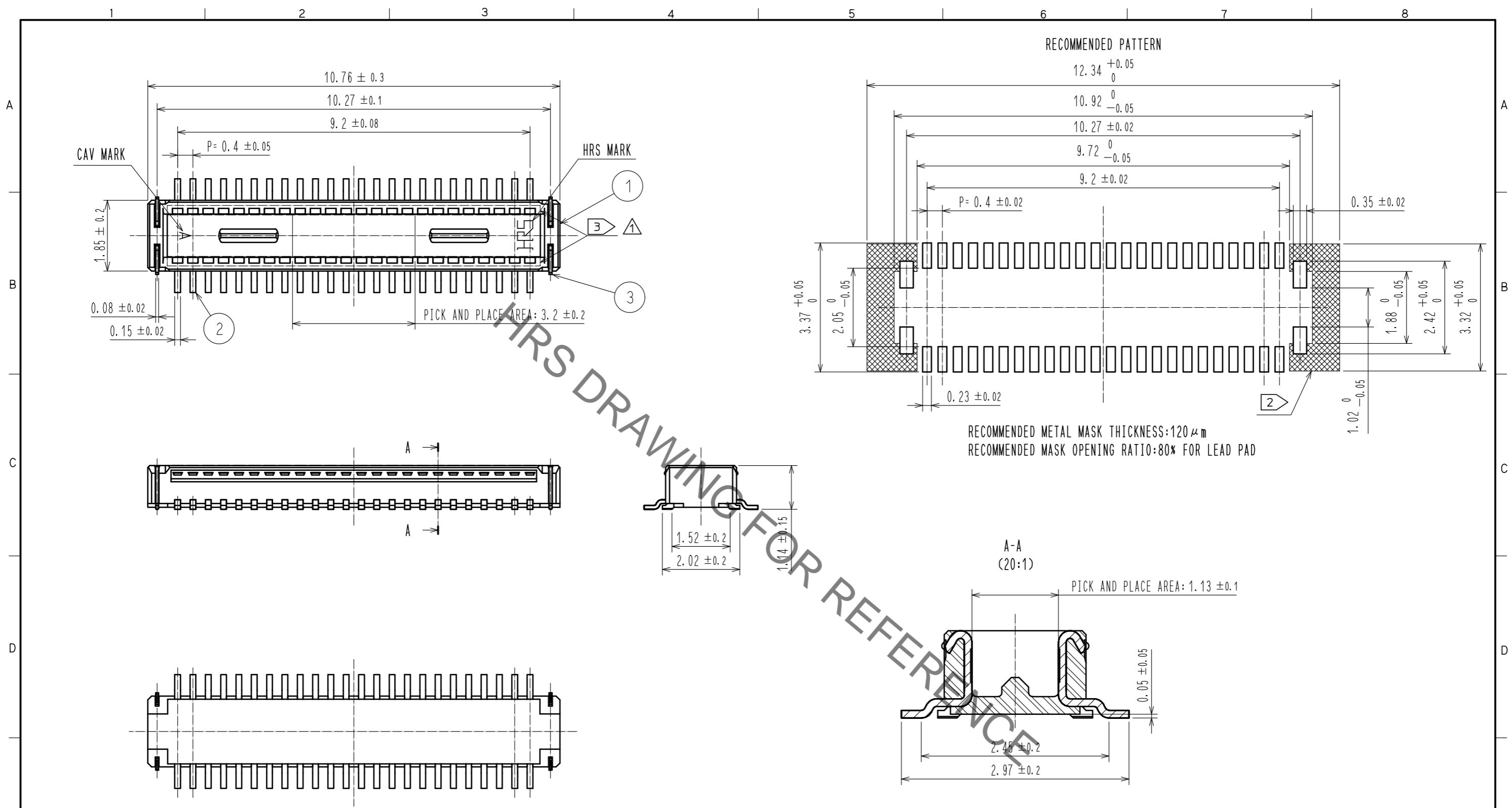


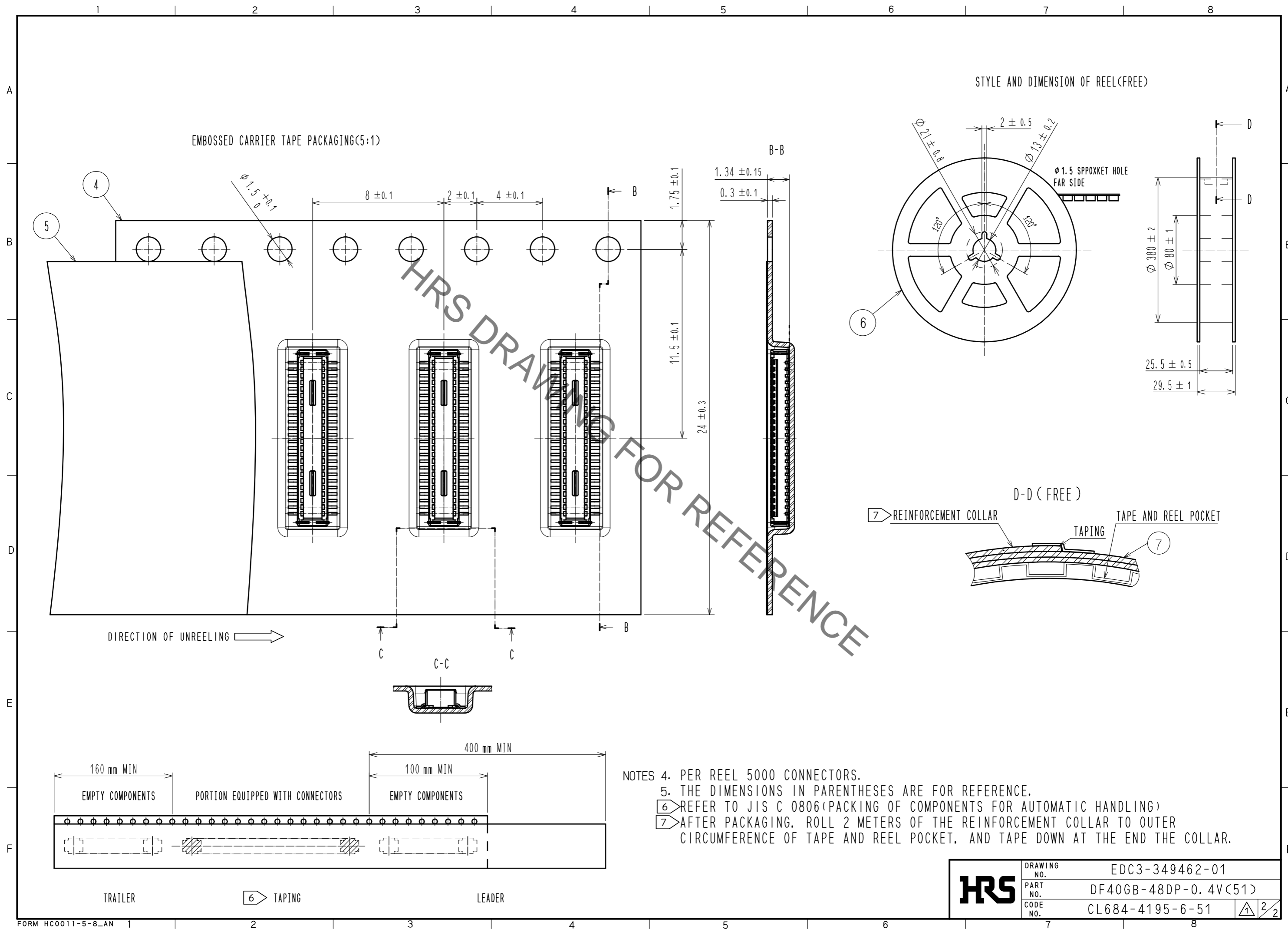
Jan.1.2022 Copyright 2022 HIROSE ELECTRIC CO., LTD. All Rights Reserved.  
In case of consideration for using Automotive equipment / device which demand high reliability, kindly contact our sales window correspondents.



NOTES 1. ALL LEADS METAL FITTINGS CO-PLANARITY SHALL BE 0.1mm MAX.  
 2 IS NON-CONDUCTIVE AREA.  
 3 THERE IS A POSSIBILITY THAT THE RESIN WILL BE EXPOSED AT THIS AREA.  
 BUT THIS WILL NOT AFFECT THE CONTACT RELIABILITY.

2	PHOSPHOR BRONZE	CONTACT AREA: GOLD 0.05 $\mu\text{m}$ MIN SMT LEAD: GOLD 0.05 $\mu\text{m}$ MIN UNDERPLATING: NICKEL 1 $\mu\text{m}$ MIN	7	PS	CLEAR(REINFORCEMENT COLLAR)
1	LCP	BLACK, UL94V-0	6	PS	BLACK(PLASTIC REEL)
			5	POLYESTER	CLEAR(COVER TAPE)
			4	PS	CLEAR(EMBOSSED CARRIER TAPE)
			3	PHOSPHOR BRONZE	CONTACT AREA: GOLD 0.05 $\mu\text{m}$ MIN SMT LEAD: GOLD 0.05 $\mu\text{m}$ MIN UNDERPLATING: NICKEL 1 $\mu\text{m}$ MIN
NO.	MATERIAL	FINISH . REMARKS	NO.	MATERIAL	FINISH . REMARKS
UNITS mm		SCALE 10 : 1	COUNT 2	DESCRIPTION OF REVISIONS DIS-H-00006346	DESIGNED PAN YIWEI
				APPROVED : KH. IKEDA 20130218	CHECKED YK. SATAKE
				CHECED : AR. TAKAHASHI 20130216	DATE 20200928
				DESIGNED : TY. YAMASAKI 20130216	
				DRAWN : KR. AJITO 20130216	
HIROSE ELECTRIC CO., LTD.			DRAWING NO. EDC3-349462-01 PART NO. DF40GB-48DP-0.4V(51) CODE NO. CL684-4195-6-51		

Jan.1.2022 Copyright 2022 HIROSE ELECTRIC CO., LTD. All Rights Reserved.  
 In case of consideration for using Automotive equipment / device which demand high reliability, kindly contact our sales window correspondents.



<b>HRS</b>	DRAWING NO.	EDC3-349462-01
	PART NO.	DF40GB-48DP-0.4V(51)
	CODE NO.	CL684-4195-6-51
		2/2

# Mouser Electronics

Authorized Distributor

Click to View Pricing, Inventory, Delivery & Lifecycle Information:

[Hirose Electric:](#)

[DF40GB-48DP-0.4V\(51\)](#)