

[Find by Feature](#)
[Browse by Category](#)
[Share](#)
 [Search →](#)

Part number or keyword

[Search Results \(0\)](#) [Search Options](#)

Select a product type to narrow your search:

Terminal

Results with your selections: --

Blade size [mm]

Terminal family

Material

Sealing

Gender

Plated

Inside Ring Diameter [mm]

Outside Ring Diameter [mm]

Minimum Cable Core Cross Section [mm<sup>2</sup>]

Maximum Cable Core Cross Section [mm<sup>2</sup>]

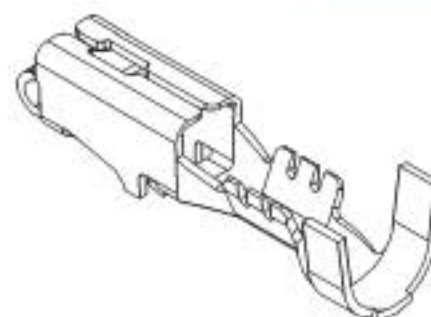
Minimum Cable Diameter [mm]

Maximum Cable Diameter [mm]

[Clear](#) [Search →](#)

## Female Metri-Pack 280 Tin Plated Terminal, Cable Insulation Range 3.65 - 3.49 mm

Part #12077413



Question about this product?

Attributes

[Documents \(7\)](#)

<b>Part #:</b>	12077413
<b>Description:</b>	Female Metri-Pack 280 Tin Plated Terminal, Cable Insulation Range 3.65 - 3.49 mm
<b>Product Type:</b>	Terminal
<b>Status:</b>	Active
<b>Blade size [mm]:</b>	2.8
<b>Terminal family:</b>	Metri-Pack
<b>Series:</b>	280
<b>Gender:</b>	Female
<b>Sealed:</b>	Sealed
<b>Material:</b>	Tin Brass
<b>Plating:</b>	Tin
<b>Minimum Cable Core Cross Section [mm<sup>2</sup>]:</b>	3.00
<b>Maximum Cable Core Cross Section [mm<sup>2</sup>]:</b>	3.00
<b>Minimum Cable Diameter [mm]:</b>	3.49
<b>Maximum Cable Diameter [mm]:</b>	3.65
<b>Current range [A]:</b>	30

Print

**Feature Stories**

Heavy Duty & Off-Highway Vehicles Emissions Standards Guides