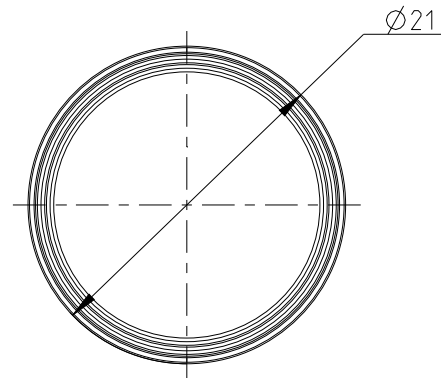
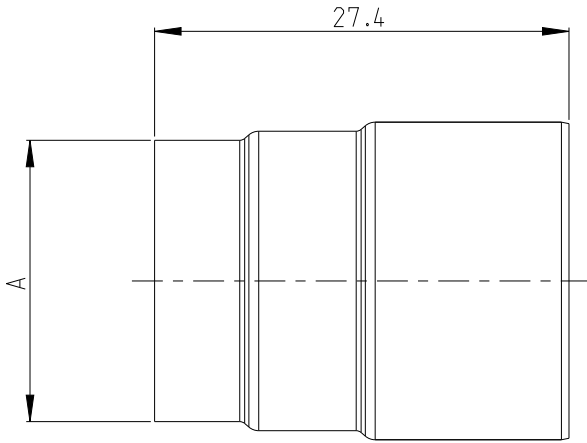


REVISIONS

P	LTR	DESCRIPTION	DATE	DWN	APVD
	A	INITIAL DRAWING	26AUG2021	P.L	I.Y



- 1 MATERIAL: COPPER ALLOY.
- 2 PLATING: SILVER PLATED
- 3. BULK PACKAGED

12.4	13	Ø14.3	FOR 35SQM	2383853-6
14.6	15.2	Ø16.5	FOR 50SQM	2383853-4
16.7	17.3	Ø18.6	FOR 70SQM	2383853-2
MIN.	MAX.	DIM.A	CABLE SIZE	PART NO.
CABLE OD				

© 2021 TE Connectivity. All Rights Reserved.

DIMENSIONS: mm TOLERANCES UNLESS OTHERWISE SPECIFIED: ±0.3 0 PLC ± 1 PLC ±0.1 2 PLC ±0.01 3 PLC ±0.001 4 PLC ±0.0001 ANGLES ±	DWN P.LING	26AUG2021	MATERIAL	1	FINISH	2
	CHK J.LI	26AUG2021				
	APVD I.YIN	26AUG2021	NAME SHIELD SLEEVE HVP-HD1000			
	PRODUCT SPEC	108-160341	SIZE	CAGE CODE	DRAWING NO	RESTRICTED TO
	APPLICATION SPEC	114-160182	A 4	00779	C-2383853	-
	WEIGHT		CUSTOMER DRAWING			
			SCALE	SHEET	REV	
			2:1	1 OF 1	A	

Mouser Electronics

Authorized Distributor

Click to View Pricing, Inventory, Delivery & Lifecycle Information:

[TE Connectivity:](#)

[2383853-2](#) [2383853-4](#) [2383853-6](#)