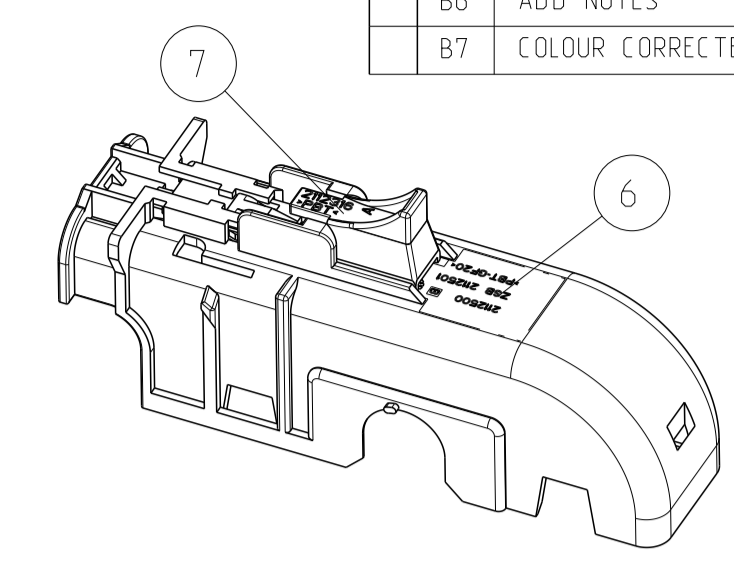


- NOTES
- 1 CONDITION AS SUPPLIED: IN PRE-LOCKED POSITION
  - 2 SEPARATELY PACKAGED
  - 3 ARROW TO THE RIGHT TAKE CARE FOR LEVER POSITION
  - 4 ARROW TO THE LEFT TAKE CARE FOR LEVER POSITION
  - 5 SUITABLE TERMINAL INFORMATION
  - 6 ALLOW WARPAGE ±0.5MM
- BEMERKUNGEN
- 1 LIEFERZUSTAND: IN VORRSTELLUNG
  - 2 GETRENNT VERPACKT
  - 3 PFEILE NACH RECHTS AUSGERICHTET HEBELAUSRICHTUNG BEACHTEN
  - 4 PFEILE NACH LINKS AUSGERICHTET HEBELAUSRICHTUNG BEACHTEN
  - 5 GEEIGNET TERMINAL INFORMATIONEN
  - 6 LASSEN VERZIEHEN ±0.5MM



MM WIRE DIA LEITER-Ø	MM <sup>2</sup> WIRE SIZE QUERSCHNITT	TYP	1.5 CONTACT/WIRE SEAL KONTAKT/LEITERDICHTG	2.8 CONTACT/WIRE SEAL KONTAKT/LEITERDICHTG	6.3/4.8 CONTACT/WIRE SEAL KONTAKT/LEITERDICHTG	MATING PART GEGENSTUECK
1.2-1.4	0.35	FLR	1241378/964971-1 RED	1241392/963294-1 BLUE	1241410 / F11805 YELLOW: FROM VERITAS *	
1.4-1.6	0.5	FLR	1241380/964971-1 RED	1241394/963294-1 BLUE	1241412 / F11805 YELLOW: FROM VERITAS *	
1.7-1.9	0.75	FLR	1241380/963530-1 GREY	1241394/963294-1 BLUE	1241412 / F11805 YELLOW: FROM VERITAS *	
1.9-2.1	1.0	FLR	1241380/964972-1 YELLOW	1241394/963294-1 BLUE	1241412 / F11805 YELLOW: FROM VERITAS *	
2.2-2.4	1.5	FLR		1241396/963293-1 BROWN	1241414/0-1394511-1 WHITE	
2.7-3.0	2.5	FLR		1241396/963292-1 YELLOW	1241414/0-1823111-1 BROWN	
3.4-3.7	4.0	FLR			1241416/0-1394512-1 BLUE	
PLUG BLINDSTOPFEN			/ 963531-1 WHITE	/ F11544 GREEN: FROM VERITAS *	/ 0-0967652-1 TRANSP.	

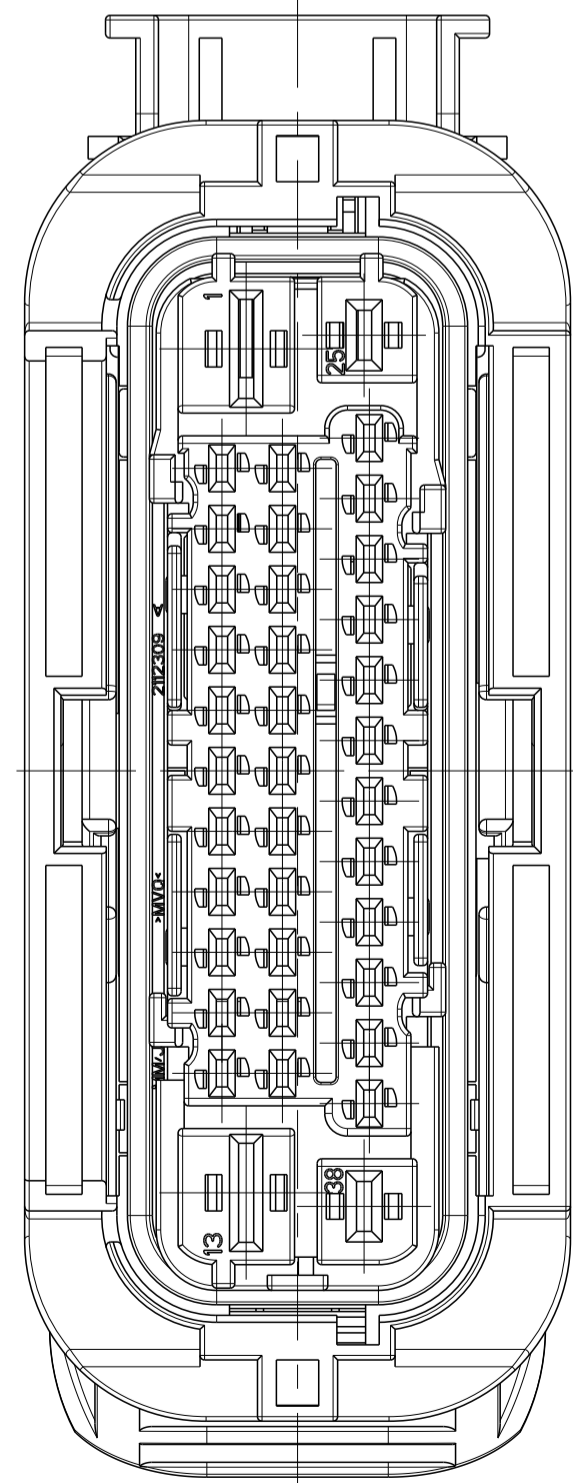
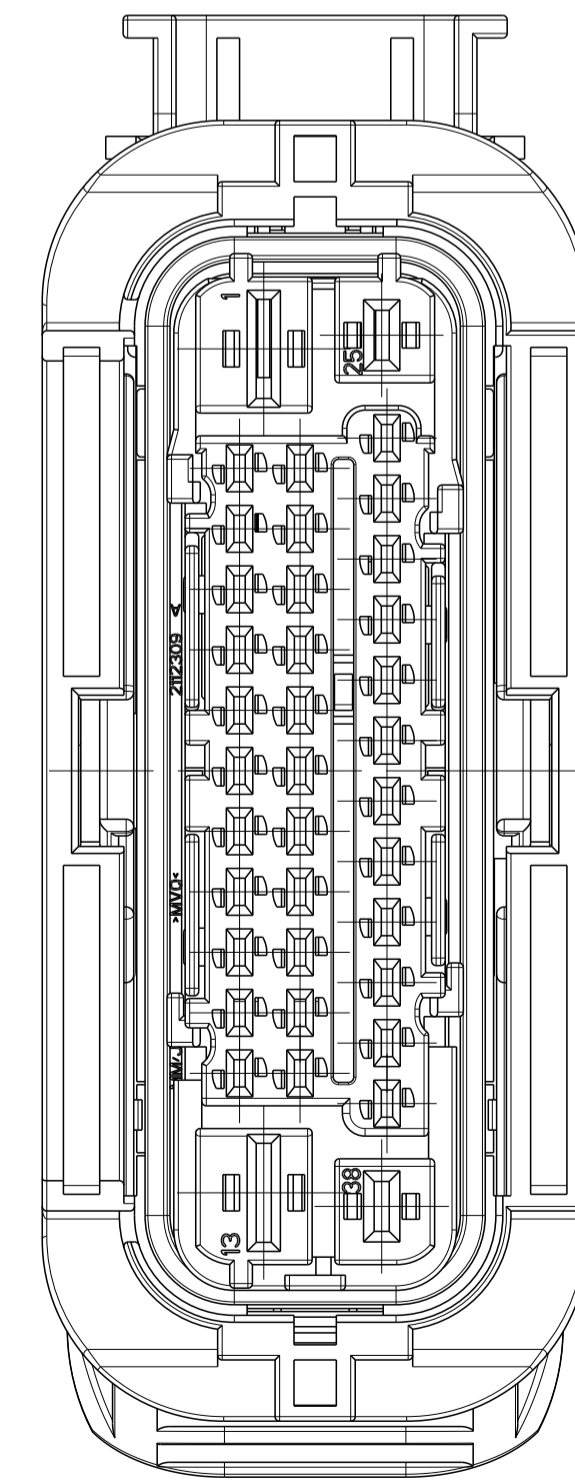
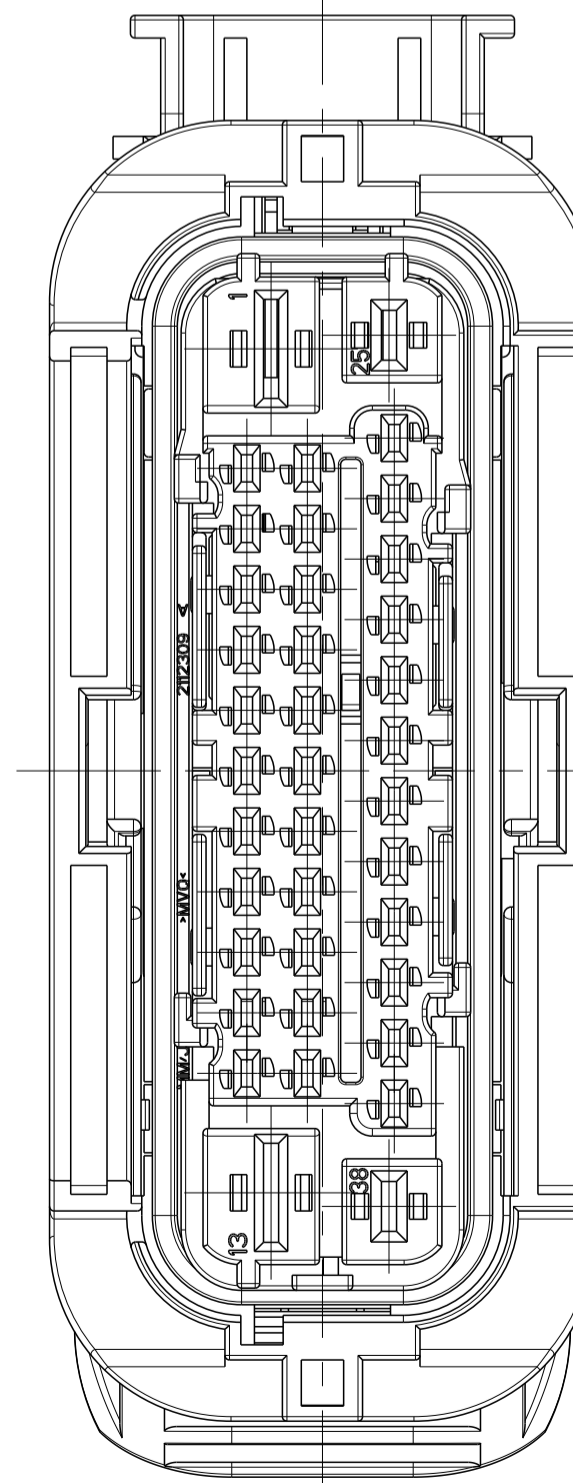
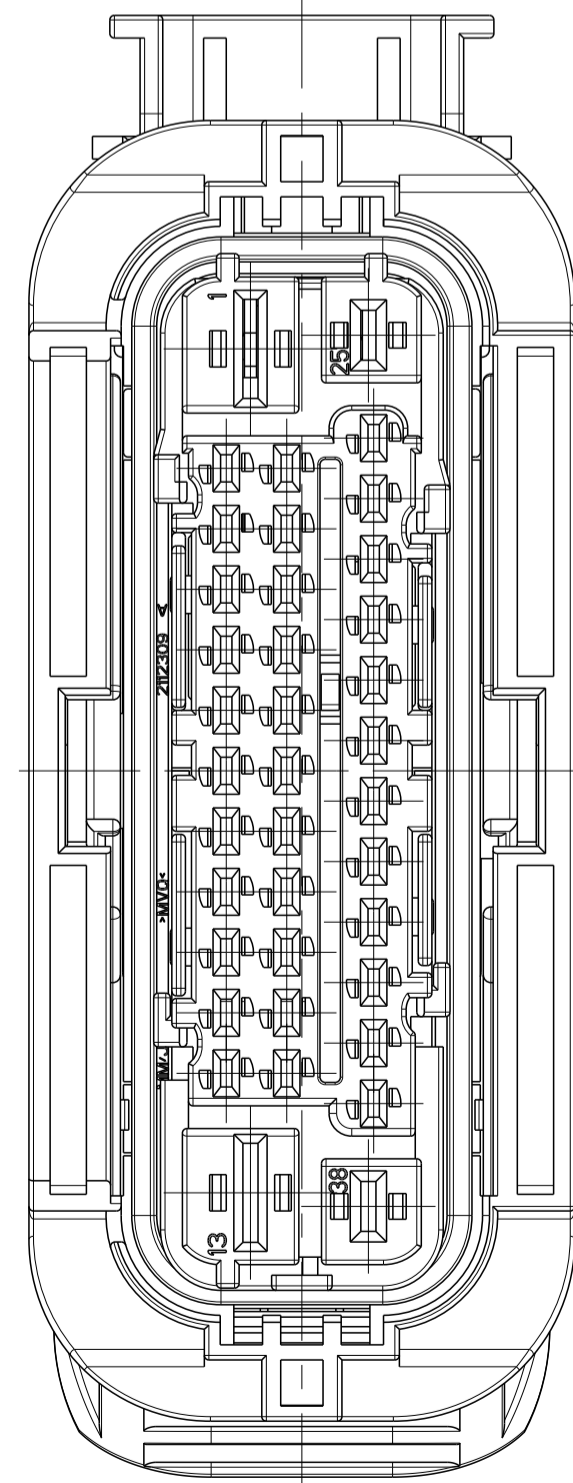
\* FOR INFORMATION ONLY / NUR ZUR INFORMATION

KODIERUNG 0  
CODING 0

KODIERUNG I  
CODING I

KODIERUNG II  
CODING II

KODIERUNG III  
CODING III



LOC	DIST	REV	DATE	APPV	DESCRIPTION
A1	-	B4	02NOV2015	T.D	SHEET 2 ADDED
		B5	25NOV2015	T.D	5-2112502-7 HOLE CHANGED
		B6	18MAY2016	T.D	ADD NOTES
		B7	19APR2018	A.W.	COLOR CORRECTED

REV	DESCRIPTION	DATE	BY	CHKD	APPV
1	0-2112501-1		B		
2	1-2112499-5		A		
3	0-2112501-1		B		
4	1-2112499-4		A		
5	0-2112501-1		B		
6	1-2112499-3		A		
7	0-2112501-1		B		
8	1-2112499-2		A		
9	0-2112501-1		B		
10	1-2112499-1		A		
11	0-2112501-1		B		
12	0-2112499-6		A		
13	0-2112501-1		B		
14	0-2112499-5		A		
15	0-2112501-1		B		
16	0-2112499-4		A		
17	0-2112501-1		B		
18	0-2112499-3		A		
19	0-2112501-1		B		
20	0-2112499-2		A		
21	0-2112501-1		B		
22	0-2112499-1		A		

THIS DRAWING IS A CONTROLLED DOCUMENT.  
 DIESES ZEICHNUNGSDOKUMENT IST EIN KONTROLLIERTES DOKUMENT.  
 DIMENSIONS: TOLEANCES UNLESS OTHERWISE SPECIFIED: ALLE DIMENSIONEN: MASSENHETEN: MILLIMETER

DATE: 06NOV2009  
 CHK: F.Thiel  
 APPV: F.Thiel

PRODUCT SPEC: 38POS. MIXED, REC HSG. ASSY. SEALED  
 VERARBEITUNGSSPEZ: 38POLIG. GEMISCHT. FL.KONT.GEH., KOMPLETT. DICHT

SIZE: A1  
 CASE CODE: 00779  
 DRAWING NO: 2112502  
 RESTRICTED TO: NUR FÜR: -

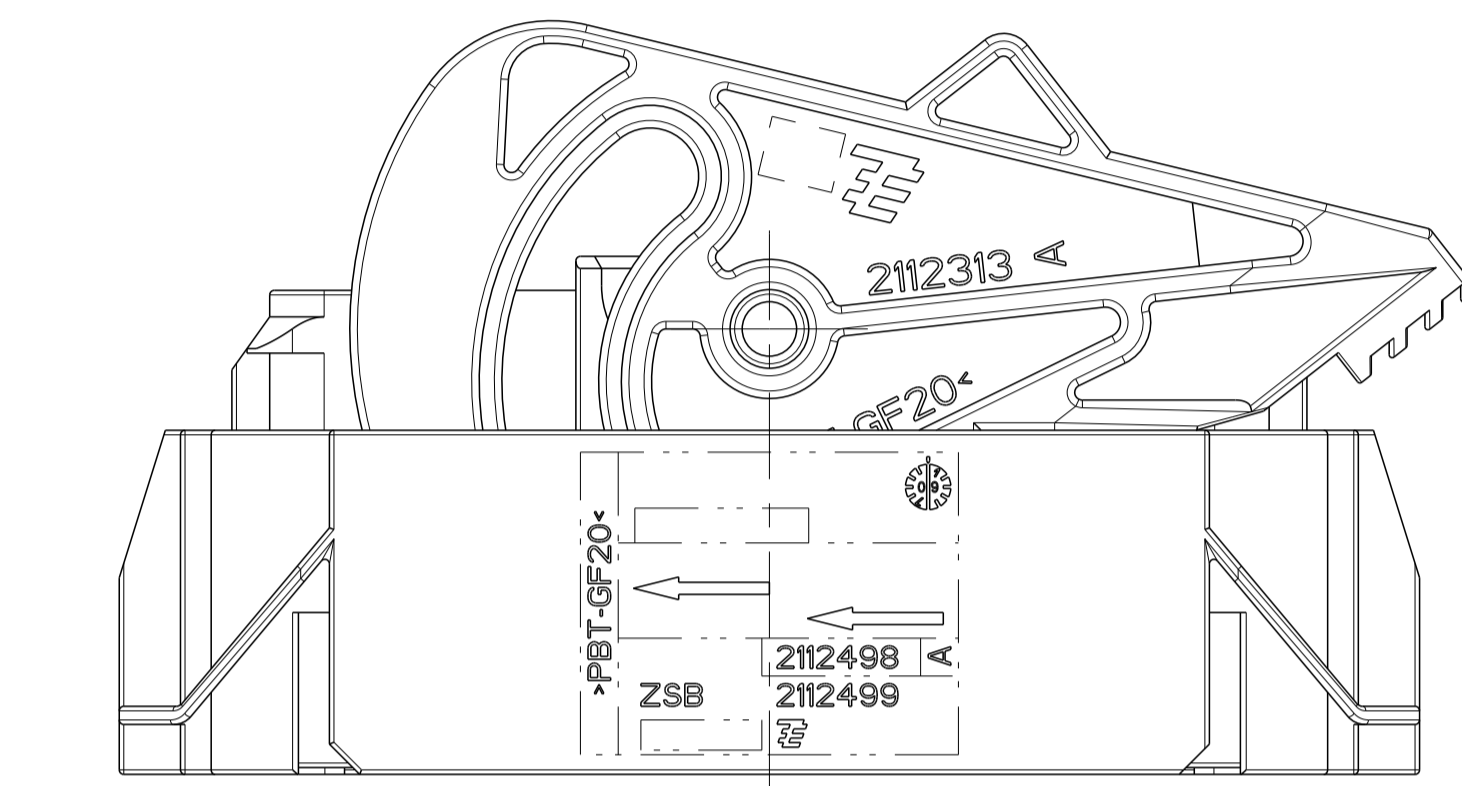
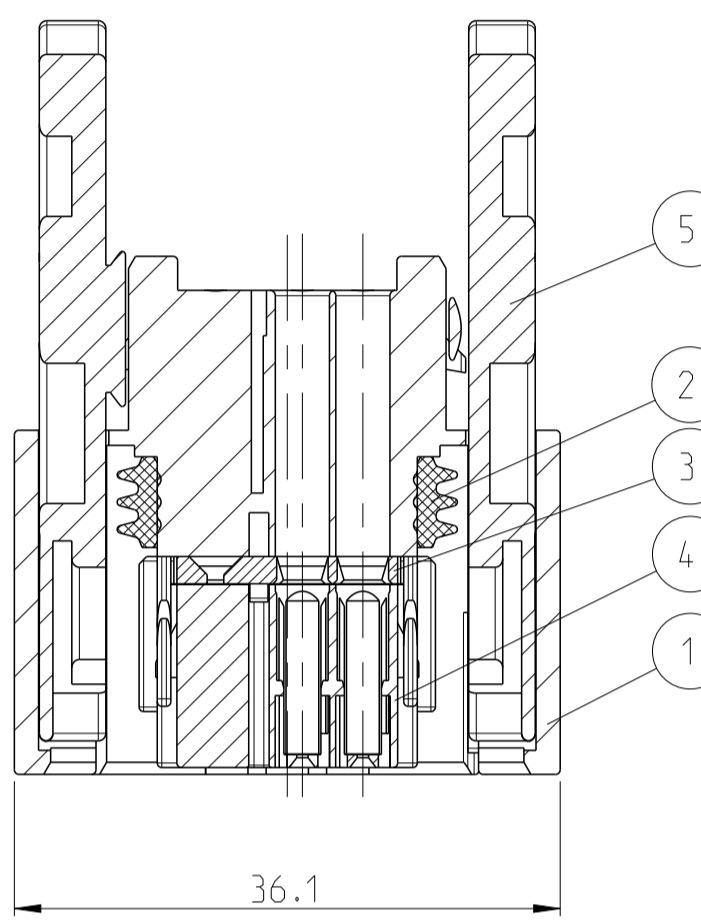
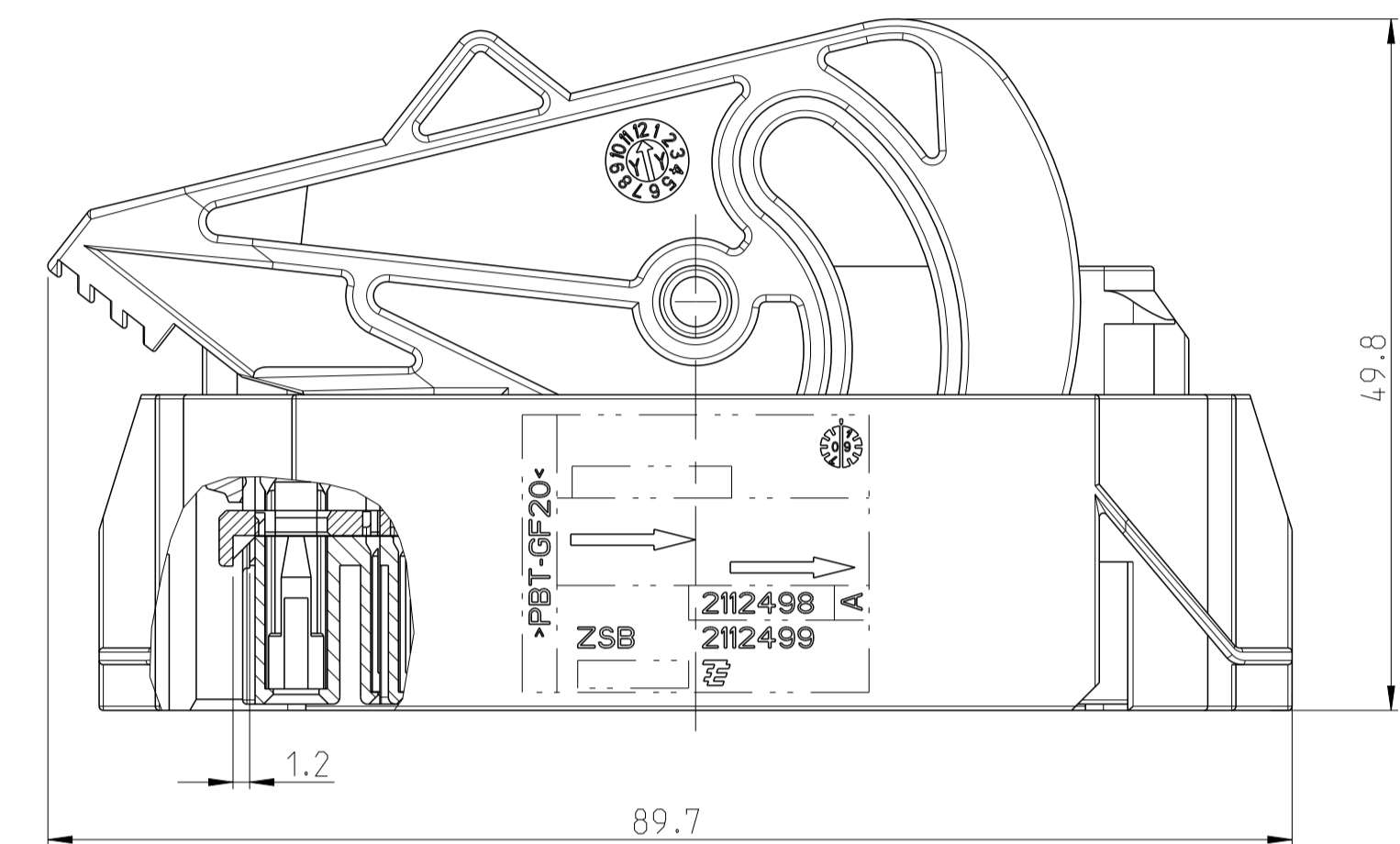
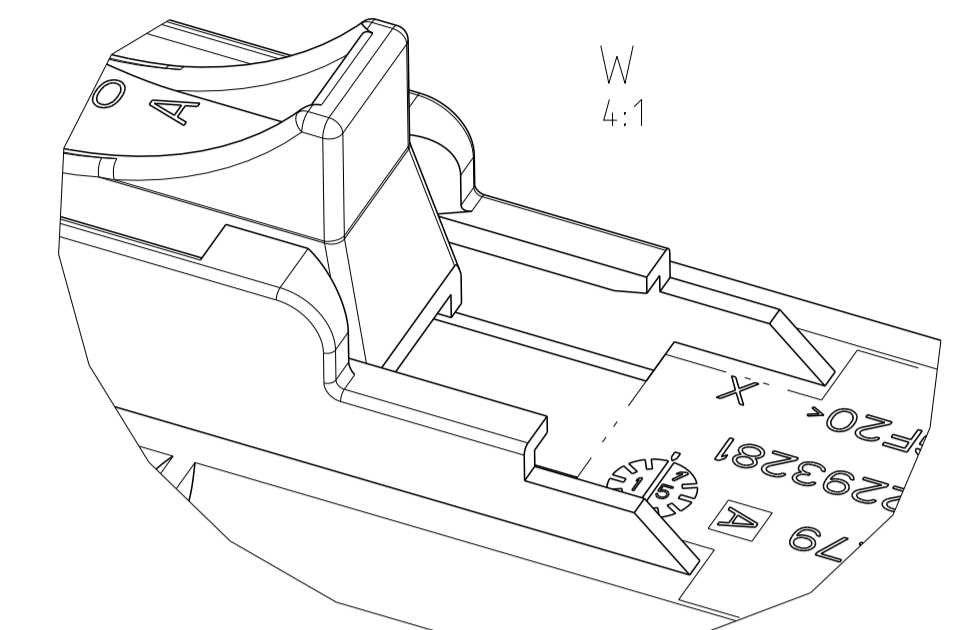
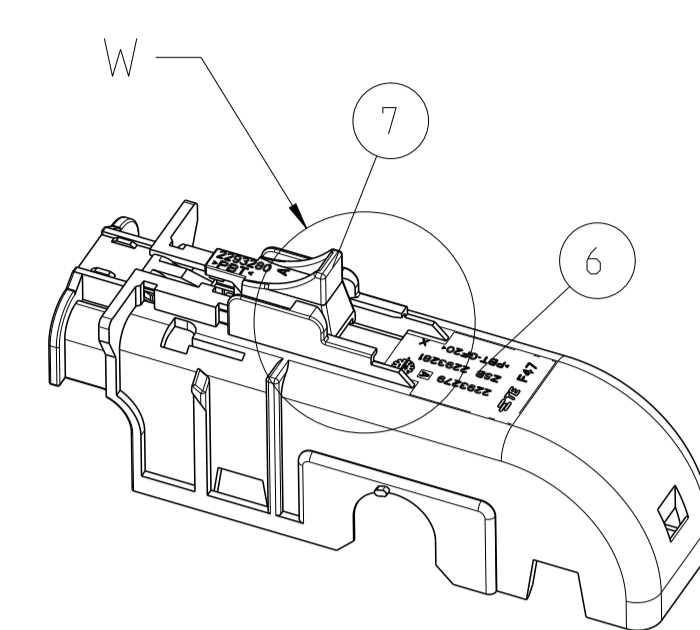
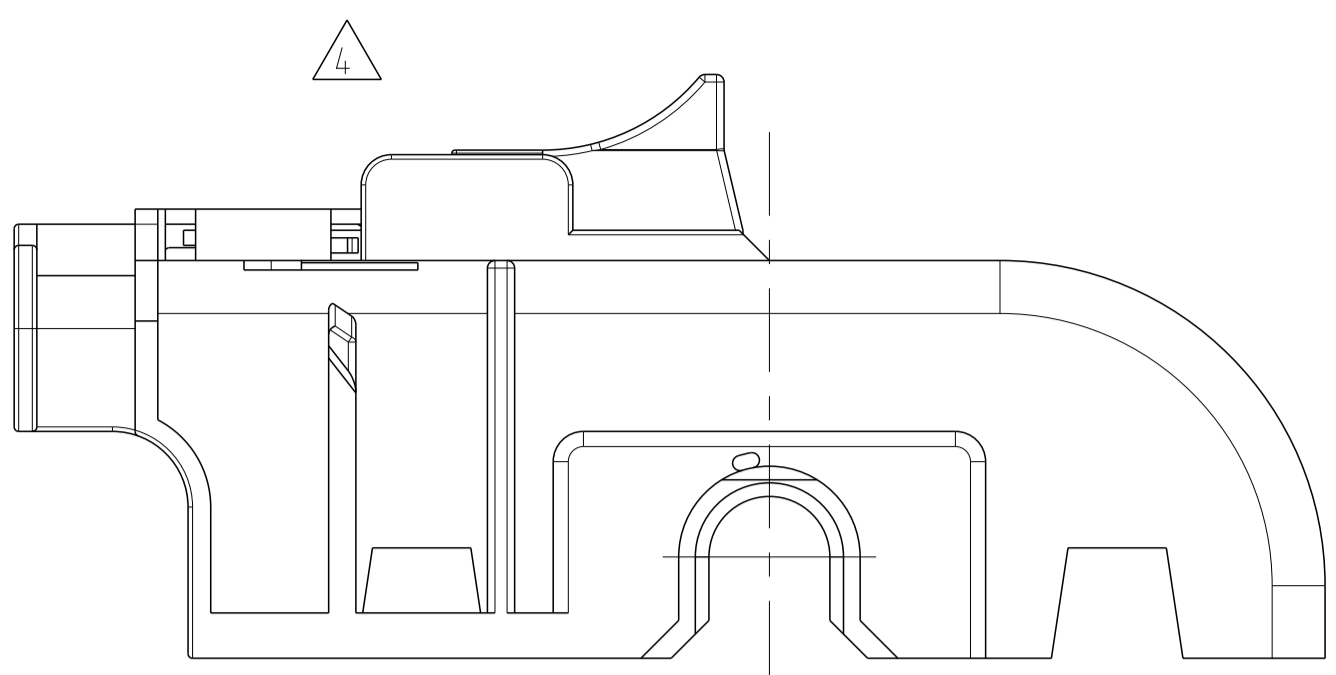
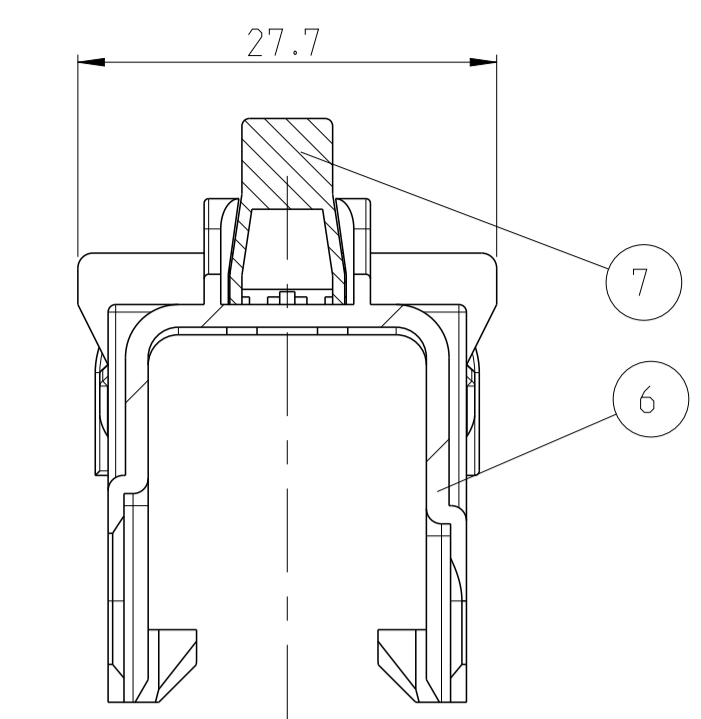
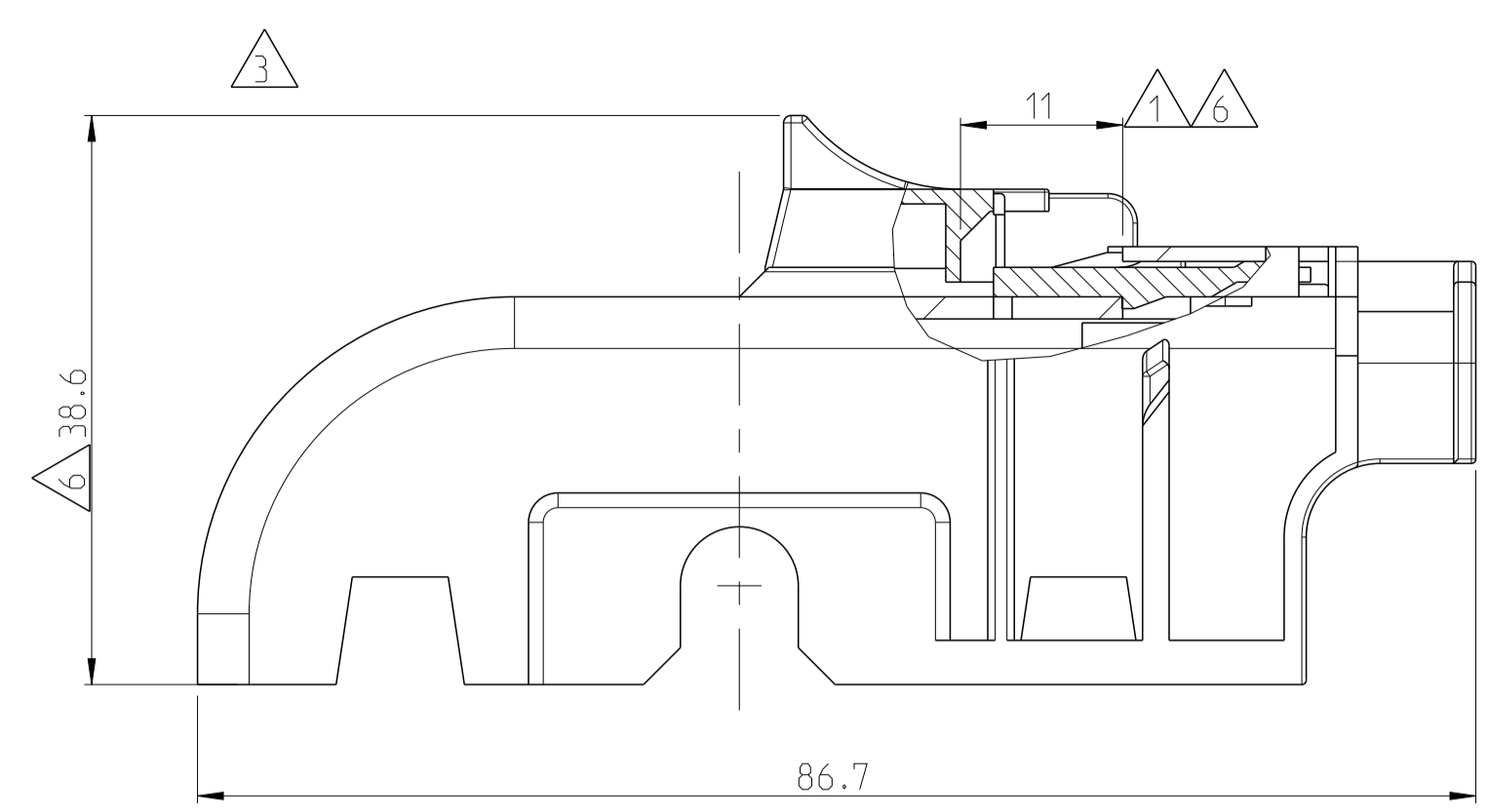
WEIGHT: 69g  
 MATERIAL: S.TAB.  
 FINISH: S.TAB.

Customer Drawing / KUNDENZEICHNUNG SCALE: 2:1 SHEET: 1 OF 2 REV: B7

LOC	DIST	REV	DATE	BY	APPV
A1	-	-	-	-	-

REVISIONS

REV	DATE	BY	APPV
-	-	-	-



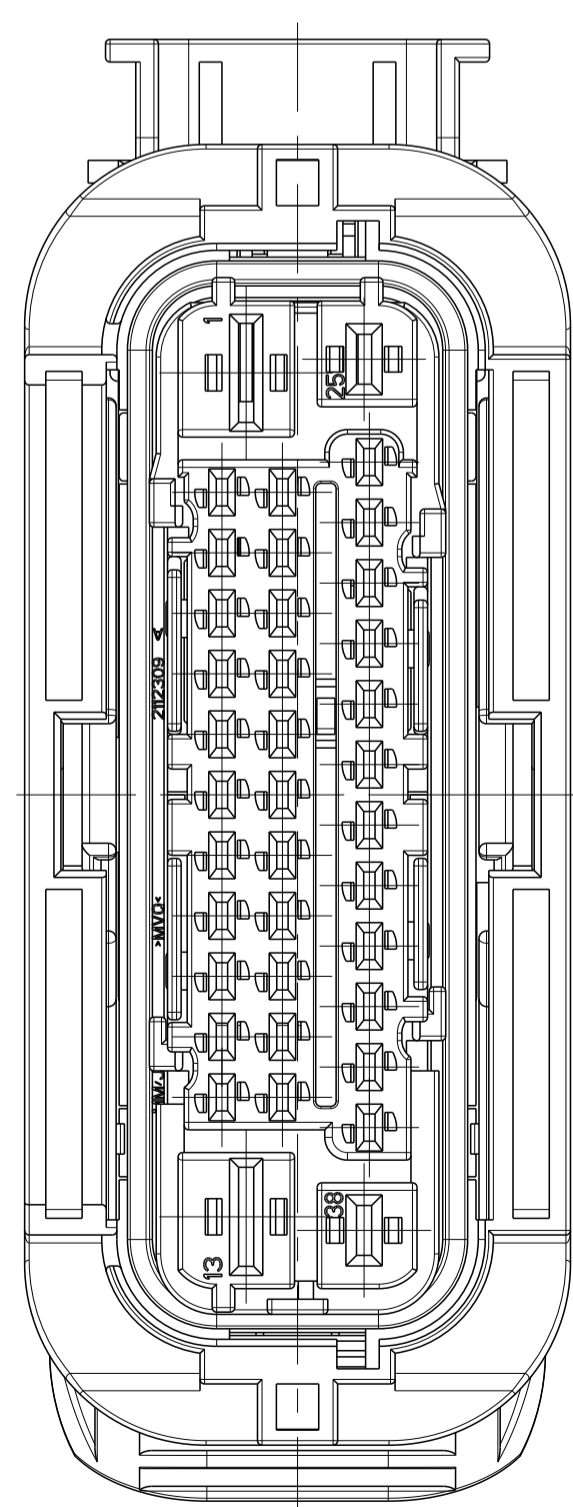
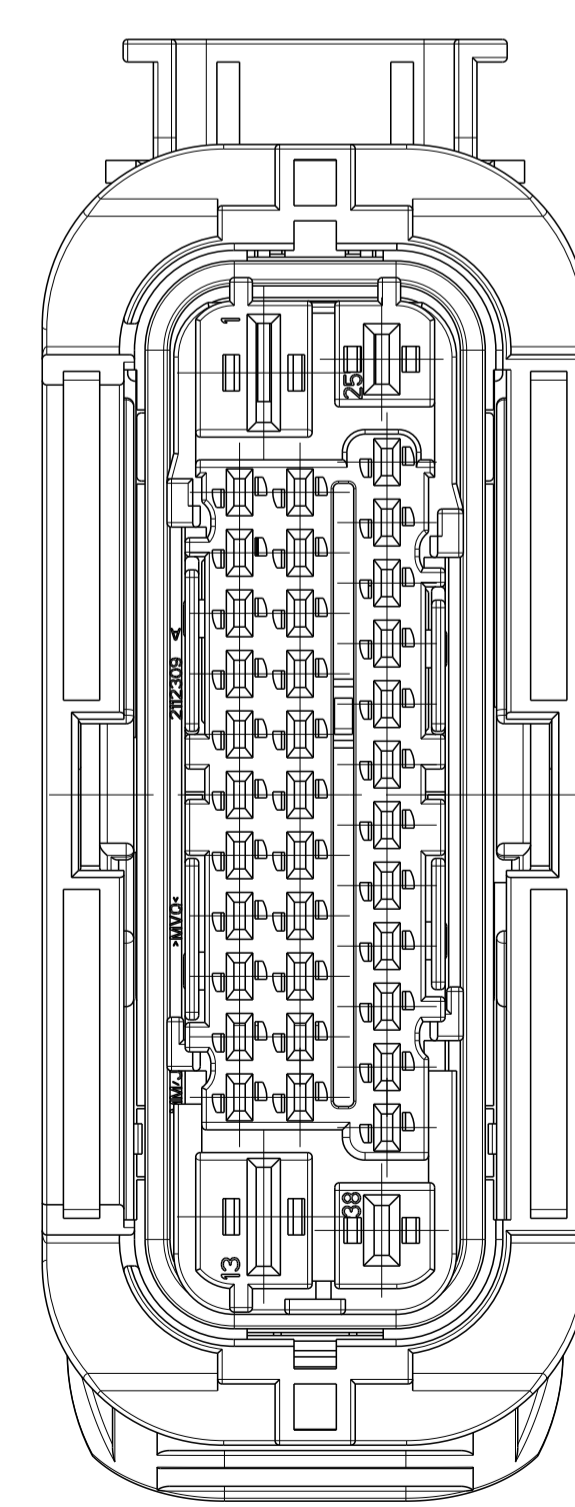
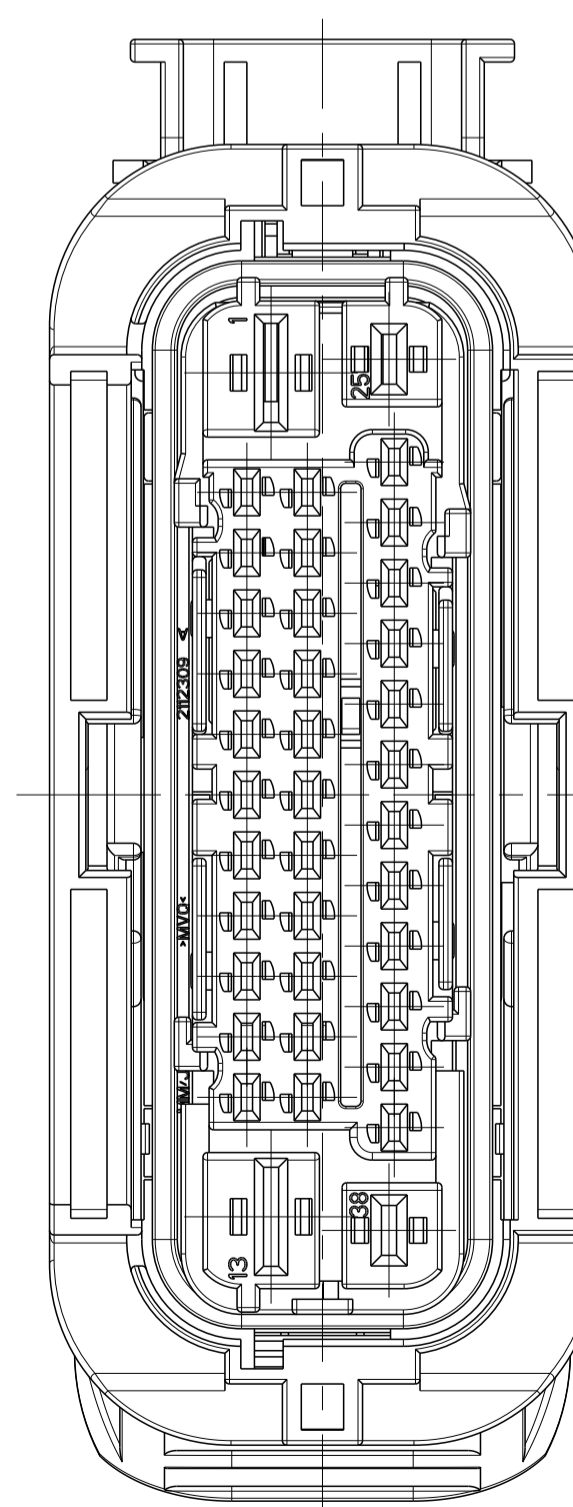
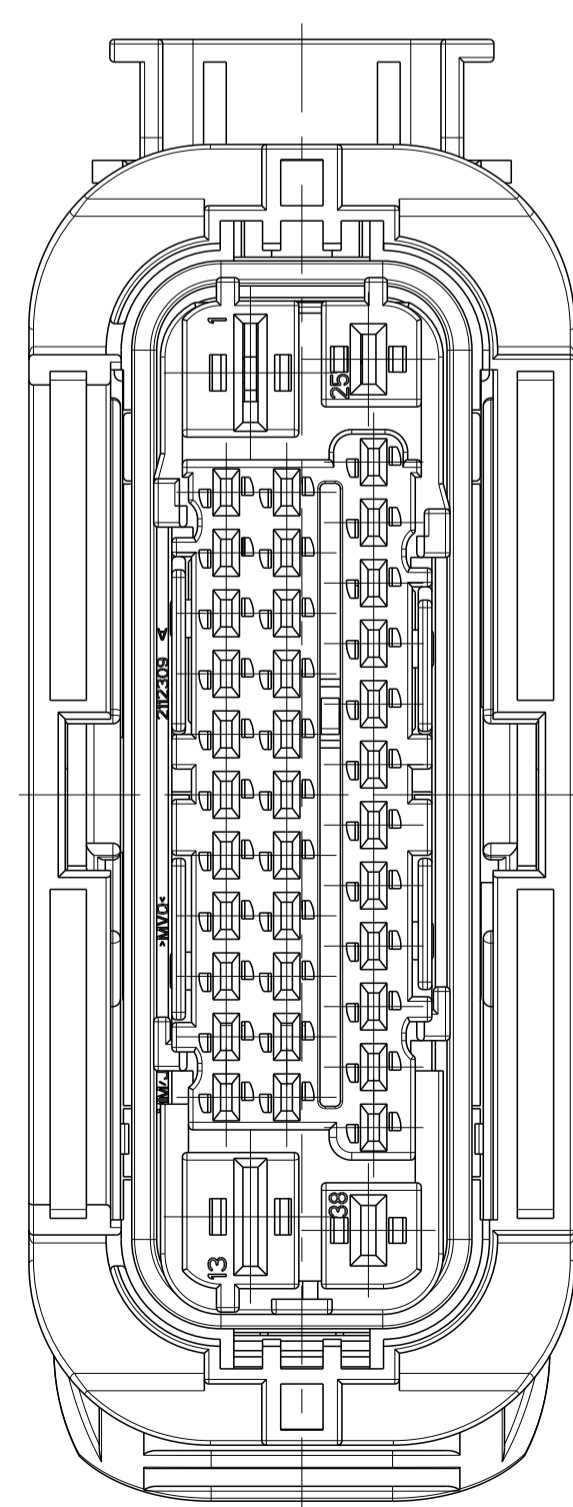
LOC	DIST	REV	DATE	BY	APPV	TE ORDER NO.	REV	MATERIAL	COLOUR	DESCRIPTION	QTY	ITEM NO.
I	14-24		6-2112502-5	B		0-2293281-1		PBT RED/RAL 3000	CPA, 38 POSN	COVER, 90, 38 POSN	1	7
								PBT-GF20 BLACK/RAL 9011	COVER, 90, 38 POSN	LEVER, 38 POSN	1	6
								PBT-GF20 GREY/RAL 7001	LEVER, 38 POSN	38POS. MIXED, REC HSG	1	5
								PBT-GF20 BLACK/RAL 9011	RETAINER, 38 POSN	RETAINER, 38 POSN	1	3
								MVQ GREEN/RAL 6010	RADIAL SEAL, 38 POSN	RADIAL SEAL, 38 POSN	1	2
								PBT-GF20 BLACK/RAL 9011	38POS. MIXED, REC HSG, COVER, SEALED	38POS. MIXED, REC HSG, COVER, SEALED	1	1
								PBT RED/RAL 3000	CPA, 38 POSN	COVER, 90, 38 POSN	1	7
								PBT-GF20 BLACK/RAL 9011	COVER, 90, 38 POSN	LEVER, 38 POSN	1	6
								PBT-GF20 GREY/RAL 7001	LEVER, 38 POSN	38POS. MIXED, REC HSG	1	5
								PBT-GF20 BROWN/RAL 8003	38POS. MIXED, REC HSG	RETAINER, 38 POSN	1	4
								PBT-GF20 VIOLET/RAL 4006	RETAINER, 38 POSN	RETAINER, 38 POSN	1	3
								MVQ GREEN/RAL 6010	RADIAL SEAL, 38 POSN	RADIAL SEAL, 38 POSN	1	2
								PBT-GF20 BLACK/RAL 9011	38POS. MIXED, REC HSG, COVER, SEALED	38POS. MIXED, REC HSG, COVER, SEALED	1	1
								PBT RED/RAL 3000	CPA, 38 POSN	COVER, 90, 38 POSN	1	7
								PBT-GF20 BLACK/RAL 9011	COVER, 90, 38 POSN	LEVER, 38 POSN	1	6
								PBT-GF20 GREY/RAL 7001	LEVER, 38 POSN	38POS. MIXED, REC HSG	1	5
								PBT-GF20 BROWN/RAL 8003	38POS. MIXED, REC HSG	RETAINER, 38 POSN	1	4
								PBT-GF20 VIOLET/RAL 4006	RETAINER, 38 POSN	RETAINER, 38 POSN	1	3
								MVQ GREEN/RAL 6010	RADIAL SEAL, 38 POSN	RADIAL SEAL, 38 POSN	1	2
								PBT-GF20 BLACK/RAL 9011	38POS. MIXED, REC HSG, COVER, SEALED	38POS. MIXED, REC HSG, COVER, SEALED	1	1
								PBT RED/RAL 3000	CPA, 38 POSN	COVER, 90, 38 POSN	1	7
								PBT-GF20 BLACK/RAL 9011	COVER, 90, 38 POSN	LEVER, 38 POSN	1	6
								PBT-GF20 GREY/RAL 7001	LEVER, 38 POSN	38POS. MIXED, REC HSG	1	5
								PBT-GF20 BROWN/RAL 8003	38POS. MIXED, REC HSG	RETAINER, 38 POSN	1	4
								PBT-GF20 VIOLET/RAL 4006	RETAINER, 38 POSN	RETAINER, 38 POSN	1	3
								MVQ GREEN/RAL 6010	RADIAL SEAL, 38 POSN	RADIAL SEAL, 38 POSN	1	2
								PBT-GF20 BLACK/RAL 9011	38POS. MIXED, REC HSG, COVER, SEALED	38POS. MIXED, REC HSG, COVER, SEALED	1	1
								PBT RED/RAL 3000	CPA, 38 POSN	COVER, 90, 38 POSN	1	7
								PBT-GF20 BLACK/RAL 9011	COVER, 90, 38 POSN	LEVER, 38 POSN	1	6
								PBT-GF20 GREY/RAL 7001	LEVER, 38 POSN	38POS. MIXED, REC HSG	1	5
								PBT-GF20 BROWN/RAL 8003	38POS. MIXED, REC HSG	RETAINER, 38 POSN	1	4
								PBT-GF20 VIOLET/RAL 4006	RETAINER, 38 POSN	RETAINER, 38 POSN	1	3
								MVQ GREEN/RAL 6010	RADIAL SEAL, 38 POSN	RADIAL SEAL, 38 POSN	1	2
								PBT-GF20 BLACK/RAL 9011	38POS. MIXED, REC HSG, COVER, SEALED	38POS. MIXED, REC HSG, COVER, SEALED	1	1
								PBT RED/RAL 3000	CPA, 38 POSN	COVER, 90, 38 POSN	1	7
								PBT-GF20 BLACK/RAL 9011	COVER, 90, 38 POSN	LEVER, 38 POSN	1	6
								PBT-GF20 GREY/RAL 7001	LEVER, 38 POSN	38POS. MIXED, REC HSG	1	5
								PBT-GF20 BROWN/RAL 8003	38POS. MIXED, REC HSG	RETAINER, 38 POSN	1	4
								PBT-GF20 VIOLET/RAL 4006	RETAINER, 38 POSN	RETAINER, 38 POSN	1	3
								MVQ GREEN/RAL 6010	RADIAL SEAL, 38 POSN	RADIAL SEAL, 38 POSN	1	2
								PBT-GF20 BLACK/RAL 9011	38POS. MIXED, REC HSG, COVER, SEALED	38POS. MIXED, REC HSG, COVER, SEALED	1	1
								PBT RED/RAL 3000	CPA, 38 POSN	COVER, 90, 38 POSN	1	7
								PBT-GF20 BLACK/RAL 9011	COVER, 90, 38 POSN	LEVER, 38 POSN	1	6
								PBT-GF20 GREY/RAL 7001	LEVER, 38 POSN	38POS. MIXED, REC HSG	1	5
								PBT-GF20 BROWN/RAL 8003	38POS. MIXED, REC HSG	RETAINER, 38 POSN	1	4
								PBT-GF20 VIOLET/RAL 4006	RETAINER, 38 POSN	RETAINER, 38 POSN	1	3
								MVQ GREEN/RAL 6010	RADIAL SEAL, 38 POSN	RADIAL SEAL, 38 POSN	1	2
								PBT-GF20 BLACK/RAL 9011	38POS. MIXED, REC HSG, COVER, SEALED	38POS. MIXED, REC HSG, COVER, SEALED	1	1
								PBT RED/RAL 3000	CPA, 38 POSN	COVER, 90, 38 POSN	1	7
								PBT-GF20 BLACK/RAL 9011	COVER, 90, 38 POSN	LEVER, 38 POSN	1	6
								PBT-GF20 GREY/RAL 7001	LEVER, 38 POSN	38POS. MIXED, REC HSG	1	5
								PBT-GF20 BROWN/RAL 8003	38POS. MIXED, REC HSG	RETAINER, 38 POSN	1	4
								PBT-GF20 VIOLET/RAL 4006	RETAINER, 38 POSN	RETAINER, 38 POSN	1	3
								MVQ GREEN/RAL 6010	RADIAL SEAL, 38 POSN	RADIAL SEAL, 38 POSN	1	2
								PBT-GF20 BLACK/RAL 9011	38POS. MIXED, REC HSG, COVER, SEALED	38POS. MIXED, REC HSG, COVER, SEALED	1	1
								PBT RED/RAL 3000	CPA, 38 POSN	COVER, 90, 38 POSN	1	7
								PBT-GF20 BLACK/RAL 9011	COVER, 90, 38 POSN	LEVER, 38 POSN	1	6
								PBT-GF20 GREY/RAL 7001	LEVER, 38 POSN	38POS. MIXED, REC HSG	1	5
								PBT-GF20 BROWN/RAL 8003	38POS. MIXED, REC HSG	RETAINER, 38 POSN	1	4
								PBT-GF20 VIOLET/RAL 4006	RETAINER, 38 POSN	RETAINER, 38 POSN	1	3
								MVQ GREEN/RAL 6010	RADIAL SEAL, 38 POSN	RADIAL SEAL, 38 POSN	1	2
								PBT-GF20 BLACK/RAL 9011	38POS. MIXED, REC HSG, COVER, SEALED	38POS. MIXED, REC HSG, COVER, SEALED	1	1
								PBT RED/RAL 3000	CPA, 38 POSN	COVER, 90, 38 POSN	1	7
								PBT-GF20 BLACK/RAL 9011	COVER, 90, 38 POSN	LEVER, 38 POSN	1	6
								PBT-GF20 GREY/RAL 7001	LEVER, 38 POSN	38POS. MIXED, REC HSG	1	5
								PBT-GF20 BROWN/RAL 8003	38POS. MIXED, REC HSG	RETAINER, 38 POSN	1	4
								PBT-GF20 VIOLET/RAL 4006	RETAINER, 38 POSN	RETAINER, 38 POSN	1	3
								MVQ GREEN/RAL 6010	RADIAL SEAL, 38 POSN	RADIAL SEAL, 38 POSN	1	2
								PBT-GF20 BLACK/RAL 9011	38POS. MIXED, REC HSG, COVER, SEALED	38POS. MIXED, REC HSG, COVER, SEALED	1	1

KODIERUNG 0  
CODING 0

KODIERUNG I  
CODING I

KODIERUNG II  
CODING II

KODIERUNG III  
CODING III



THIS DRAWING IS A CONTROLLED DOCUMENT. DWG: K.Gossen, 06NOV2009. CHK: F.Thiel, 06NOV2009. APVD: -

DIMENSIONS: mm. TOLERANCES UNLESS OTHERWISE SPECIFIED: 1. PLG ±0.10, 2. PLG ±0.10, 3. PLG ±0.10, 4. PLG ±0.10, 5. PLG ±0.10, 6. PLG ±0.10, 7. PLG ±0.10, 8. PLG ±0.10, 9. PLG ±0.10, 10. PLG ±0.10.

MATERIAL: S.TAB. FINISH: S.TAB.

PRODUCT SPEC: - APPLICATION SPEC: - WEIGHT: 69g. SIZE: A1. CAGE CODE: 00779. DRAWING NO: 2112502. RESTRICTED TO: -

Customer Drawing. SCALE: 2:1. SHEET: 2 OF 2. REV: B7.

**TE** TE Connectivity. NAME: 38POS. MIXED, REC HSG, ASSY, SEALED. 38POLIG. GEMISCHT, FL.KONT.GEH., KOMPLETT, DICHT.