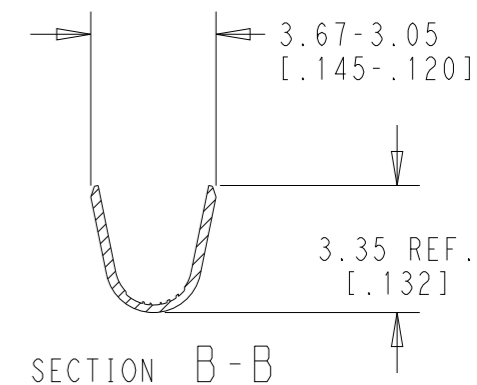
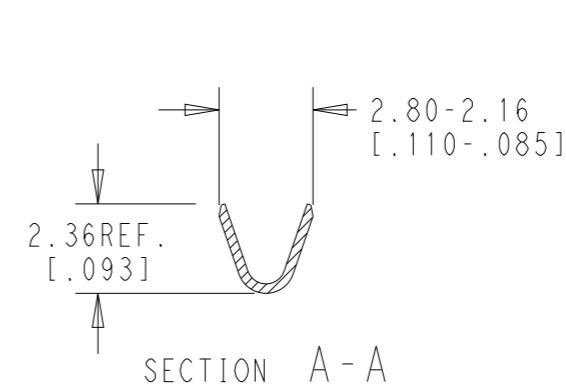
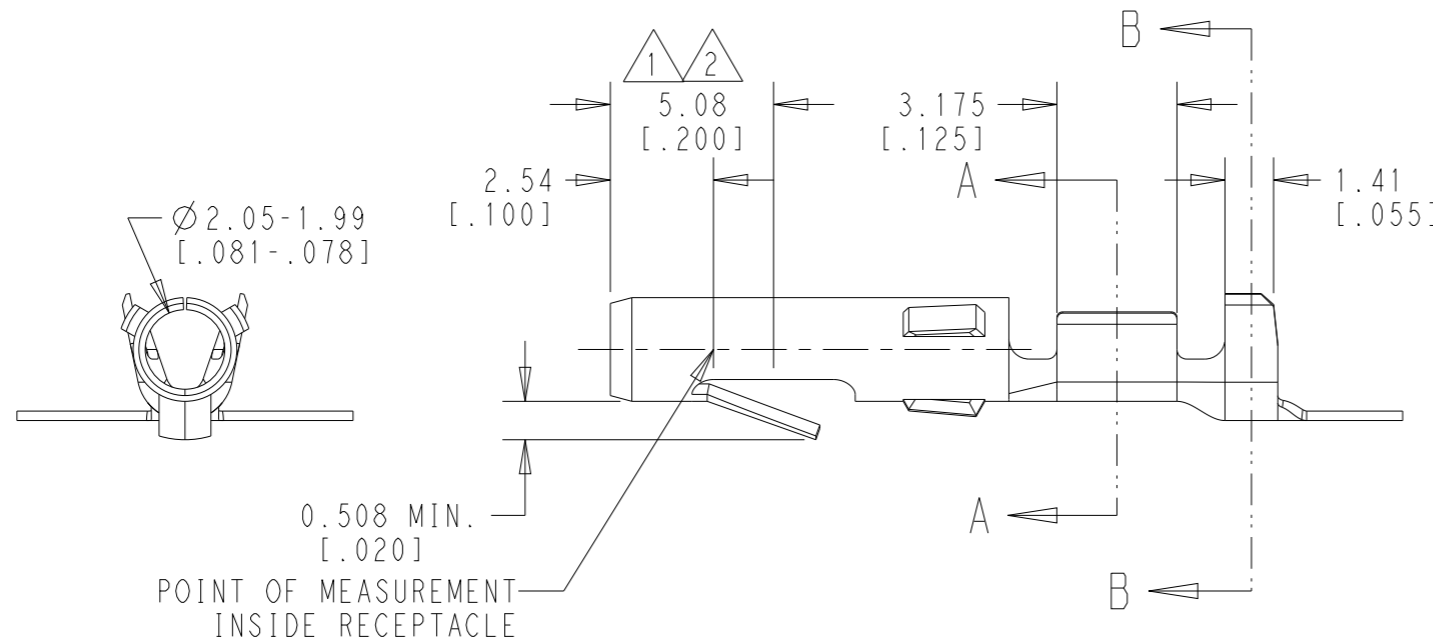
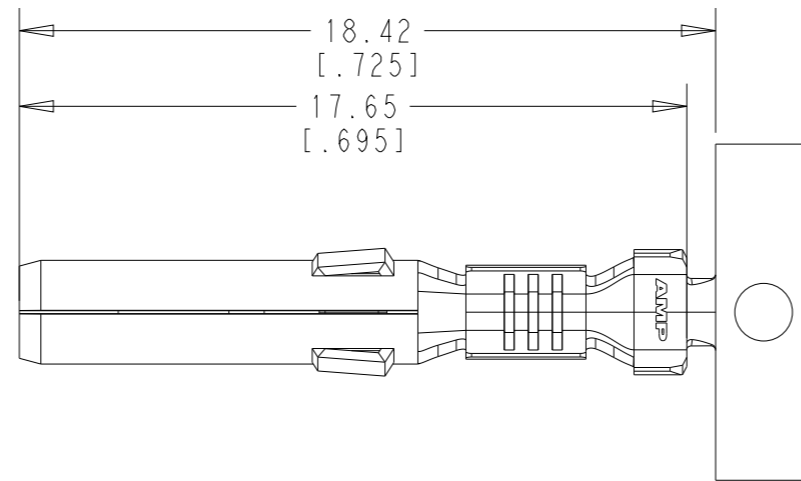
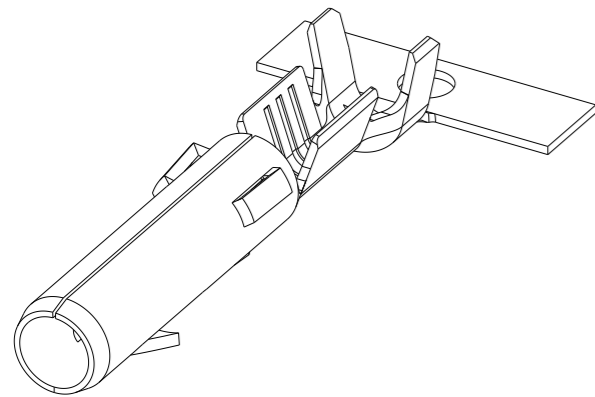


REVISIONS

| P | LTR | DESCRIPTION | DATE | DWN | APVD |
|---|-----|---------------------------|-----------|-----|------|
| | AB3 | REVISED PER ECR-21-101087 | 07MAY2021 | PJ | VS |
| | AB4 | REVISED PER ECN-23-233438 | 02OCT2023 | WLS | VS |
| | | | | | |
| | | | | | |



NOTES:

- 1 NICKEL ON ENTIRE TERMINAL WITH .00076[.000030] GOLD OVER INSIDE OF MATING AREA AND WIRE BARREL.
- 2 NICKEL ON ENTIRE TERMINAL WITH .00076[.000030] GOLD OVER INSIDE OF MATING AREA.
- 3. WIRE RANGE: 24 - 18 AWG.
- 4. INSULATION DIA .100 MAX.
- 5. DIMENSIONS IN BRACKETS ARE IN INCHES.

| APPLICATOR TYPE | FINISH | MATERIAL | PART NO |
|-----------------|---------|------------------|---------|
| MINI | 2 GOLD | 0.30[.012] BRASS | 61314-7 |
| MINI | GOLD 2 | 0.30[.012] PH BZ | 61314-6 |
| MINI | 1 GOLD | 0.30[.012] BRASS | 61314-5 |
| MINI | PRE TIN | 0.30[.012] PH BZ | 61314-4 |
| MINI | - | 0.30[.012] BRASS | 61314-2 |
| MINI | PRE TIN | 0.30[.012] BRASS | 61314-1 |

THIS DRAWING IS A CONTROLLED DOCUMENT.

DWN 28JUN2012 KIRAN HOLAL
 CHK 28JUN2012 RUTH, JEFFERY
 APVD 28JUN2012 RUTH, JEFFERY

TE Connectivity

NAME: SOCKET COMMERCIAL MATE-N-LOK

PRODUCT SPEC: 108-1000
 APPLICATION SPEC: 114-1012

WEIGHT: -

SIZE: A3 CAGE CODE: 00779 DRAWING NO: 61314 RESTRICTED TO: -

CUSTOMER DRAWING SCALE: 5:1 SHEET: 1 OF 1 REV: AB4

| | |
|-------------|--|
| DIMENSIONS: | TOLERANCES UNLESS OTHERWISE SPECIFIED: |
| mm [INCHES] | |
| 0 PLC | ±- |
| 1 PLC | ±- |
| 2 PLC | ±0.25[.010] |
| 3 PLC | ±- |
| 4 PLC | ±- |
| ANGLES | ±1°0' |
| MATERIAL | FINISH |
| SEE TABLE | SEE TABLE |

Mouser Electronics

Authorized Distributor

Click to View Pricing, Inventory, Delivery & Lifecycle Information:

[TE Connectivity:](#)

[61314-1 \(Mouser Reel\)](#) [61314-1 \(Cut Strip\)](#)