

300mW, PNP Small Signal Transistor

FEATURES

- AEC-Q101 qualified
- High current
- Low power loss, high efficiency
- Ideal for automated placement
- Moisture sensitivity level: level 1, per J-STD-020
- RoHS Compliant
- Halogen-free

APPLICATIONS

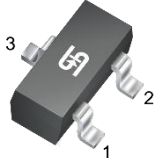
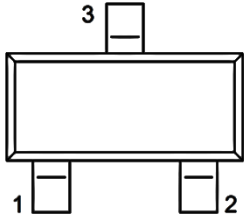
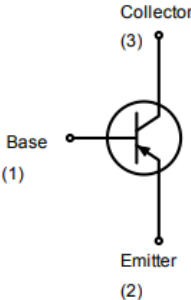
- General switching and amplification

MECHANICAL DATA

- Case: SOT-23
- Molding compound meets UL 94V-0 flammability rating
- Terminal: Matte tin plated leads, solderable per J-STD-002
- Meet JESD 201 class 2 whisker test
- Weight: 8.00mg (approximately)



KEY PARAMETERS		
PARAMETER	VALUE	UNIT
V_{CBO}	-50	V
V_{CEO}	-45	V
V_{EBO}	-5	V
I_C	-500	mA
h_{FE}	400-600	
Configuration	Single die	

PACKAGE: SOT-23	PIN CONFIGURATION	CIRCUIT DIAGRAM
		

ABSOLUTE MAXIMUM RATINGS ($T_A = 25^\circ\text{C}$ unless otherwise noted)			
PARAMETER	SYMBOL	VALUE	UNIT
Power dissipation ⁽¹⁾	P_D	300	mW
Collector-base voltage	V_{CBO}	-50	V
Collector-emitter voltage	V_{CEO}	-45	V
Emitter-base voltage	V_{EBO}	-5	V
Collector current	I_C	-500	mA
Junction temperature	T_J	-55 to +150	$^\circ\text{C}$
Storage temperature	T_{STG}	-55 to +150	$^\circ\text{C}$

Note:

1. Device mounted on an FR4 Printed-Circuit Board (PCB), single-sided copper, tin-plated and standard footprint

THERMAL PERFORMANCE			
PARAMETER	SYMBOL	TYP	UNIT
Junction-to-ambient thermal resistance ⁽¹⁾	$R_{\theta JA}$	417	°C/W

Thermal Performance Note:

1. Device mounted on an FR4 Printed-Circuit Board (PCB), single-sided copper, tin-plated and standard footprint

ELECTRICAL SPECIFICATIONS ($T_A = 25^\circ\text{C}$ unless otherwise noted)							
PARAMETER	CONDITIONS		SYMBOL	MIN	TYP	MAX	UNIT
Collector-base breakdown voltage	$I_C = -10\mu\text{A}, I_E = 0\text{A}$		$V_{(BR)CBO}$	-50	-	-	V
Collector-emitter breakdown voltage	$I_C = -10\text{mA}, I_B = 0\text{A}$		$V_{(BR)CEO}$	-45	-	-	V
Emitter-base breakdown voltage	$I_E = -1\mu\text{A}, I_C = 0\text{A}$		$V_{(BR)EBO}$	-5	-	-	V
Collector-base cut-off current	$V_{CB} = -45\text{V}, I_E = 0\text{A}$		I_{CBO}	-	-	-0.1	μA
Emitter-base cut-off current	$V_{EB} = -4\text{V}, I_C = 0\text{A}$		I_{EBO}	-	-	-0.1	μA
DC current gain	$V_{CE} = -1\text{V}, I_C = -100\text{mA}$	BC807-25H	h_{FE}	160	-	400	-
		BC807-40H		250	-	600	
	$V_{CE} = -1\text{V}, I_C = -500\text{mA}$			40	-	-	
Collector-emitter saturation voltage	$I_C = -500\text{mA}, I_B = -50\text{mA}$		$V_{CE(sat)}$	-	-	-0.7	V
Base-emitter saturation voltage	$I_C = -500\text{mA}, I_B = -50\text{mA}$		$V_{BE(sat)}$	-	-	-1.2	V
Base-emitter voltage	$V_{CE} = -1\text{V}, I_C = -500\text{mA}$		V_{BE}	-	-	-1.2	V
Transition frequency	$V_{CE} = -5\text{V}, I_C = -10\text{mA}, f = 100\text{MHz}$		f_T	100	-	-	MHz
Output capacitance	$V_{CB} = -10\text{V}, I_E = 0\text{A}, f = 1\text{MHz}$		C_{obo}	-	7	-	pF

ORDERING AND MARKING INFORMATION			
ORDERING CODE	PACKAGE	PACKING	DEVICE MARKING
BC807-25H RFG	SOT-23	3,000 / 7" Tape & Reel	<u>5</u> B
BC807-40H RFG	SOT-23	3,000 / 7" Tape & Reel	<u>5</u> C

CHARACTERISTICS CURVES

($T_A = 25^\circ\text{C}$ unless otherwise noted)

Fig.1 Power Dissipation Curve

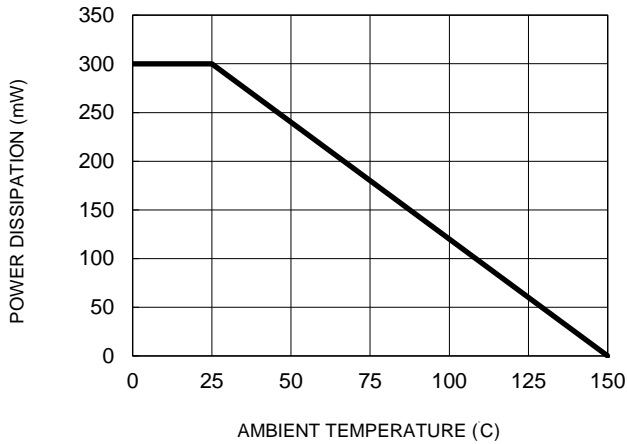


Fig.2 Typical Capacitance Characteristics

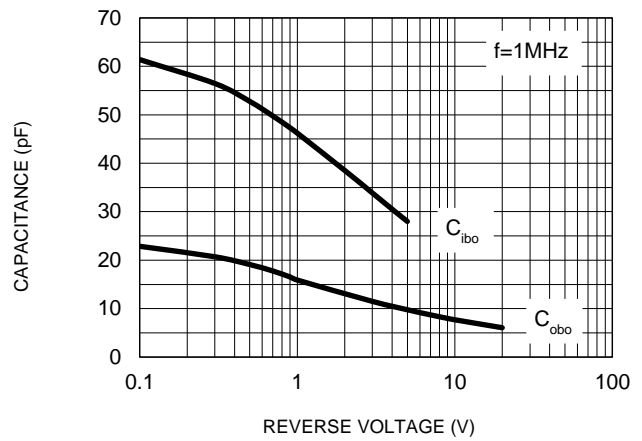


Fig.3 DC Current Gain vs. Collector Current

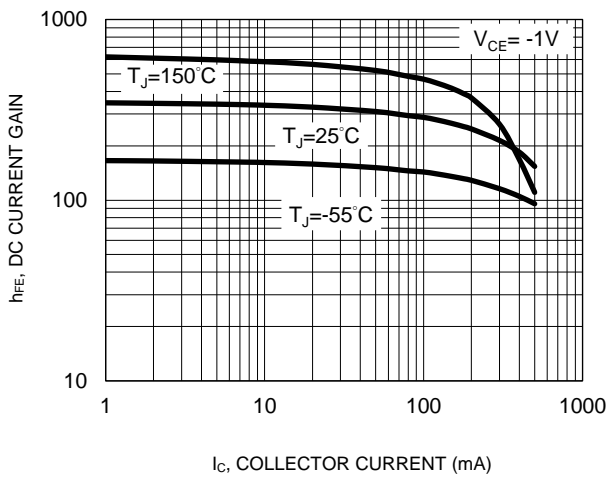


Fig.4 Collector-Emitter Saturation Voltage vs. Collector Current

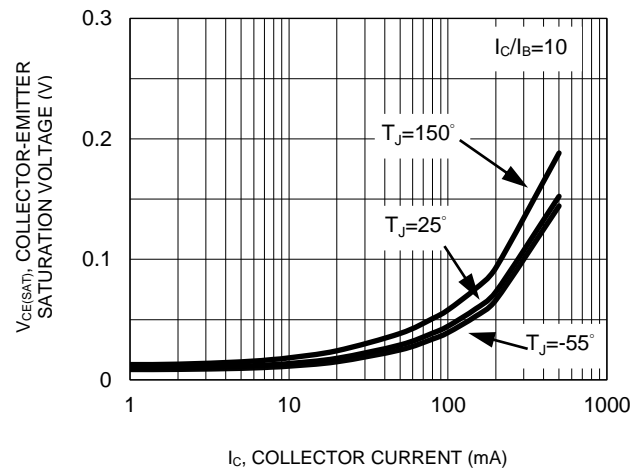


Fig.5 Base-Emitter Saturation Voltage vs. Collector Current

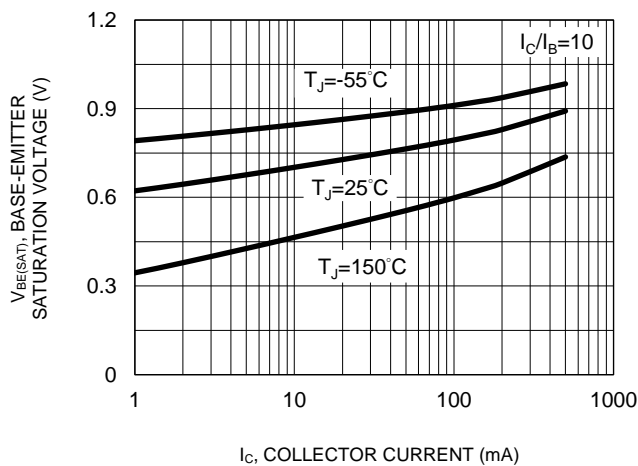
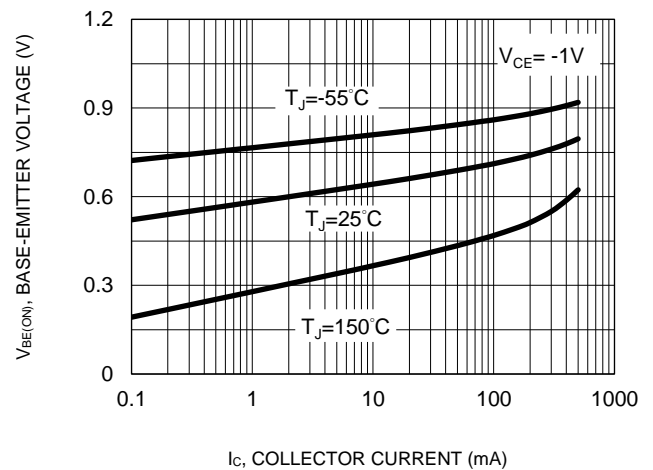
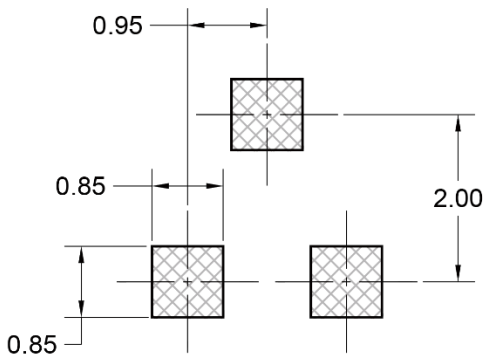
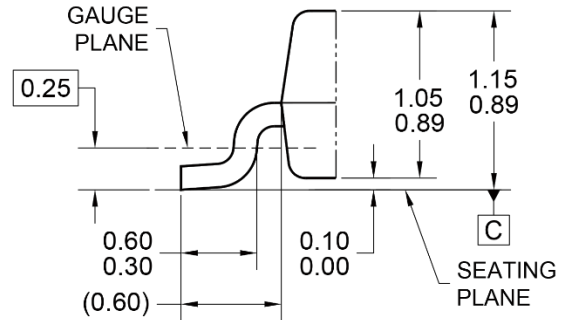
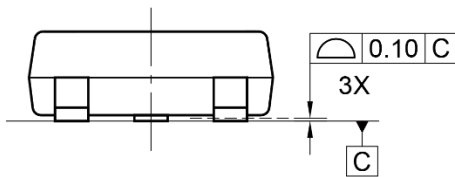
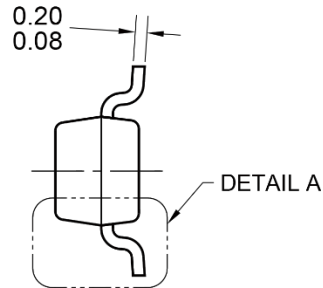
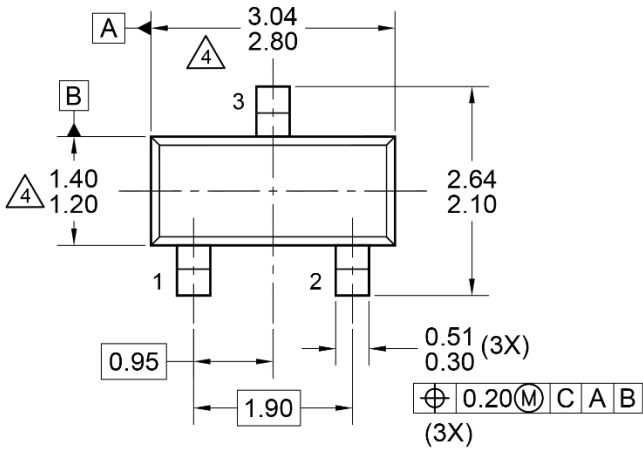


Fig.6 Base-Emitter Voltage vs. Collector Current

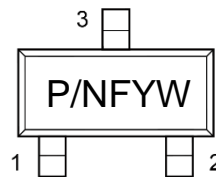


PACKAGE OUTLINE DIMENSIONS

SOT-23



SUGGESTED PAD LAYOUT



MARKING DIAGRAM

NOTES: UNLESS OTHERWISE SPECIFIED

1. ALL DIMENSIONS ARE IN MILLIMETERS.
2. DIMENSIONING AND TOLERANCING PER ASME Y14.5M-1994.
3. PACKAGE OUTLINE REFERENCE: JEDEC TO-236, ISSUE H, VARIATION AA.
4. MOLDED PLASTIC BODY DIMENSIONS DO NOT INCLUDE MOLD FLASH, PROTRUSIONS OR GATE BURRS.
5. DWG NO. REF: HQ2SD07-SOT23JEDEC-104 REV B.

- P/N = Device marking
 F = Factory code
 Y = Year code
 W = Bi-Week code (A~Z)

Notice

Specifications of the products displayed herein are subject to change without notice. TSC or anyone on its behalf, assumes no responsibility or liability for any errors or inaccuracies.

Purchasers are solely responsible for the choice, selection, and use of TSC products and TSC assumes no liability for application assistance or the design of Purchasers' products.

Information contained herein is intended to provide a product description only. No license, express or implied, to any intellectual property rights is granted by this document. Except as provided in TSC's terms and conditions of sale for such products, TSC assumes no liability whatsoever, and disclaims any express or implied warranty, relating to sale and/or use of TSC products including liability or warranties relating to fitness for a particular purpose, merchantability, or infringement of any patent, copyright, or other intellectual property right.

The products shown herein are not designed for use in medical, life-saving, or life-sustaining applications. Customers using or selling these products for use in such applications do so at their own risk and agree to fully indemnify TSC for any damages resulting from such improper use or sale.