

Hydraulic-magnetic circuit breaker - HMC 11 120AC 5A C1D2 TBUS



2907203

<https://www.phoenixcontact.com/us/products/2907203>

Please be informed that the data shown in this PDF document is generated from our Online Catalog. Please find the complete data in the user documentation. Our General Terms of Use for Downloads are valid.

HMC series of supplemental circuit protector busbar modules, 5 A rating



Your advantages

- T-bus for up to 15 A power distribution
- UL recognized for hazardous locations Class I, Division 2, Groups A, B, C, and D
- Dual-rated for 50 V DC and 120 V AC
- Hydraulic-magnetic technology provides extended temperature stability

Commercial Data

Item number	2907203
Packing unit	1 pc
Note	Made to Order (non-returnable)
Sales Key	C09
Product Key	CLA181
GTIN	4055626342450
Weight per Piece (including packing)	222.222 g
Weight per Piece (excluding packing)	222.222 g
Country of origin	US

Hydraulic-magnetic circuit breaker - HMC 11 120AC 5A C1D2 TBUS



2907203

<https://www.phoenixcontact.com/us/products/2907203>

Technical Data

Notes

Trade restriction

CE note	The products are offered exclusively for export outside the EU and the European Economic Area.
---------	--

Product properties

Product type	Device circuit breakers
Number of positions	4
Number of rows	1

Electrical properties

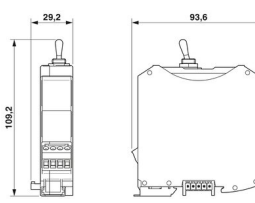
General

Nominal current I_N	5 A
Rated voltage	120 V AC (50/60 Hz)
	50 V DC
Rated short-circuit switching capacity I_{cn}	1 kA ()
Fuse	Hydraulic magnetic circuit breaker

Connection data

Screw thread	M3
Tightening torque	0.5 ... 0.6 Nm
Stripping length	7 mm
Conductor cross section solid	0.2 mm ² ... 2.5 mm ²
Cross section AWG	24 ... 12 (converted acc. to IEC)
Conductor cross section flexible	0.2 mm ² ... 2.5 mm ²
Conductor cross section, flexible [AWG]	24 ... 12 (converted acc. to IEC)

Dimensions

Dimensional drawing	
Width	29.2 mm
Height	93.6 mm
Depth	109.2 mm

Material specifications

Hydraulic-magnetic circuit breaker - HMC 11 120AC 5A C1D2 TBUS



2907203

<https://www.phoenixcontact.com/us/products/2907203>

Color	gray
Material	Polyamide
Flammability rating according to UL 94	V0

Environmental and real-life conditions

Ambient conditions

Ambient temperature (operation)	-40 °C ... 65 °C
Ambient temperature (storage/transport)	-40 °C ... 65 °C

Standards and regulations

Standards/specifications	UL 1077
--------------------------	---------

Mounting

Mounting type	DIN rail: 35 mm
Mounting position	As desired on 35 mm DIN rail in acc. with EN 60715

Hydraulic-magnetic circuit breaker - HMC 11 120AC 5A C1D2 TBUS

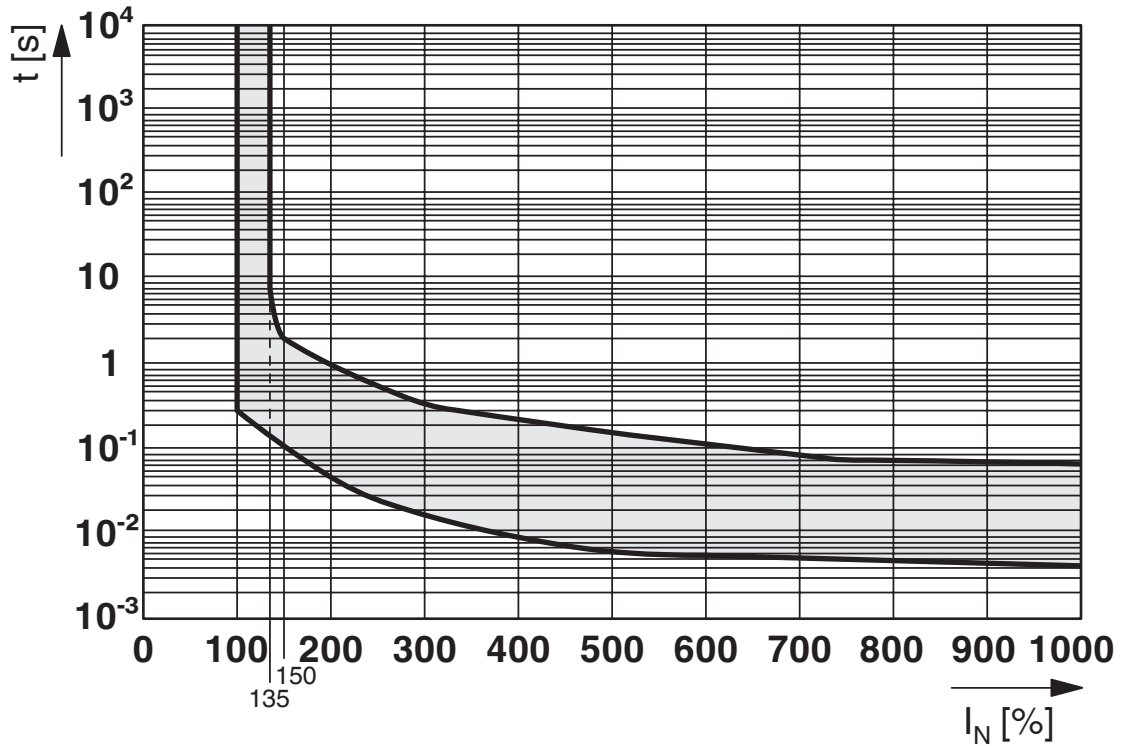


2907203

<https://www.phoenixcontact.com/us/products/2907203>

Drawings

Diagram



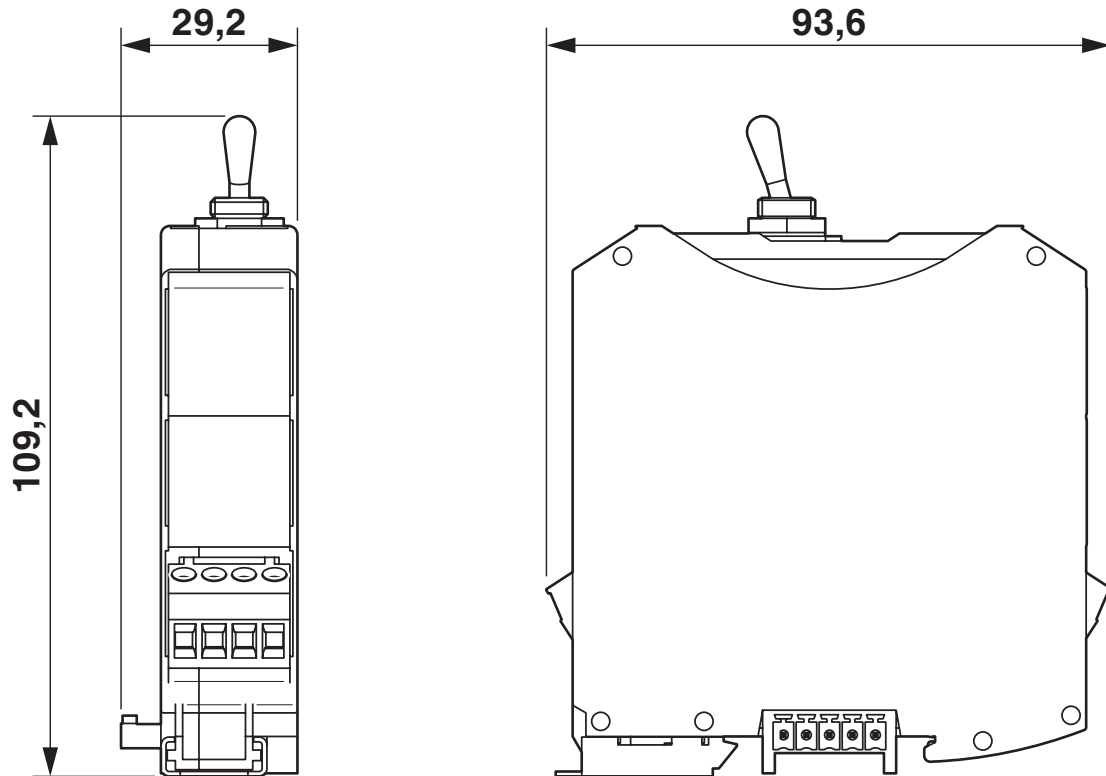
Hydraulic-magnetic circuit breaker - HMC 11 120AC 5A C1D2 TBUS



2907203

<https://www.phoenixcontact.com/us/products/2907203>

Dimensional drawing



Hydraulic-magnetic circuit breaker - HMC 11 120AC 5A C1D2 TBUS



2907203

<https://www.phoenixcontact.com/us/products/2907203>

Approvals



cUL Recognized
Approval ID: FILE E 140459



UL Recognized
Approval ID: FILE E 140459



cUL Recognized
Approval ID: FILE E 360692



UL Recognized
Approval ID: FILE E 360692

cULus Recognized

cULus Recognized

Hydraulic-magnetic circuit breaker - HMC 11 120AC 5A C1D2 TBUS



2907203

<https://www.phoenixcontact.com/us/products/2907203>

Classifications

ECLASS

ECLASS-9.0	27141116
ECLASS-10.0.1	27141116
ECLASS-11.0	27141116

ETIM

ETIM 7.0	EC000899
----------	----------

Hydraulic-magnetic circuit breaker - HMC 11 120AC 5A C1D2 TBUS



2907203

<https://www.phoenixcontact.com/us/products/2907203>

Environmental Product Compliance

REACH SVHC	Lead 7439-92-1
China RoHS	Environmentally Friendly Use Period = 50 years
	For information on hazardous substances, refer to the manufacturer's declaration available under "Downloads"

Hydraulic-magnetic circuit breaker - HMC 11 120AC 5A C1D2 TBUS



2907203

<https://www.phoenixcontact.com/us/products/2907203>

Accessories

DIN rail perforated

DIN rail perforated - NS 35/ 7,5 PERF 2000MM - 0801733

<https://www.phoenixcontact.com/us/products/0801733>



DIN rail perforated, acc. to EN 60715, material: Steel, galvanized, passivated with a thick layer, Standard profile, color: silver, Pack of 25 (50 m)

DIN rail, unperforated

DIN rail, unperforated - NS 35/ 7,5 CU UNPERF 2000MM-VPE 10 - 0801762

<https://www.phoenixcontact.com/us/products/0801762>



DIN rail, unperforated, acc. to EN 60715, material: Copper, uncoated, Standard profile, color: copper-colored, Pack of 10 (20 m)

Hydraulic-magnetic circuit breaker - HMC 11 120AC 5A C1D2 TBUS



2907203

<https://www.phoenixcontact.com/us/products/2907203>

DIN rail, unperforated

DIN rail, unperforated - NS 35/15 UNPERF 2000MM - 1201714

<https://www.phoenixcontact.com/us/products/1201714>



DIN rail, unperforated, similar to EN 60715, material: Steel, galvanized, passivated with a thick layer, Standard profile, color: silver, Pack of 25 (50 m)

End clamp

End clamp - CLIPFIX 35-5 - 3022276

<https://www.phoenixcontact.com/us/products/3022276>



Quick mounting end clamp for NS 35/7,5 DIN rail or NS 35/15 DIN rail, with marking option, with parking option for FBS...5, FBS...6, KSS 5, KSS 6, width: 5.15 mm, color: gray

Hydraulic-magnetic circuit breaker - HMC 11 120AC 5A C1D2 TBUS



2907203

<https://www.phoenixcontact.com/us/products/2907203>

End clamp

End clamp - E/UK 1 - 1201413

<https://www.phoenixcontact.com/us/products/1201413>



End clamps, for supporting the ends of double-level and three-level terminal blocks, width: 10 mm, color: gray

DIN rail, unperforated

DIN rail, unperforated - NS 35/15 CU UNPERF 2000MM-VPE 10 - 1201895

<https://www.phoenixcontact.com/us/products/1201895>



DIN rail, unperforated, similar to EN 60715, material: Copper, uncoated, Standard profile, color: copper-colored, Pack of 10 (20 m)

Hydraulic-magnetic circuit breaker - HMC 11 120AC 5A C1D2 TBUS



2907203

<https://www.phoenixcontact.com/us/products/2907203>

DIN rail, unperforated

DIN rail, unperforated - NS 35/15-2,3 UNPERF 2000MM-VPE 10 - 1201798

<https://www.phoenixcontact.com/us/products/1201798>



DIN rail, unperforated, acc. to EN 60715, material: Steel, galvanized, passivated with a thick layer, Standard profile 2.3 mm, color: silver, Pack of 10 (20 m)

DIN rail, unperforated

DIN rail, unperforated - NS 35/15 AL UNPERF 2000MM - 1201756

<https://www.phoenixcontact.com/us/products/1201756>



DIN rail, unperforated, similar to EN 60715, material: Aluminum, uncoated, Standard profile, color: silver

Hydraulic-magnetic circuit breaker - HMC 11 120AC 5A C1D2 TBUS



2907203

<https://www.phoenixcontact.com/us/products/2907203>

DIN rail perforated

DIN rail perforated - NS 35/15 PERF 2000MM - 1201730

<https://www.phoenixcontact.com/us/products/1201730>



DIN rail perforated, similar to EN 60715, material: Steel, galvanized, passivated with a thick layer, Standard profile, color: silver, Pack of 25 (50 m)

Phoenix Contact 2022 © - all rights reserved
<https://www.phoenixcontact.com>

Phoenix Contact USA
586 Fulling Mill Road
Middletown, PA 17057, United States
(+717) 944-1300
info@phoenixcon.com