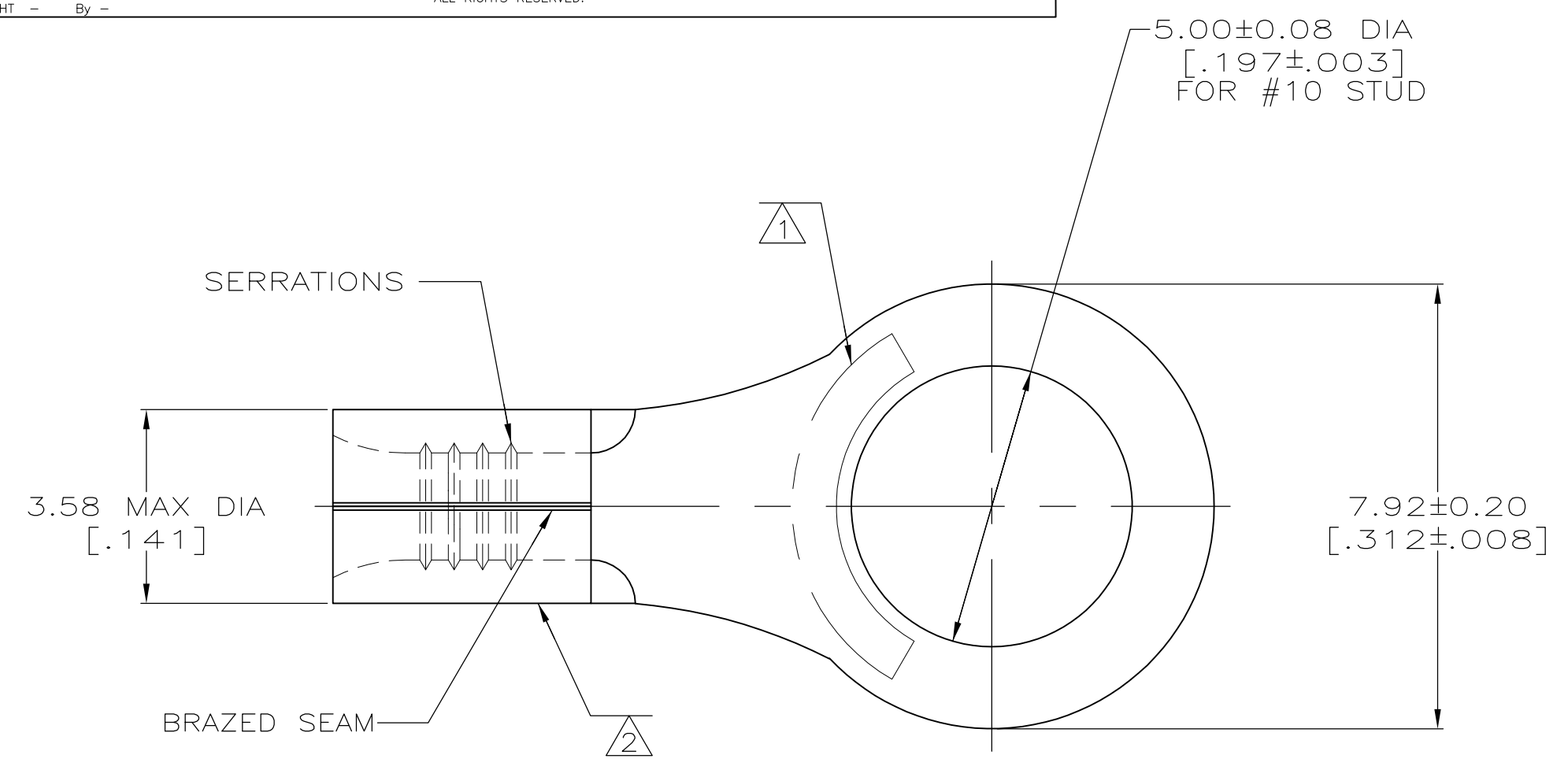
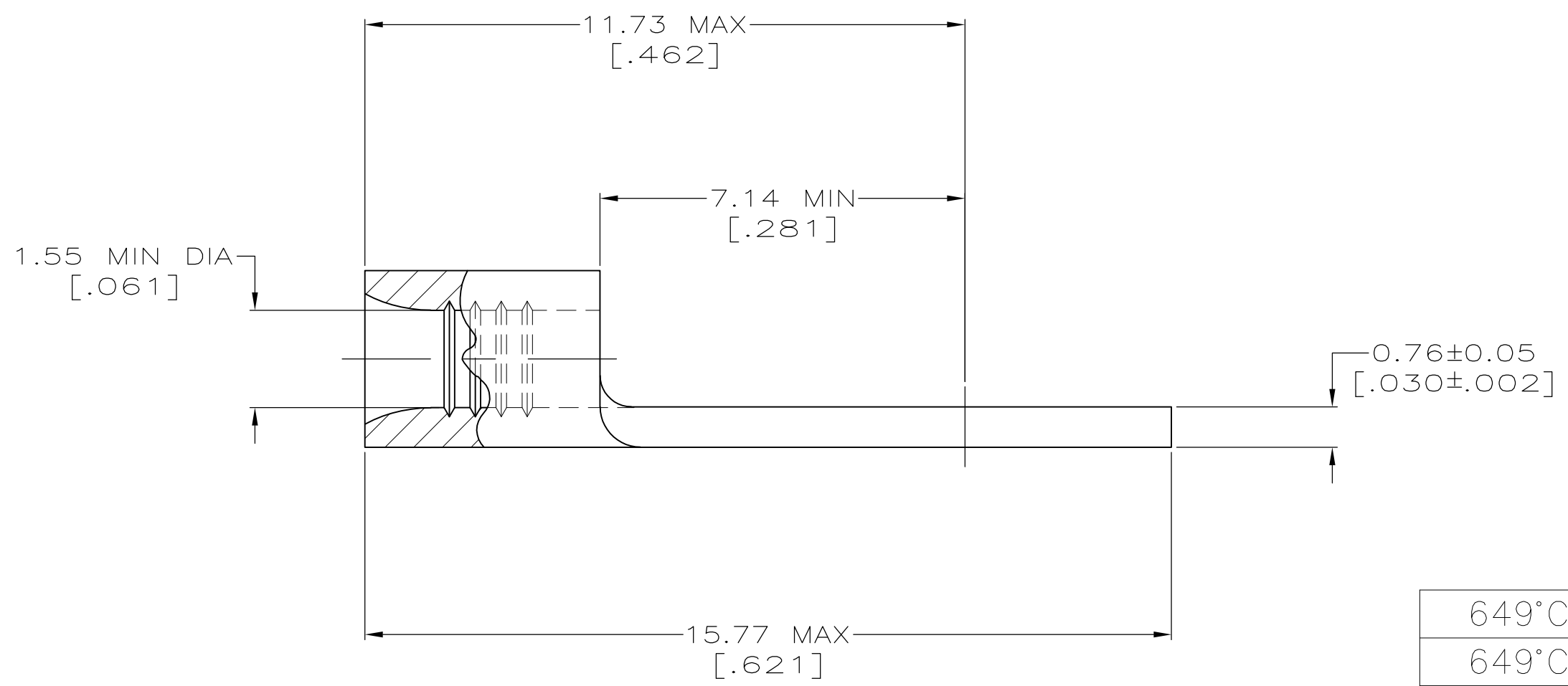


LOC	DIST	REVISIONS					
G	14	P	LTR	DESCRIPTION	DATE	OWN	APVD
		F3		REVISED PER ECO-13-008673	23MAY13	KH	DR



AMP
 WIRE RANGE
 22-16 AWG
 SOLID OR STRANDED

- 1 STAMP AMP 22-18 APPROX AS SHOWN
 22-16 TERMINALS ARE STAMPED 22-18 IN
 ACCORDANCE WITH MILITARY SPEC SAE AS7928
 COMMERCIAL WIRE RANGE IS 22-16
- 2 WIRE BARREL COLOR CODED ORANGE
 TO DENOTE NICKEL MATERIAL
- 3 GOLD PLATE 0.00127[.000050]MIN EXT.
 THK PER ASTM B488 TYPE 1, CODE C OVER
 NICKEL FLASH PER SAE AMS QQ-N-290
 OVER WOODS NICKEL FLASH PER ASTM B558.
- 4 NOTE DELETED
- 5 MATERIAL: NICKEL-MANGANESE-ALUMINIUM ALLOY
 THERMOCOUPLE MATERIAL "TYPE K"
 NEGATIVE LEAD PER ASTM E230, ANNEALED.
- 6 MATERIAL: NICKEL-CHROMIUM ALLOY THERMOCOUPLE
 MATERIAL "TYPE K" POSITIVE LEAD PER
 ASTM E230, ANNEALED
- 7 MATERIAL: NICKEL PER ASTM B162, ANNEALED



	649°C [1200°F]	6	—	500	LOOSE PIECE	2-321896-5
	649°C [1200°F]	5	—	1000	LOOSE PIECE	2-321896-2
OBSOLETE	649°C [1200°F]	7	—	5000	ON TAPE	2-321896-4
	260°C [500°F]	7	3	1000	LOOSE PIECE	321896-1
2	649°C [1200°F]	7	—	1000	LOOSE PIECE	321896
	MAX OPERATING TEMP	MATERIAL	FINISH	QTY	PACKAGE TYPE	PART NO

AMP INCORPORATED CUSTOMER SERVICE SYSTEMS		MAX RECOMMENDED OPERATING TEMPERATURE: SEE TABLE
FOR ADDITIONAL PRODUCT INFORMATION OR COPIES OF DRAWINGS AND TECHNICAL DOCUMENTS	PRODUCT INFORMATION CENTER 1-800-522-6752	VOLTAGE RATING: NOT APPLICABLE
FOR APPLICATION TOOLING INFORMATION	TOOLING ASSISTANCE CENTER 1-800-722-1111	WIRE CROSS SECTIONAL AREA RANGE: 0.26-1.65mm ² [509-3,260] CIR MILS SOLID OR STRANDED
FOR ORDER ENTRY	1-800-526-5142	THIS DRAWING IS A CONTROLLED DOCUMENT FOR AMP INCORPORATED. IT IS SUBJECT TO CHANGE AND THE CONTROLLING ENGINEERING ORGANIZATION SHOULD BE CONTACTED FOR THE LATEST REVISION.

THIS DRAWING IS A CONTROLLED DOCUMENT.		DWN TA BRINKMAN 4-15-93	TE Connectivity TERMINAL, RING TONGUE, HIGH TEMPERATURE, STRATO-THERM™
DIMENSIONS: mm [INCHES]		CHK DA PATTERSON 4-15-93	
TOLERANCES UNLESS OTHERWISE SPECIFIED:		APVD DE MILLER 4-15-93	
0 PLC ± - 1 PLC ± - 2 PLC ± - 3 PLC ± - 4 PLC ± - ANGLES ± ± -		NAME PRODUCT SPEC APPLICATION SPEC	
MATERIAL SEE TABLE	FINISH SEE TABLE	WEIGHT -	SIZE A2
CUSTOMER DRAWING		CAGE CODE 00779	DRAWING NO 321896
		RESTRICTED TO -	SCALE 10:1 SHEET 1 OF 1 REV F3

Mouser Electronics

Authorized Distributor

Click to View Pricing, Inventory, Delivery & Lifecycle Information:

[TE Connectivity:](#)

[321896](#)