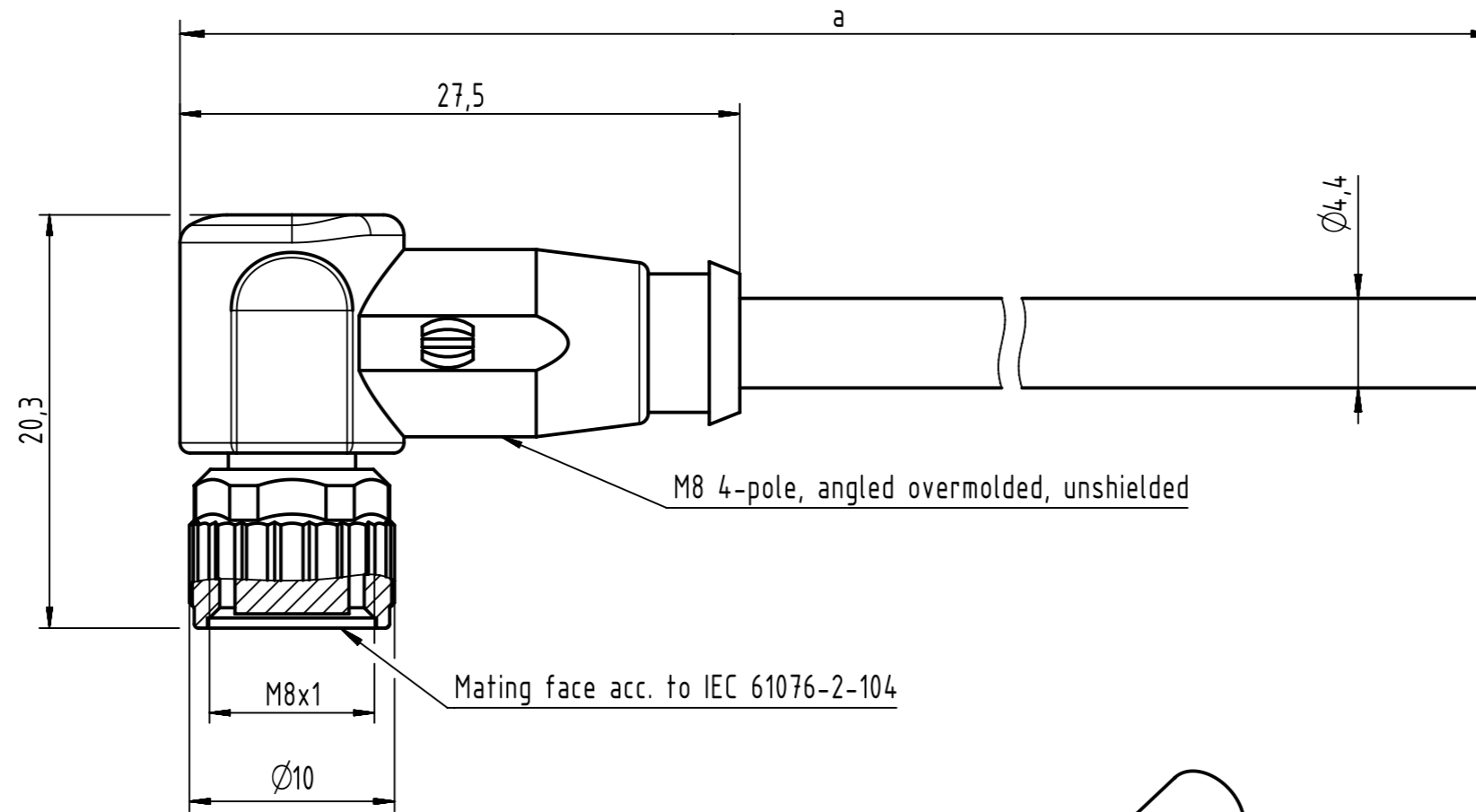


Connector Location A

Connector Location B

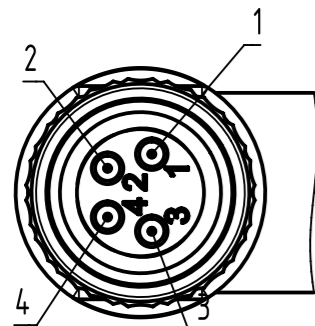


M8 4-pole, angled overmolded, unshielded

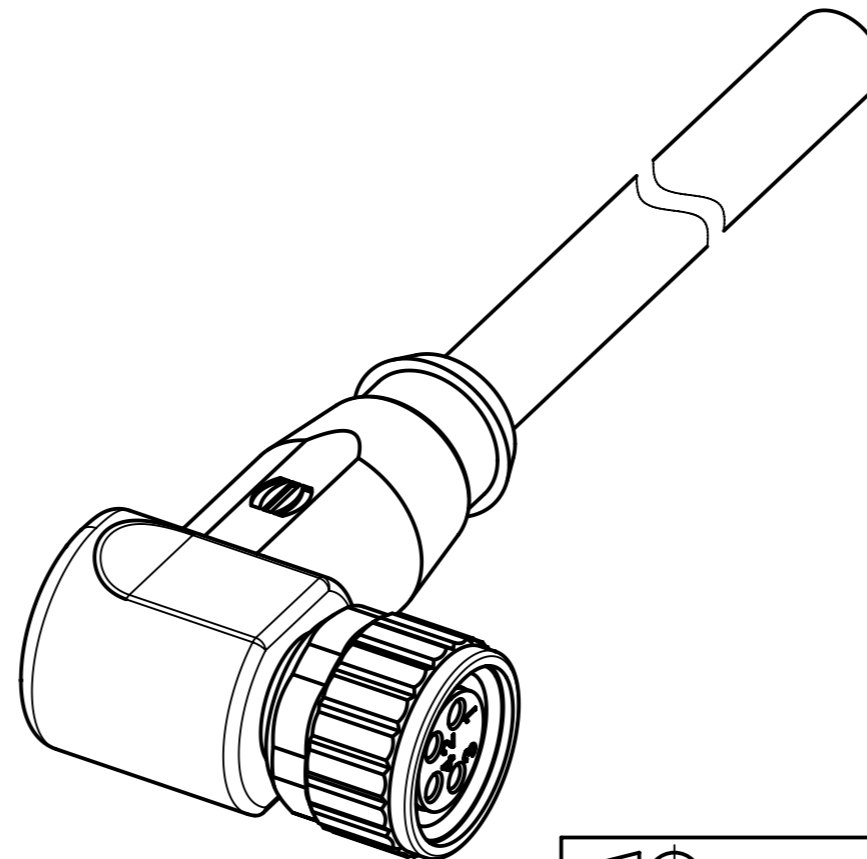
Mating face acc. to IEC 61076-2-104

X female

Loading-Plan



- 1 brown
- 2 white
- 3 blue
- 4 black



- Protection level: IP67
- Temperature range: -25°C ... +80°C

length in "1m" step	40	XXX=400
	39	XXX=390
	.	.
	12	XXX=120
length in "0.1m" step	11	XXX=110
	10	XXX=100
	9.9	XXX=099
	9.8	XXX=098
	.	.
	0.4	XXX=004
	0.3	XXX=003
	0.2	XXX=002
	0.1	XXX=001
Step	a [m]	XXX

4.0 to 40	±1%
0.1 to 3.9	+0.04
a [m]	Tolerance

PUR black, 4x0.25mm ²	21348300489XXX
Type of cable	Part no.

	All rights reserved	Created by STOCHECIC Stocheci	Inspected by COSTEA Costea	Standardisation MUNTEANV Muntean	Date 2019-01-11	State Final Release
	Department HCS - RO	Title M8 Cable Assembly 4-poles an/- f/-				Doc-Key / ECM-Nr. 100809803/UGD/009/A 500000145294
HARTING Customised Solutions D-32339 Espelkamp		Type TB	Number 21348300489XXX		Rev. A	Page 1/1

Mouser Electronics

Authorized Distributor

Click to View Pricing, Inventory, Delivery & Lifecycle Information:

HARTING:

[21348300489100](#) [21348300489015](#) [21348300489020](#) [21348300489050](#) [21348300489075](#) [21348300489005](#)
[21348300489010](#)