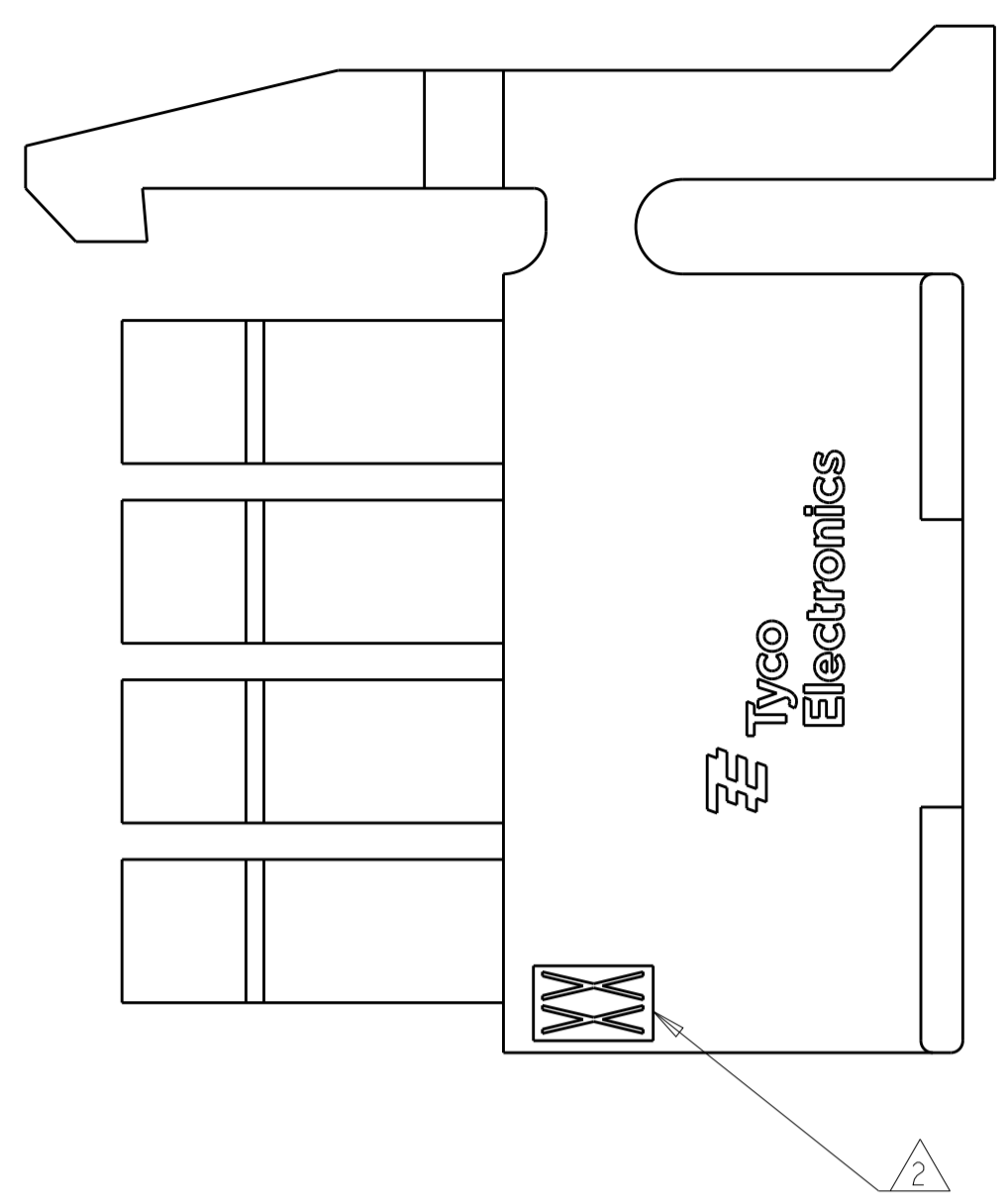
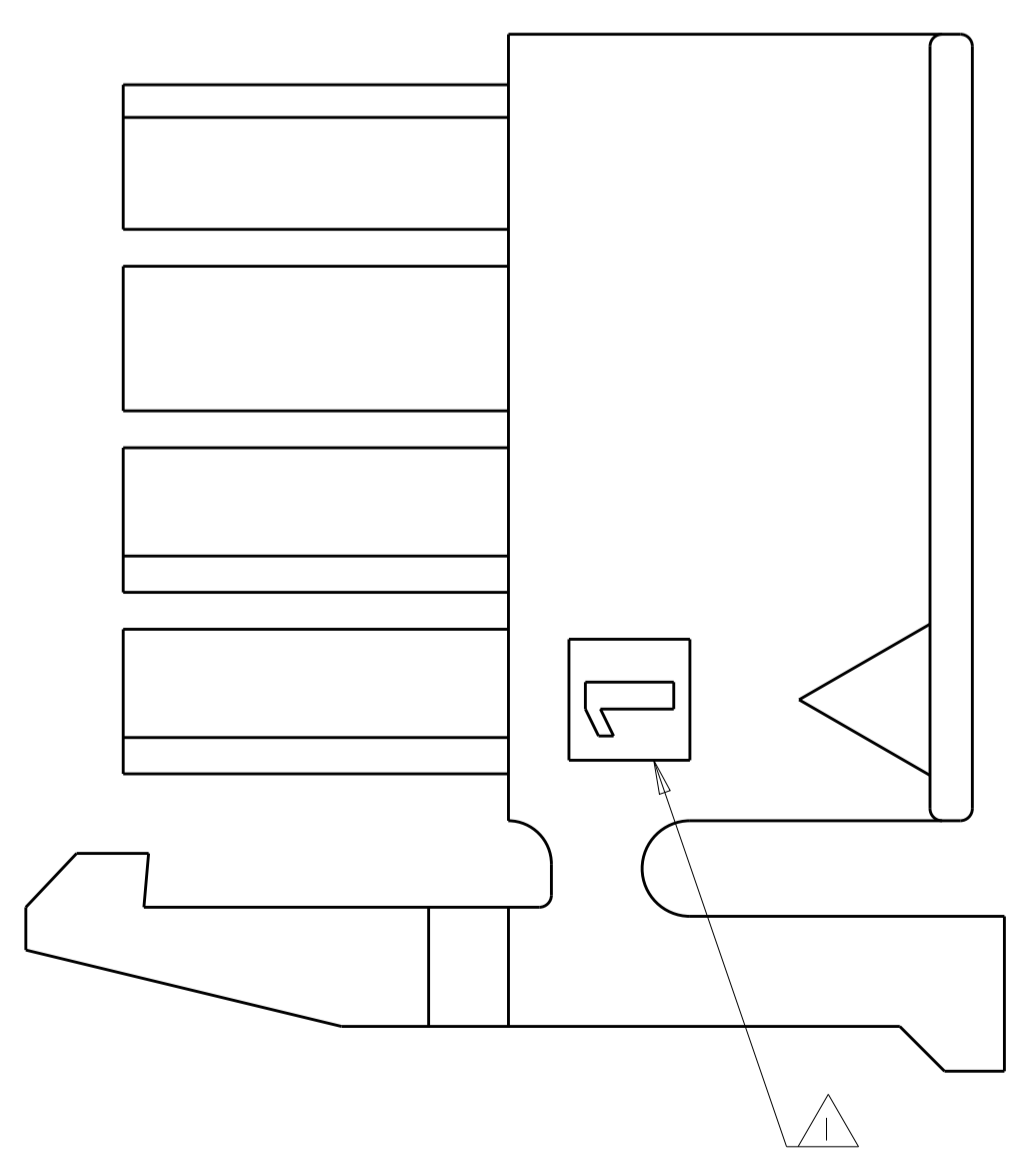
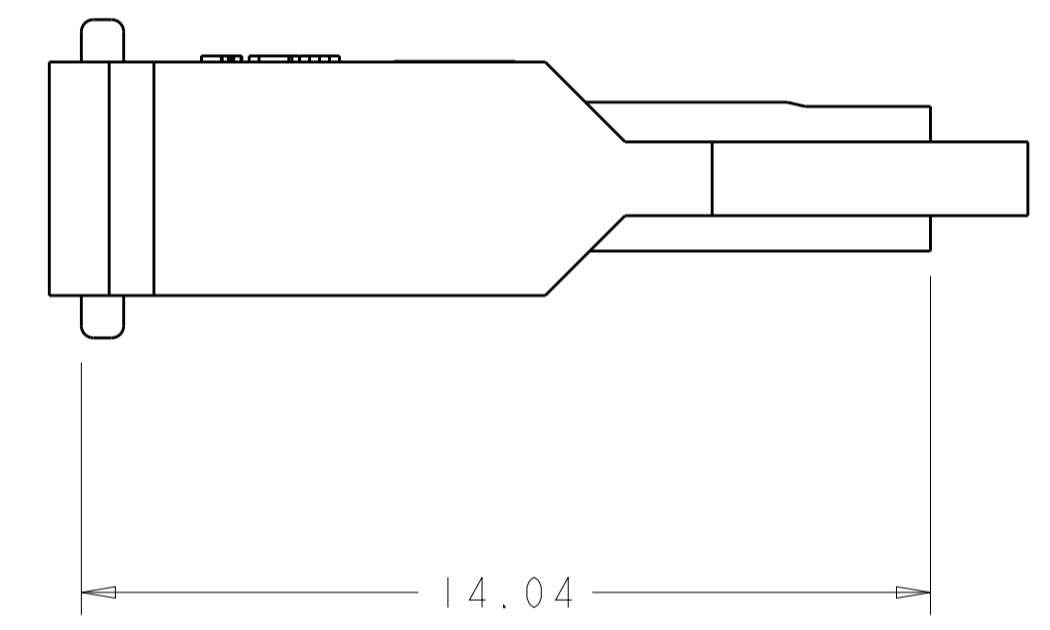
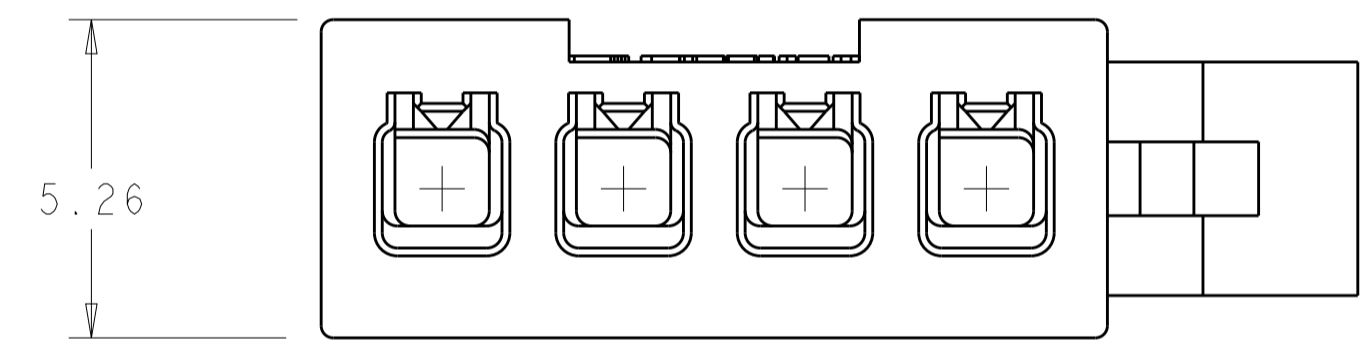
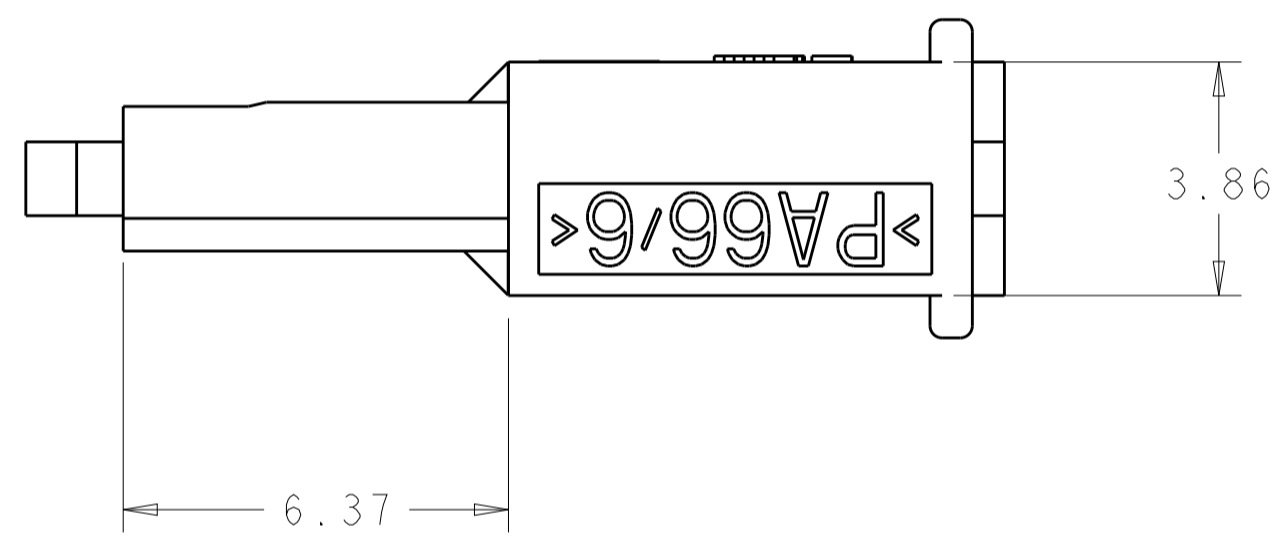
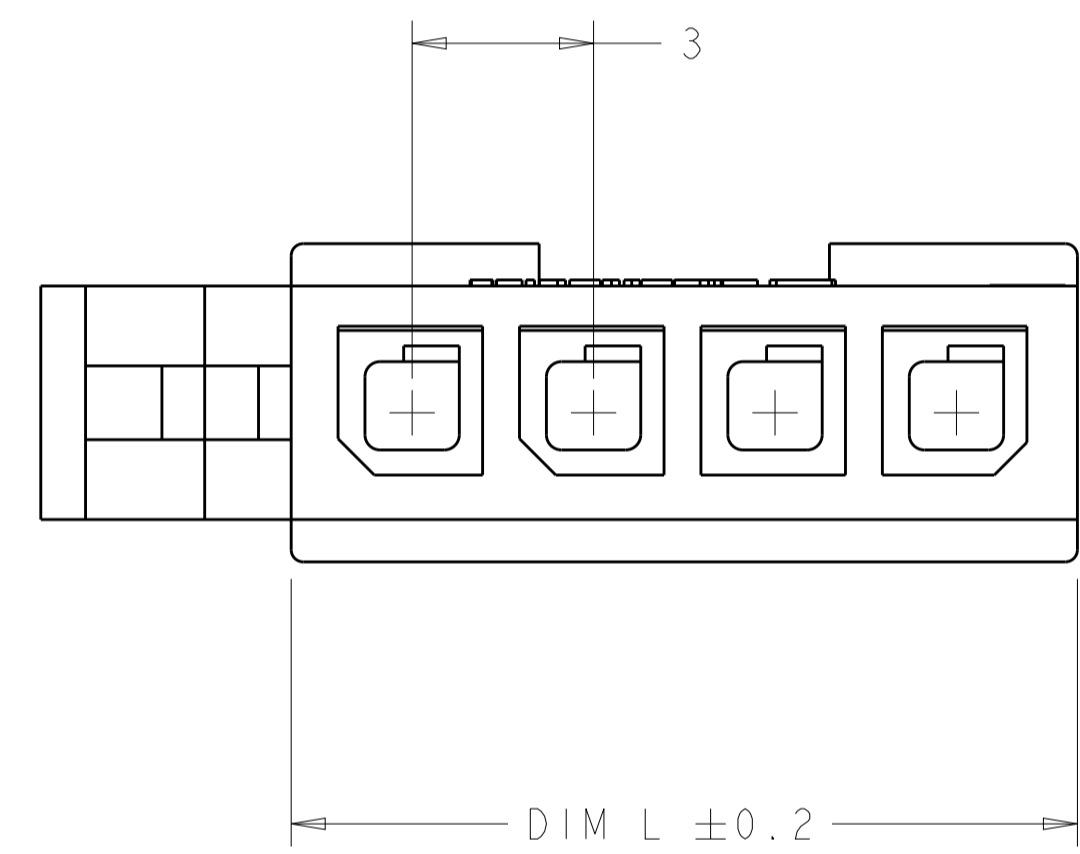


LOC	DIST	REVISIONS			
P	LTN	DESCRIPTION	DATE	DWN	APVD
B		REVISED PER ECO-17-000100	03MAR2017	CX	DZ
B1		REVISED PER ECO-17-007352	10MAY2017	CX	DZ
B2		ECO-19-004882	10APR2019	AP	WLS
B3		REVISED PER ECN-20-100715	30NOV2020	WLS	VS



- ① CIRCUIT 1 IDENTIFIER, LOCATED APPROXIMATELY AS SHOWN.
- ② LAST CIRCUIT IDENTIFIER, LOCATED APPROXIMATELY AS SHOWN.
- ③ MATERIAL NYLON66/6 VO UL94 .
- ④ MATERIAL PA66 VO GW UL94 .
- ⑤ PRELIMINARY PART NOT RELEASED FOR PRODUCTION.



OBsolete	④	⑤	VOLUME mm <sup>3</sup>	DIM L	NO OF POS.	PART NO.
			272.6	7	2	2029047-2
	③		434.05	13	4	2029047-4
	③		353.32	10	3	2029047-3
	③		272.6	7	2	2029047-2

THIS DRAWING IS A CONTROLLED DOCUMENT.		DWN: R. WHITAKER 03JAN2008	<b>STE</b> TE Connectivity	
DIMENSIONS: mm		CHK: C. JONES 03JAN2008		
TOLERANCES UNLESS OTHERWISE SPECIFIED:		APVD: C. JONES 03JAN2008	NAME: RECEPTACLE HOUSING, SPECIAL, SINGLE ROW, MICRO MATE-L-LOK(TM)	
0 PLC ±	1 PLC ±0.13	PRODUCT SPEC	SIZE: CAGE CODE DRAWING NO	
2 PLC ±	3 PLC ±	APPLICATION SPEC	RESTRICTED TO	
4 PLC ±	ANGLES ±1°	114-13000	A100779C=2029047	
MATERIAL: NYLON, UL94V-0 BLACK	FINISH: -	WEIGHT: -	RESTRICTED CUSTOMER	
SCALE: 8:1			SHEET 1 OF 1 REV: B3	

# Mouser Electronics

Authorized Distributor

Click to View Pricing, Inventory, Delivery & Lifecycle Information:

[TE Connectivity:](#)

[2029047-3](#)