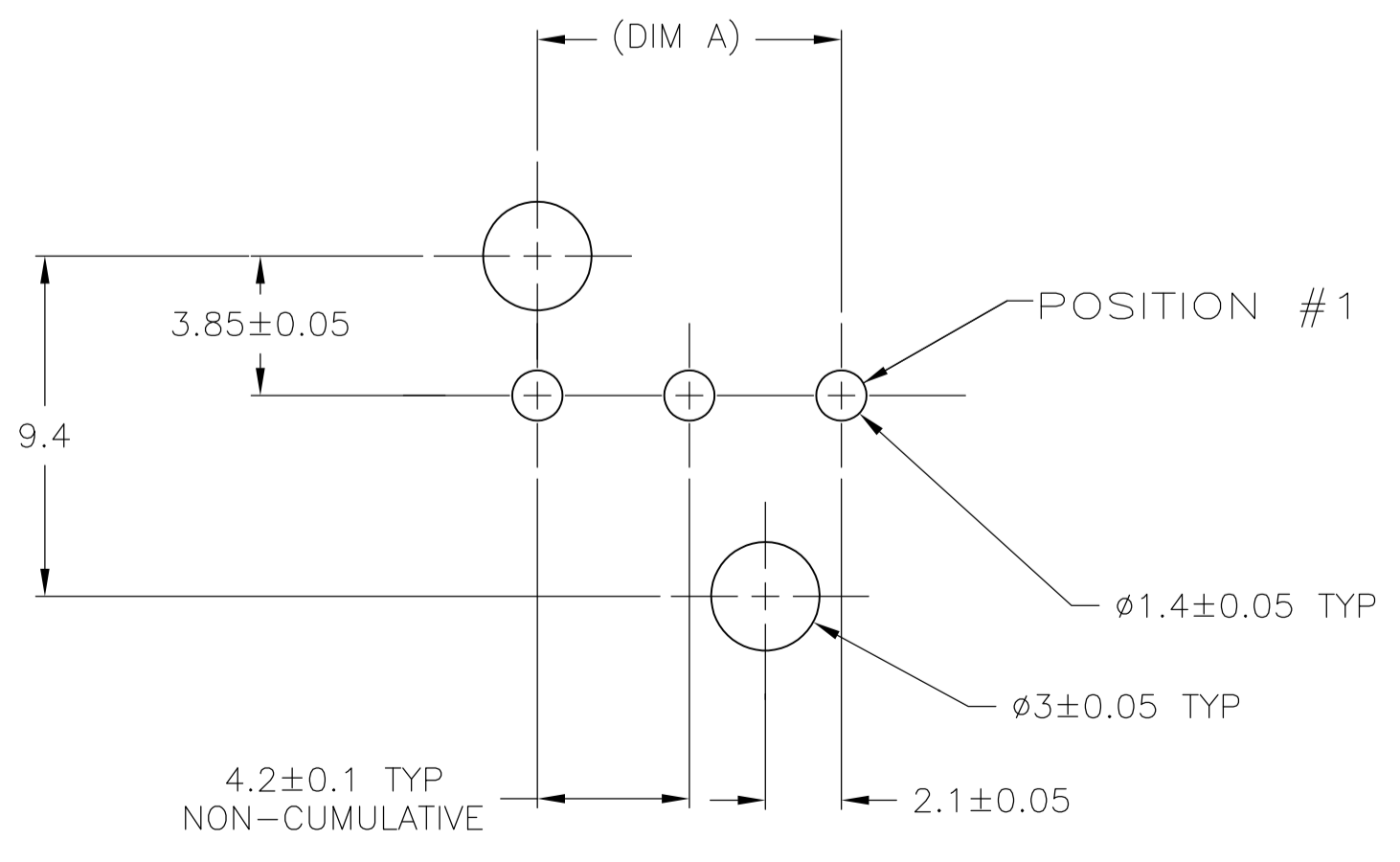
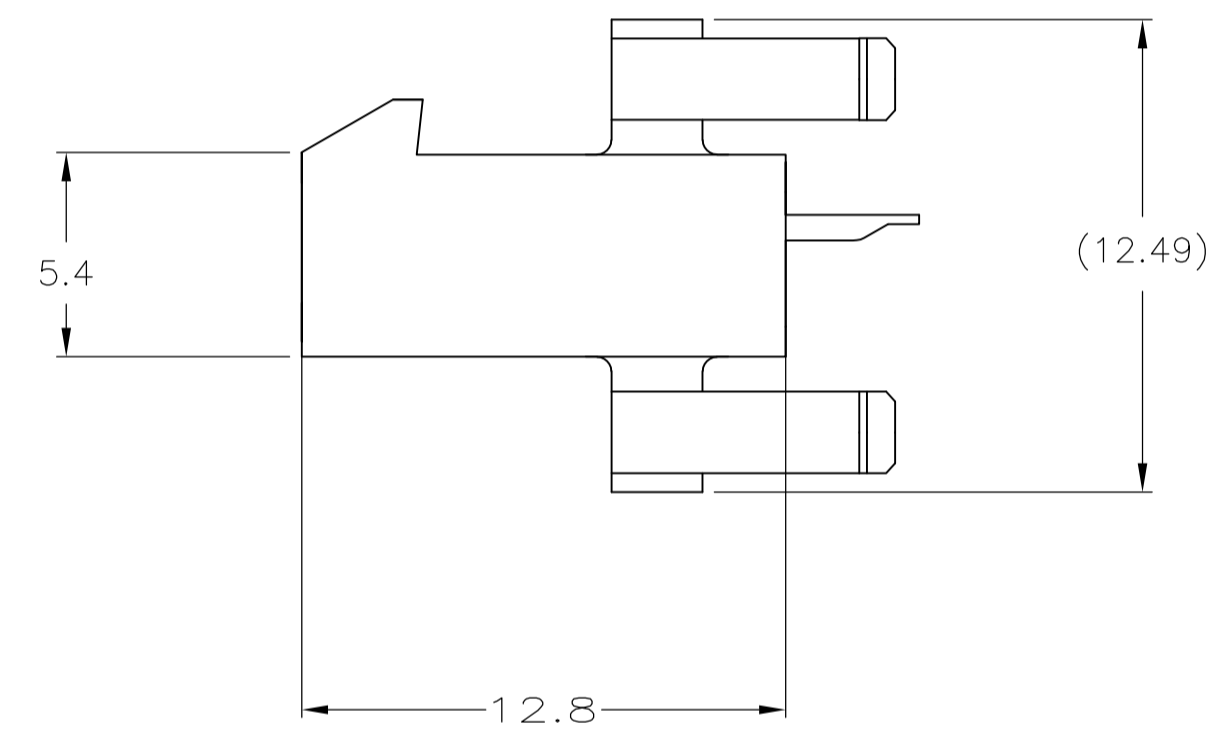
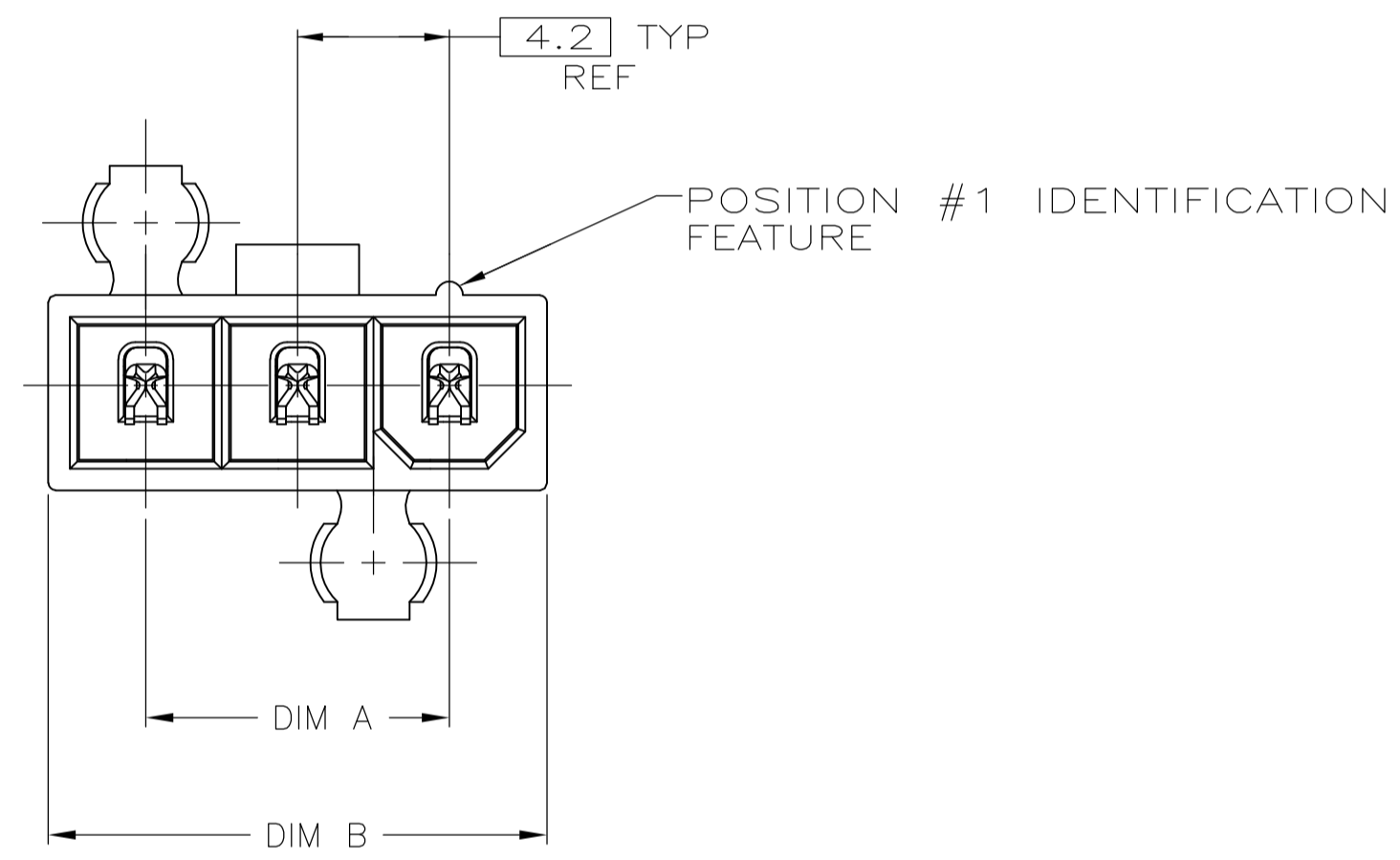
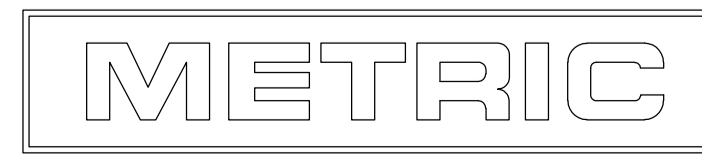


- 1 MATERIAL: HOUSING-NYLON, UL94V-2 (COLOR-NATURAL, COLOR OF PARTS MAY VARY) CONTACTS-0.25 [.010] THICK BRASS ALLOY.
- 2 TYCO ELECTRONICS LOGO AND MATERIAL ID MAY BE LOCATED ON EITHER LONG SIDE OF PART.
- 3 CONTACT FINISH: 0.002032 [.000080] MIN MATTE TIN OVER 0.000381 [.000015] MIN NICKEL OVER ENTIRE CONTACT.
- 4 MATES WITH VAL-U-LOK(TM) RECEPTACLE HOUSINGS.



RECOMMENDED MOUNTING HOLE PATTERN FOR 1.78 MAX THICK P.C. BOARD COMPONENT SIDE SHOWN

22.2	16.8	5	2029058-5
18	12.6	4	2029058-4
13.8	8.4	3	2029058-3
DIM B	DIM A	NO. OF POSITIONS	PART NO



THIS DRAWING IS A CONTROLLED DOCUMENT.

DIMENSIONS: mm	TOLERANCES UNLESS OTHERWISE SPECIFIED:	DIN K. WHITAKER 11JAN2008	TE Connectivity
0 PLC ± -	1 PLC ± 0.2	CHK C. CASH 11JAN2008	NAME PLUG ASSEMBLY, VERTICAL, SINGLE ROW, 94V-2, W/O DRAIN HOLES, VAL-U-LOK(TM)
2 PLC ± 0.13	3 PLC ± -	APPV C. CASH 11JAN2008	SIZE A1
4 PLC ± -	ANGLES ± 0°30'	PRODUCT SPEC	SCALE 5:1
MATERIAL	FINISH	APPLICATION SPEC	SHEET 1 OF 1
		WEIGHT	REV A1
		CUSTOMER DRAWING	

Mouser Electronics

Authorized Distributor

Click to View Pricing, Inventory, Delivery & Lifecycle Information:

[TE Connectivity:](#)

[2029058-5](#)