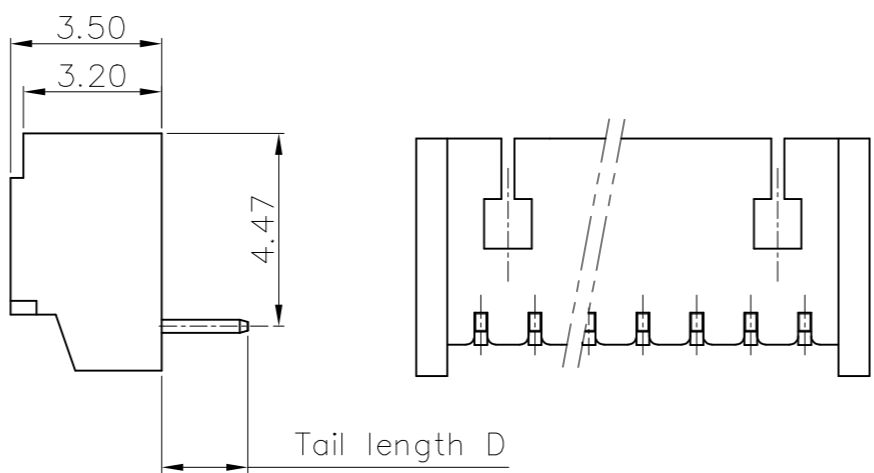
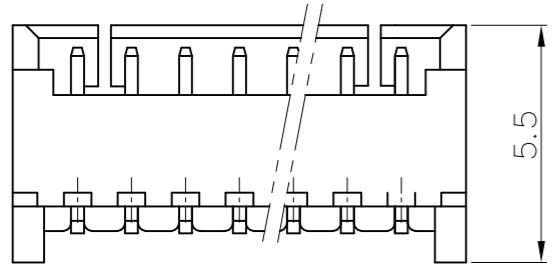
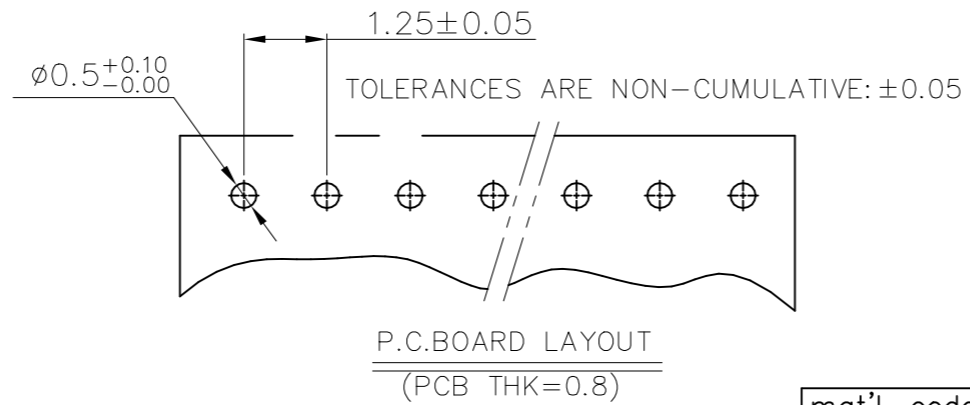
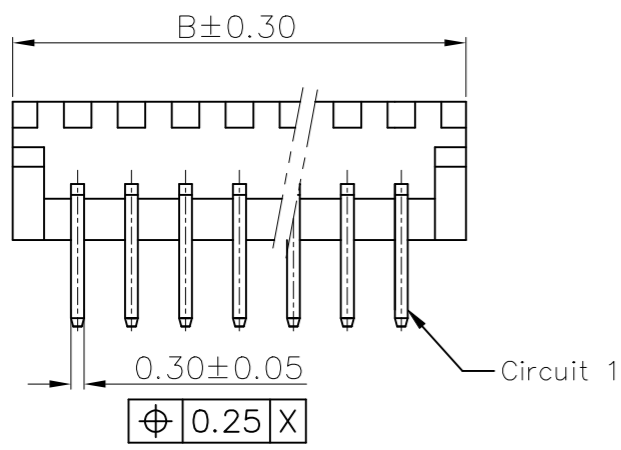


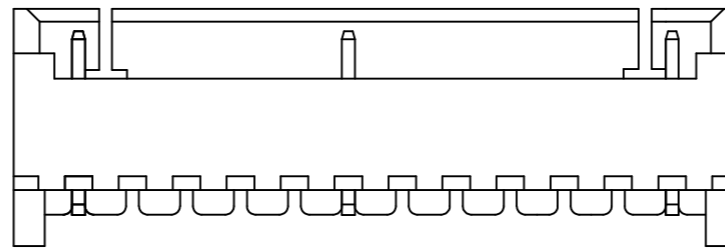
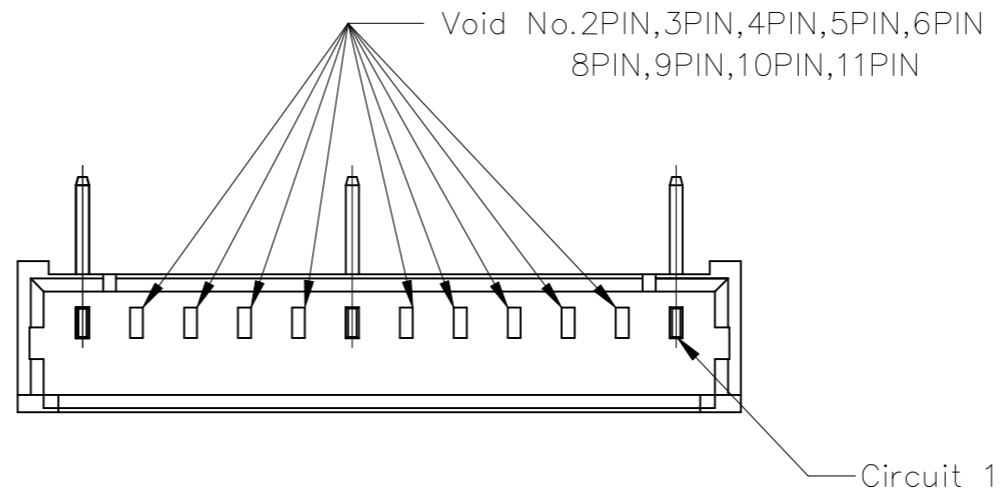
NOTES:  
 1. SPECIFICATIONS  
 Current Rating: 1A AC,DC  
 Voltage Rating: 125V AC,DC  
 Temperature Range: -40°C ~ +105°C  
 Contact Resistance: 20mΩ Max.  
 Insulation Resistance: 100MΩ Min.  
 Withstanding Voltage: 500V AC/minute  
 2. Material & finish:  
 Housing: Natural Thermoplastic, UL94V-0  
 Terminal: Phosphor Bronze  
 Plating of contact area: Matte Tin or gold plating over Nickel  
 Plating of solder area: Tin plated over Nickel  
 3. Crimping application hand tool P/N: 10118656-1000  
 4. Product specification: GS-12-675  
 5. Packaging specification: GS-14-1593  
 6. Ordering Information & Dimensions:  
 10114831- X X X XX X LF  
 Material 1: LCP  
 VOID: NORMAL  
 1: SEE SHEET 2  
 pin code from 02~15(D=2.0mm)  
 pin code from 32~45(D=2.3mm)  
 Plating  
 0: Matte Tin  
 1: Gold Flash  
 2: 15u" Gold ON CONTACT AREA  
 3: 30u" Gold ON CONTACT AREA  
 Packaging  
 1: Tape & Reel



Part No.		Dimensions			
D=2.0mm	D=2.3mm	POS	A	B	C
10114831-xxx02LF	10114831-xxx32LF	2	1.25±0.10	4.25	3.05
10114831-xxx03LF	10114831-xxx33LF	3	2.50±0.10	5.50	4.30
10114831-xxx04LF	10114831-xxx34LF	4	3.75±0.10	6.75	5.55
10114831-xxx05LF	10114831-xxx35LF	5	5.00±0.10	8.00	6.80
10114831-xxx06LF	10114831-xxx36LF	6	6.25±0.15	9.25	8.05
10114831-xxx07LF	10114831-xxx37LF	7	7.50±0.15	10.50	9.30
10114831-xxx08LF	10114831-xxx38LF	8	8.75±0.15	11.75	10.55
10114831-xxx09LF	10114831-xxx39LF	9	10.00±0.15	13.00	11.80
10114831-xxx10LF	10114831-xxx40LF	10	11.25±0.20	14.25	13.05
10114831-xxx11LF	10114831-xxx41LF	11	12.50±0.20	15.50	14.30
10114831-xxx12LF	10114831-xxx42LF	12	13.75±0.20	16.75	15.55
10114831-xxx13LF	10114831-xxx43LF	13	15.00±0.20	18.00	16.80
10114831-xxx14LF	10114831-xxx44LF	14	16.25±0.20	19.25	18.05
10114831-xxx15LF	10114831-xxx45LF	15	17.50±0.20	20.50	19.30



mat'l. code	surface	tolerance	projection	product family
	ISO 1302	ISO 406/ISO 1101		-
ltr	ecn no	dr	date	title
F	ELX-N-47289	JH	2023/01/17	WTB 1.25MM WAFER 90° DIP
				mm
				scale 1:1
	dr	Jeffrey.Huang	-	dwg no
	enr	Jeffrey.Huang	-	sheet1 of 2
	chr	TIM YAO	-	size
	appd	TIM YAO	-	A4
sheet index	revision	F		type
	sheet	1~2		Product Customer Drawing



10114831-XXXXX1LF

mat'l. code				surface ISO 1302 <input checked="" type="checkbox"/> ISO 406/ISO 1101		tolerance tolerances unless otherwise specified		projection 		product family -					
ltr				ecn no		dr		date		angles		linear		title WTB 1.25MM WAFER 90° DIP	
F				ELX-N-47289		JH		2023/01/17		0°±2'		.0±.5		mm	
										.00±.25		scale 1:1			
										.000±.010		Amphenol FCi		dwg no 10114831	
														sheet2 of 2	
														size A4	
														type Product Customer Drawing	
sheet index		revision sheet		F		1~2									