

POWR-GARD® Blocks & Holders

LF SERIES CLASS T FUSE BLOCKS

300 V • 600 V



Specifications

Voltage Ratings	300 V/600 V
Ampere Ratings	0–600 A
Withstand Rating	200 kA RMS SYM
Materials:	
Base	Thermoplastic/Laminate
Fuse Clip	Tin plated copper alloy
Box Lug	Aluminum
Fuse Studs	Zinc plated steel
Pressure Plate Terminal	Zinc plated steel
Screw Terminal	Zinc plated steel
Flammability Rating	UL 94 V-0
Approvals	UL Listed (File: E14721) CSA Certified (File: LR7316) RoHS Compliant, Lead (Pb) Free
Environmental	

Description

The Littelfuse Class T fuse blocks offer many advantages such as space saving design, mounting flexibility for easier installation, snap-to-release DIN rail mounts and available covers.

Features/Benefits

- Space-saving design
- Accommodates a wide range of existing mounting configurations
- One hand release from DIN rail for 30–60 A fuses
- Reinforced fuse clips are standard
- Covers available for most amperages to enhance safety
- Both hex and slot set screw options available on 60 A box lugs

Recommended Fuses

300 V JLLN
600 V JLLS

Web Resources

Sample requests, downloadable CAD drawings and other technical information:

Littelfuse.com/lft
Littelfuse.com/fuseblocks

Ordering Information (Class T 300 V)

AMPERE RATING	POLES	ORDERING NUMBER	TERMINATION TYPE	FUSE TORQUE	WIRE TORQUE	WIRE RANGE	WIRE TYPE	BASE TEMP RATING	DINRAIL MOUNT	COVER ORDERING NUMBER*		
30	1	LFT300301C	BOX LUG	-	5.6 N-m (50 in-lbs)	2–4 AWG	CU-AL Solid/Stranded	125 °C	•	LFT30030FBC		
	2	LFT300302C	(SCREWDRIVER SLOT)		2.8 N-m (25 in-lbs)	6–14 AWG						
	3	LFT300303C										
60	1	LFT300601C	BOX LUG	-	5.6 N-m (50 in-lbs)	2–4 AWG		125 °C	•	LFT30060FBC		
	2	LFT300602C	(SCREWDRIVER SLOT)		2.8 N-m (25 in-lbs)	6–14 AWG						
	3	LFT300603C										
	1	LFT300601C-HX	BOX LUG		-	5.6 N-m (50 in-lbs)		2–4 AWG	125 °C		•	LFT30060FBC
	2	LFT300602C-HX	(3/16" HEX)			2.8 N-m (25 in-lbs)		6–14 AWG				
	3	LFT300603C-HX										
100	1	LFT301001CS	BOX LUG	7.9 N-m (70 IN-LB)	13.6 N-m (120 in-lbs)	2/0-6 AWG		130 °C	—	LFT30100FBC		
	3	LFT301003CS	(3/16" HEX)		4.5 N-m (40 in-lbs)	8 AWG						
					4.0 N-m (35 in-lbs)	10–14 AWG						
200	1	LFT302001CS	BOX LUG	13.6 N-m (120 IN-LB)	31.1 N-m (275 in-lbs)	250 kcmil-6	130 °C	—	—			
400	1	LFT304001CS	BOX LUG	19.2 N-m (170 IN-LB)	(2) 31.1 N-m (275 in-lbs)	250 kcmil-6	130 °C	—	—			
	3	LFT304003CS	(5/16" HEX)									
600	1	LFT306001CS	BOX LUG	19.2 N-m (170 IN-LB)	(2) 42.4 N-m (375 in-lbs)	500 kcmil-6	130 °C	—	—			
	3	LFT306003CS	(3/8" HEX)									

* Covers sold individually. One cover needed for each pole.

POWR-GARD® Blocks & Holders

LF SERIES CLASS T FUSE BLOCKS

Ordering Information (Class T 600 V)

AMPERE RATING	POLES	ORDERING NUMBER	TERMINATION TYPE	FUSE TORQUE	WIRE TORQUE	WIRE RANGE	WIRE TYPE	BASE TEMP RATING	DINRAIL MOUNT	COVER ORDERING NUMBER*		
30	1	LFT600301C	BOX LUG (SCREWDRIVER SLOT)	-	5.6 N-m (50 in-lbs)	2-4 AWG	CU-AL	125 °C	•	LFT60030FBC		
	2	LFT600302C			2.8 N-m (25 in-lbs)	6-14 AWG						
	3	LFT600303C										
	1	LFT600301P	PRESSURE PLATE	-	2.8 N-m (25 in-lbs)	10-14 AWG	CU ONLY	125 °C	•			
	2	LFT600302P										
	3	LFT600303P										
	1	LFT600301S	SCREW	-	2.8 N-m (25 in-lbs)	10-22 AWG	CU ONLY	125 °C	•			
	2	LFT600302S										
	3	LFT600303S										
60	1	LFT600601C	BOX LUG (SCREWDRIVER SLOT)	-	5.6 N-m (50 in-lbs)	2-4 AWG	CU-AL	Solid/Stranded	125 °C	•		
	2	LFT600602C			2.8 N-m (25 in-lbs)	6-14 AWG						
	3	LFT600603C										
	1	LFT600601C-HX	BOX LUG (3/16" HEX)	-	5.6 N-m (50 in-lbs)	2-4 AWG					125 °C	•
	2	LFT600602C-HX			2.8 N-m (25 in-lbs)	6-14 AWG						
	3	LFT600603C-HX										
100	1	LFT601001CS	BOX LUG (3/16" HEX)	7.9 N-m (70 IN-LB)	13.6 N-m (120 in-lbs)	2/0-6 AWG	CU-AL	130 °C	—	LT60100FBC		
	3	LFT601003CS			4.5 N-m (40 in-lbs)	8 AWG						
					4.0 N-m (35 in-lbs)	10-14 AWG						
200	1	LFT602001CS	BOX LUG (5/16" HEX)	13.6 N-m (120 IN-LB)	31.1 N-m (275 in-lbs)	250 kcmil-6	130 °C	—	LT60200FBC			
	3	LFT602003CS										
400	1	LFT604001CS	BOX LUG (5/16" HEX)	19.2 N-m (170 IN-LB)	(2) 31.1 N-m (275 in-lbs)	250 kcmil-6	130 °C	—	LT60400FBC			
	3	LFT604003CS										
600	1	LFT606001CS	BOX LUG (3/8" HEX)	19.2 N-m (170 IN-LB)	(2) 42.4 N-m (375 in-lbs)	500 kcmil-6	130 °C	—	LT60600FBC			
	3	LFT606003CS										

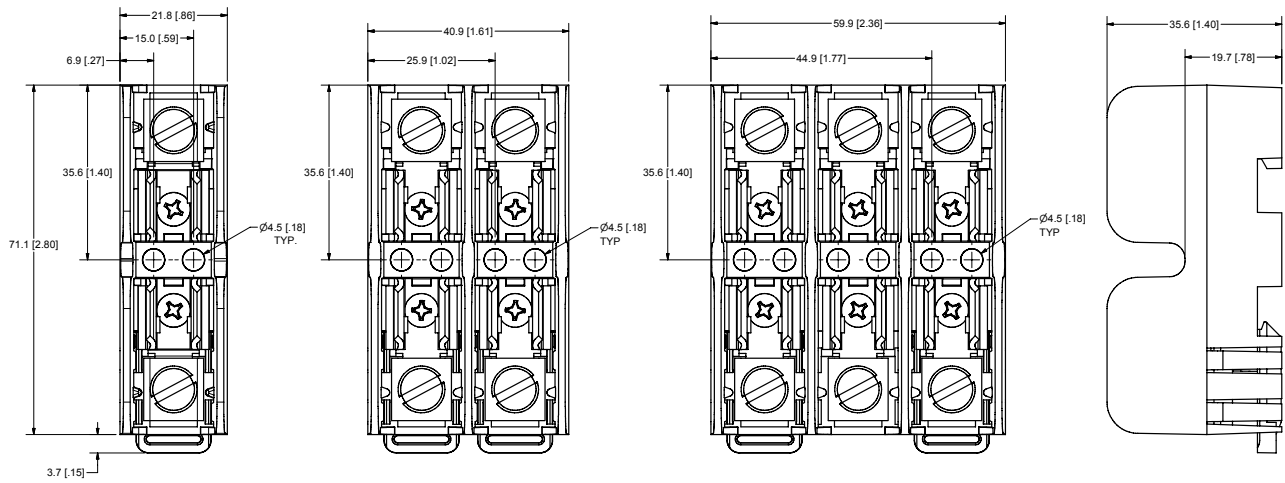
* Covers sold individually. One cover needed for each pole.

POWR-GARD® Blocks & Holders

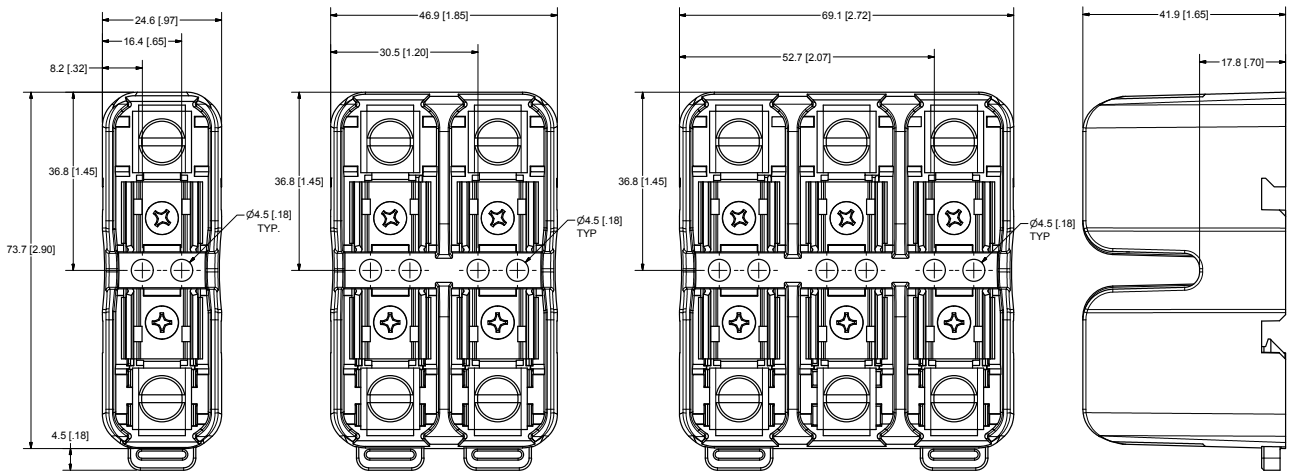
LF SERIES CLASS T FUSE BLOCKS

Dimensions mm (inches)

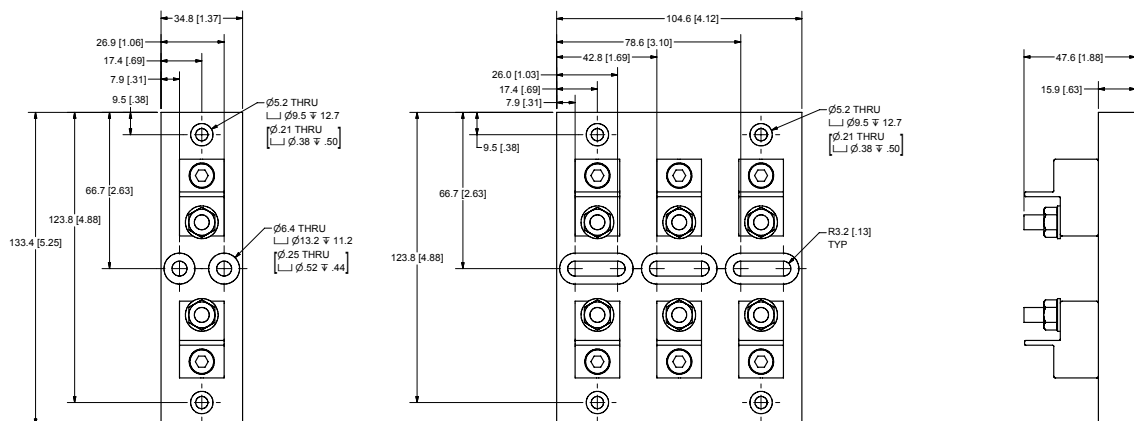
300 V 30 A



300 V 60 A



300 V 100 A

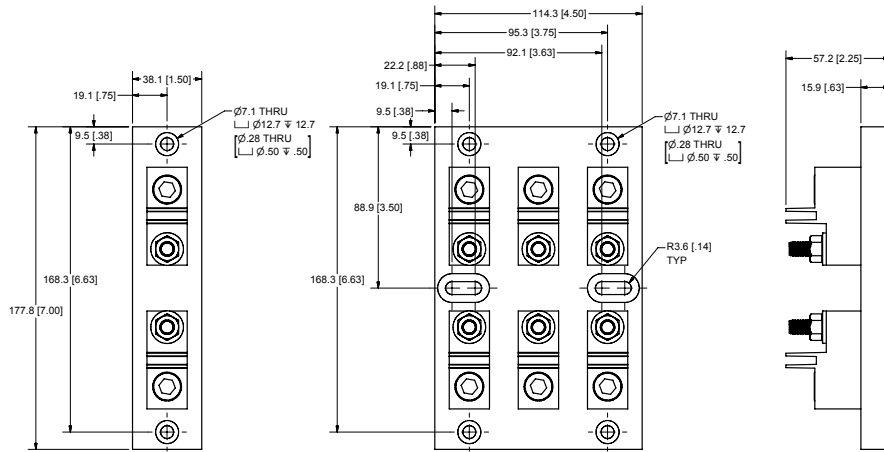


POWR-GARD® Blocks & Holders

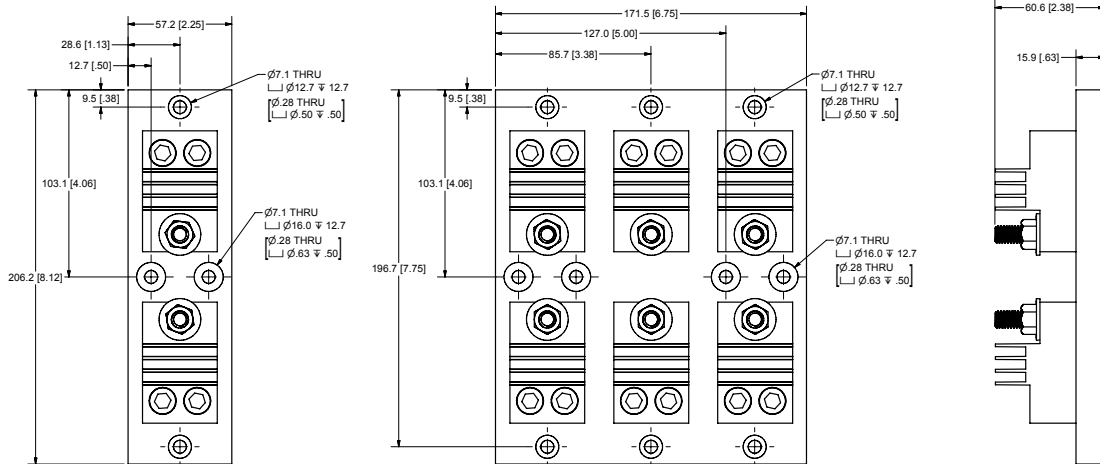
LF SERIES CLASS T FUSE BLOCKS

Dimensions mm (inches)

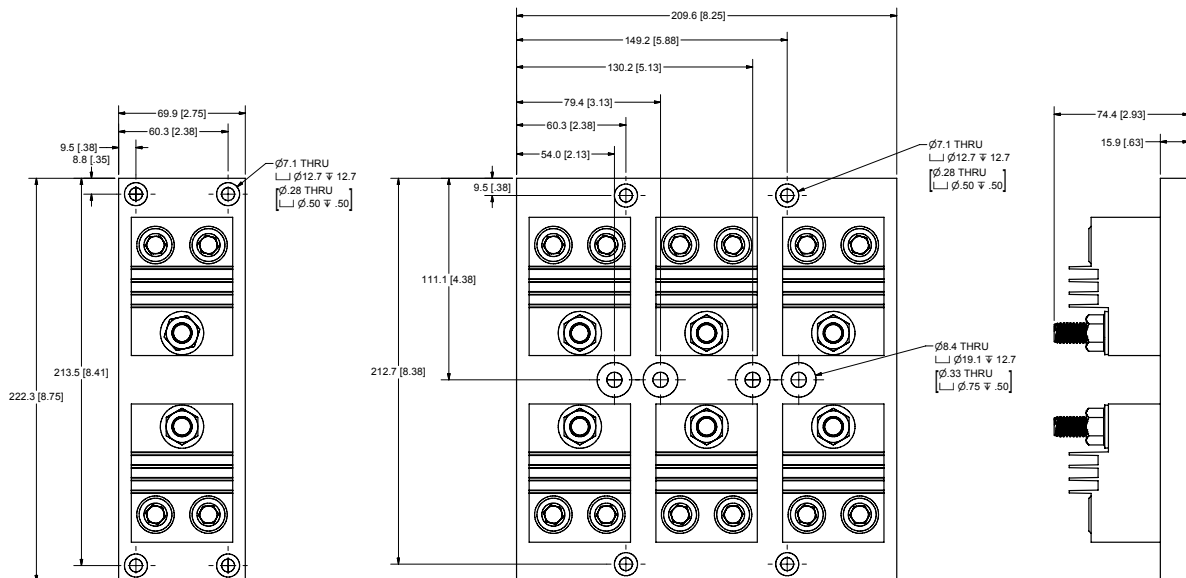
300 V 200 A



300 V 400 A



300 V 600 A

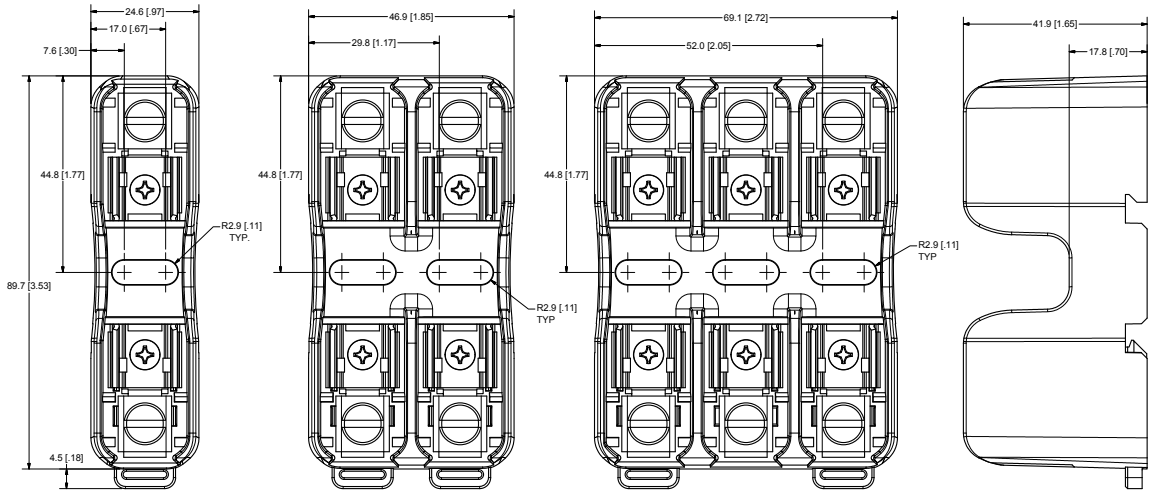


POWR-GARD® Blocks & Holders

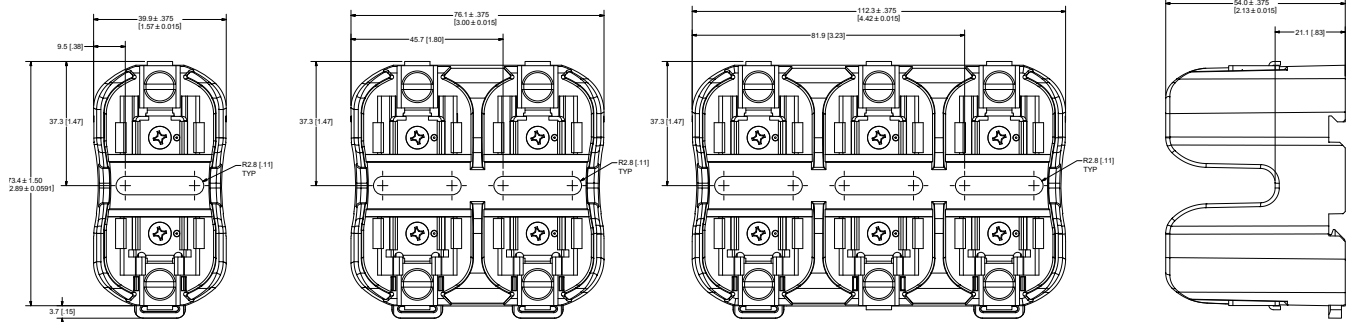
LF SERIES CLASS T FUSE BLOCKS

Dimensions mm (inches)

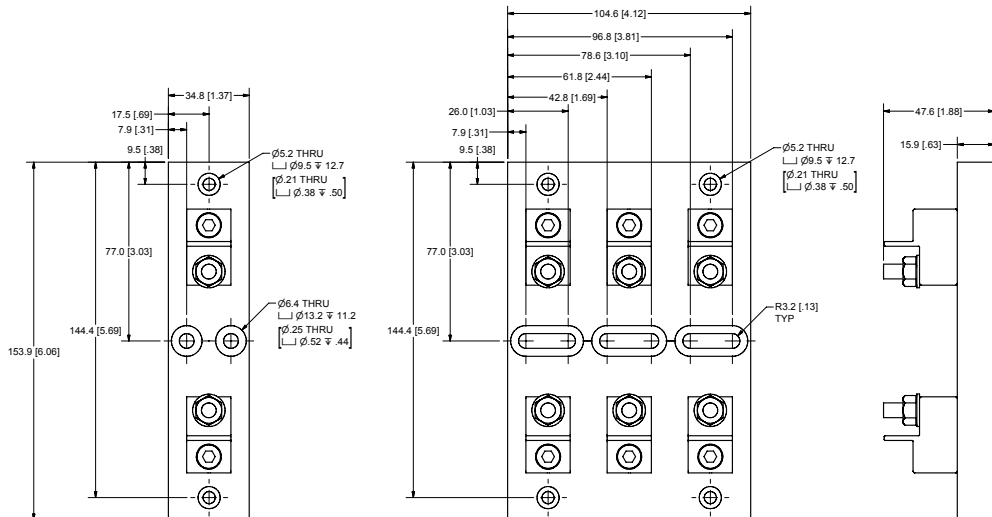
600 V 30 A



600 V 60 A



600 V 100 A

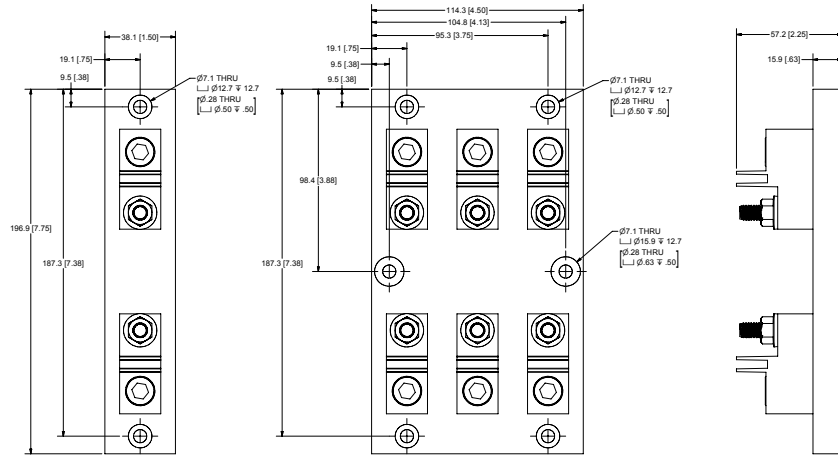


POWR-GARD® Blocks & Holders

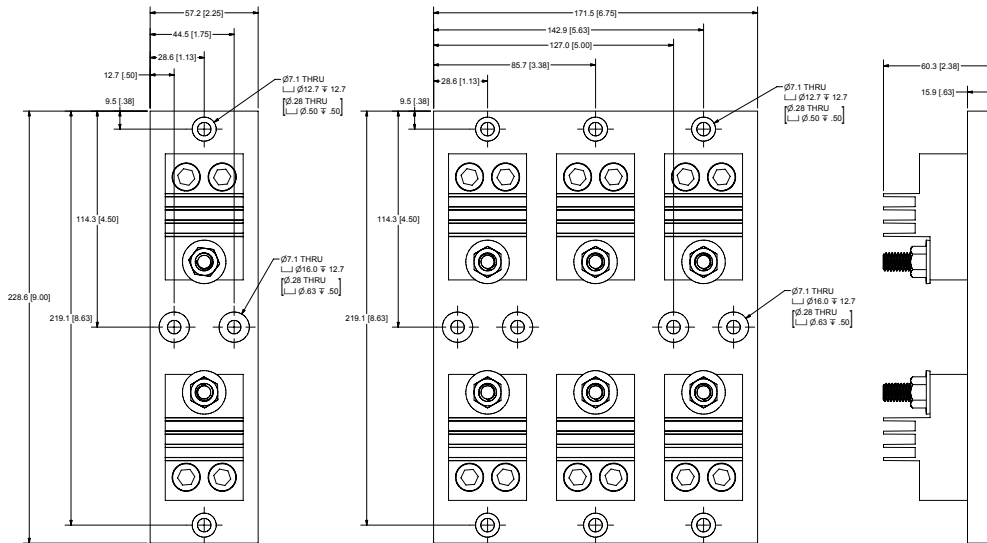
LF SERIES CLASS T FUSE BLOCKS

Dimensions mm (inches)

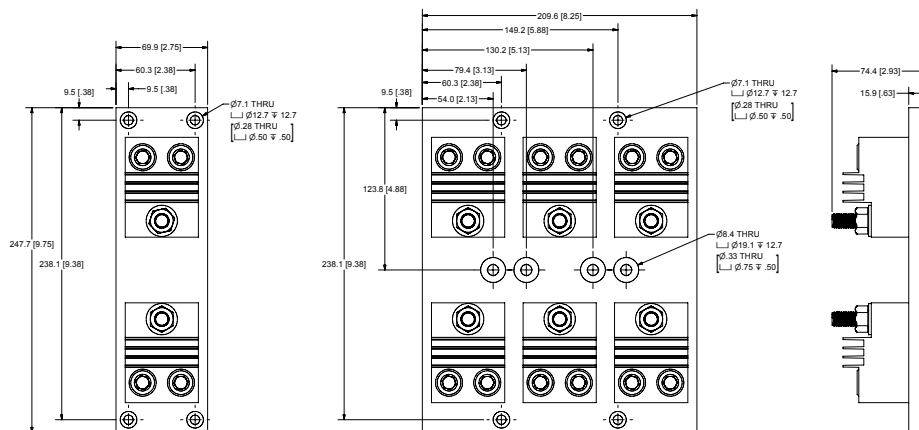
600 V 200 A



600 V 400 A



600 V 600 A



For additional product information, contact Littelfuse Technical Support at 1-800-TEC-FUSE or techline@littelfuse.com.

Disclaimer Notice - Information furnished is believed to be accurate and reliable. However, users should independently evaluate the suitability of and test each product selected for their own applications. Littelfuse products are not designed for, and may not be used in, all applications. **Read complete Disclaimer Notice at www.littelfuse.com/product-disclaimer.**