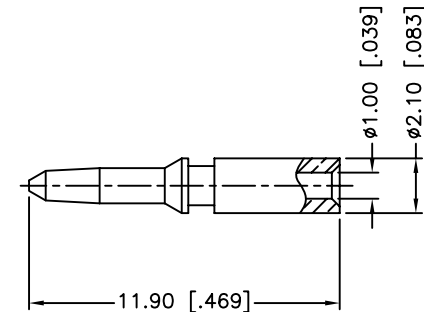
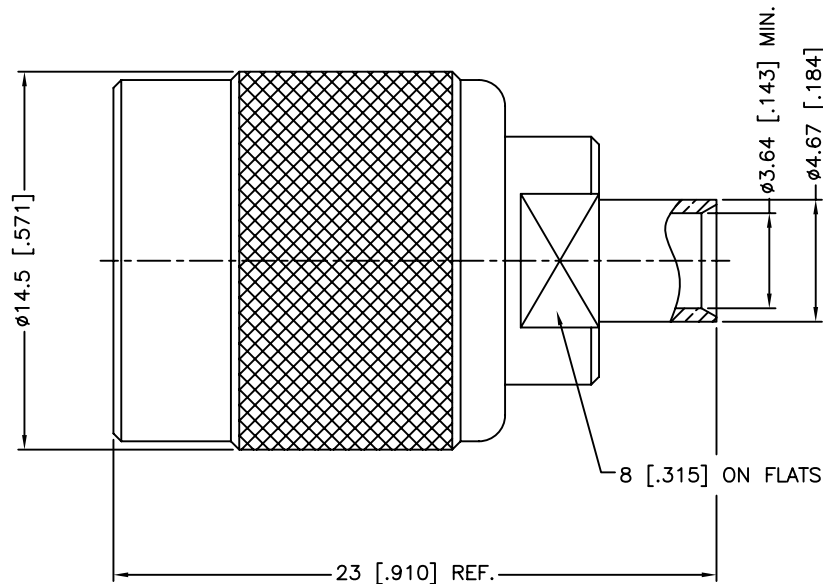


RECOMMENDED
CABLE STRIPPING DIM'S

REV.	DATE	ECR NO.	DESCRIPTION
NC	11/14/00	XXXXXX	INITIAL RELEASE
A	11/08/04	XXXXXX	ADD COUPLING NUT/CHANGE PLATING TO NICKEL
B	09/16/13	2526	CHANGE CENTER CONTACT TO SOLDER, ADD ELECTRICAL/MECHANICAL NOTES, UPDATE FORMAT



1. IMPEDANCE: 50 OHM
2. FREQUENCY RANGE: DC 0-11 GHZ
3. VSWR: 1.3 MAX.
4. DIELECTRIC WITHSTANDING VOLTAGE: 1500 VRMS, MIN.
5. DURABILITY: 500 CYCLES MIN.
6. TEMPERATURE RANGE: -40°C TO +85°C
7. CONTACT PIN TO SOLDER

QTY	DESCRIPTION	MATERIAL	FINISH
1	CONTACT PIN	BRASS	GOLD
1	WASHER	BRASS	NICKEL
1	RING	DELTRIN	NATURAL
1	RETAINER RING	BRASS	NICKEL
1	GASKET	RUBBER	RED
1	INSULATOR	PTFE	NATURAL
1	BODY	BRASS	GOLD
1	SHELL	BRASS	NICKEL

UNLESS OTHERWISE SPECIFIED DIMENSIONS ARE IN MILLIMETERS. DIMENSIONS IN [] ARE IN INCHES AND FOR CUSTOMER REFERENCE ONLY.
UNLESS OTHERWISE SPECIFIED
TOLERANCES FOR MILLIMETERS ARE:
 <0.5 ± 0.05mm
 0.5 - 6mm ± 0.10mm
 6 - 30mm ± 0.20mm
 30 - 120mm ± 0.30mm
 ANGLES ± 1°
 UNLESS OTHERWISE SPECIFIED
 TOLERANCES FOR INCHES ARE:
 <.020 ± 0.002"
 .020 - .236 = ± 0.004"
 .236 - 1.180 = ± 0.007"
 1.180 - 4.724 = ± 0.012"
 ANGLES ± 1°
 DO NOT SCALE DRAWING

APPROVALS	DATE
DRAWN M.ZHANG	09/16/13
CHECKED	
ISSUED	
SHEET 1 OF 1	
CAD FILE	C:/CONNEX/122386.DWG

Amphenol Connex

PART DESCRIPTION
**TNC DIRECT SOLDER PLUG
(FOR .141" SEMI-RIGID CABLE)**

PART NO.
122386

DWG. NO. 122386.DWG	REV. B	SIZE A	SCALE NA
---------------------	--------	--------	----------

Mouser Electronics

Authorized Distributor

Click to View Pricing, Inventory, Delivery & Lifecycle Information:

[Amphenol:](#)

[122386](#)