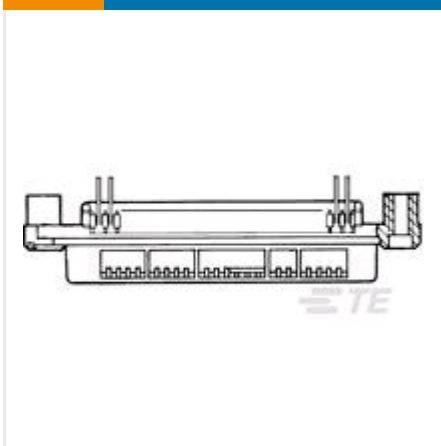




CONNECTORS

PCB D-SUB CONNECTORS



✓ Active

TE CONNECTIVITY (TE)

ASSY, RCPT, 50 POS, VERT MTG

CHAMP | PCB CHAMP Products

5552118-1

TE Internal Number: 5552118-1

Alias ID: 2-30092-0090, AMP-0-5552118-1, CY0593-000

EU RoHS Compliant

EU ELV Compliant

Connector Style Receptacle

Number of Positions 50

Centerline (Pitch) 2.16 mm [.085 in]

Number of Rows 2

Row-to-Row Spacing .085

[↓ PRODUCT DRAWING](#)
English

[↓ 3D PDF](#)

DOCUMENTATION

Product Drawings

RECEPTACLE ASSEMBLY, 50 POSN, VERTICAL MTG, CHAMP-LOK

PDF (TIFF AVAILABLE)

English

CAD Files

Customer View Model

2D_DXF.ZIP

English

3D PDF

PDF

3D

Customer View Model

3D_IGS.ZIP

English

Customer View Model

3D_STP.ZIP

English

Product Environmental Compliance

TE Material Declaration

MD_5552118-1_070620142210_dmtec

PDF

English

FEATURES



Please review product documents or [contact us](#) for the latest agency approval information.

Please Note: Use the Product Drawing for all design activity.

Product Type Features

Connector Style Receptacle

Row-to-Row Spacing .085

Profile Standard

PCB Mounting Orientation Vertical

Connector & Contact Terminates To Printed Circuit Board

Orientation Standard

Product Type Connector

PC Board Material Glass-Filled Polyester

Grounded No

Shielded No

Configuration Features

Number of Positions 50

Number of Rows 2

Preloaded Yes

Body Features

Plating Material Thermoplastic

Color Black

Bracket Material Thermoplastic

Contact Features

Solder Tail Contact Plating Material Tin

Contact Mating Area Plating Thickness (µin) 30

Contact Base Material Phosphor Bronze

Contact Mating Area Plating Material Gold or Gold Flash over Palladium Nickel, Gold

Termination Features

Termination Post Length (in) .18

Mechanical Attachment

Panel Mount Retention Without

PCB Mounting Style Edge Mount

PCB Mount Retention Without

Mating Connector Lock With

Mating Connector Lock Type Bail Lock, Screwlocks

Housing Features

Centerline (Pitch) 2.16 mm [.085 in]

Housing Color Black

Housing Material Polyester

Dimensions

PCB Thickness (Recommended) (mm) 1.57, 2.36, 3.18

PCB Thickness (Recommended) (in) .062, .093, .125

Industry Standards

UL Flammability Rating UL 94V-0

Packaging Features

Packaging Quantity 60

Packaging Method Tray

Other

Comb Material Thermoplastic

PRODUCT COMPLIANCE



Statement of Compliance

Statement of Compliance

PDF
