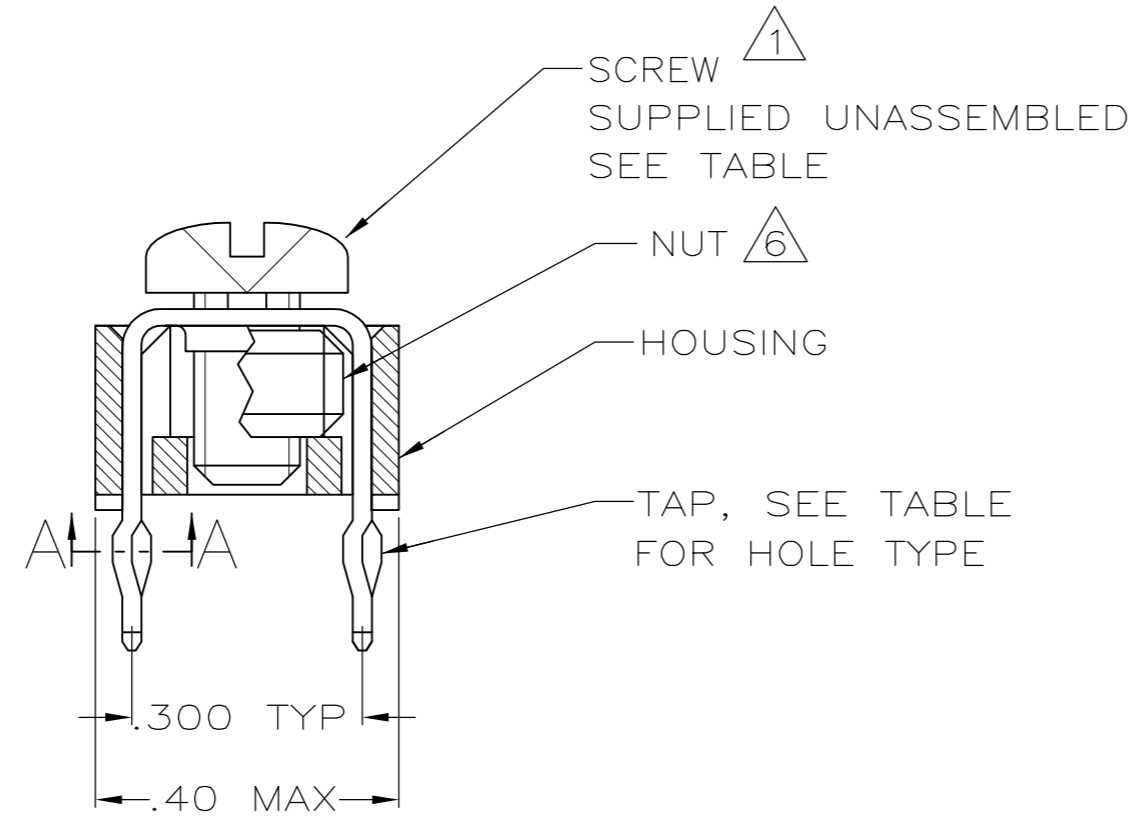
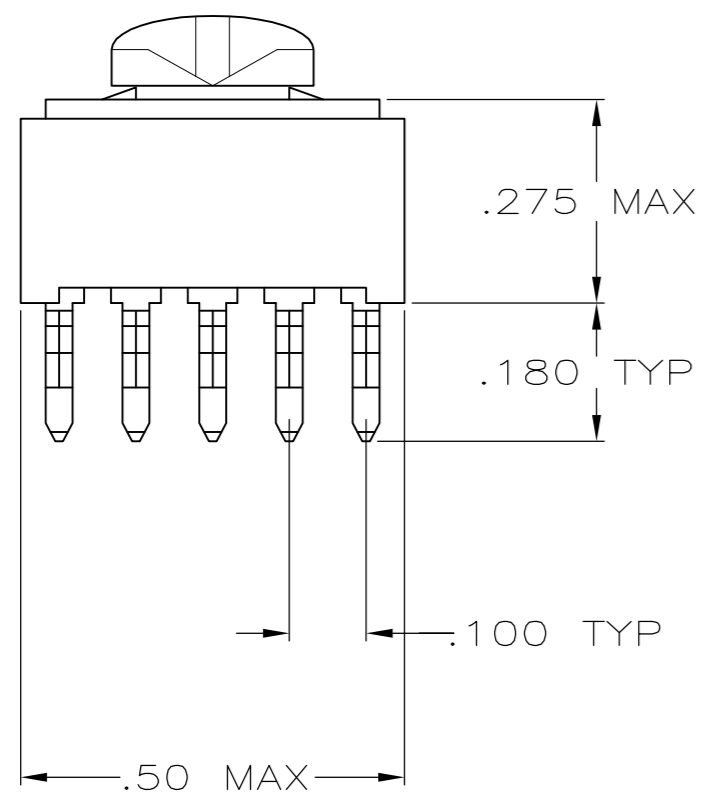


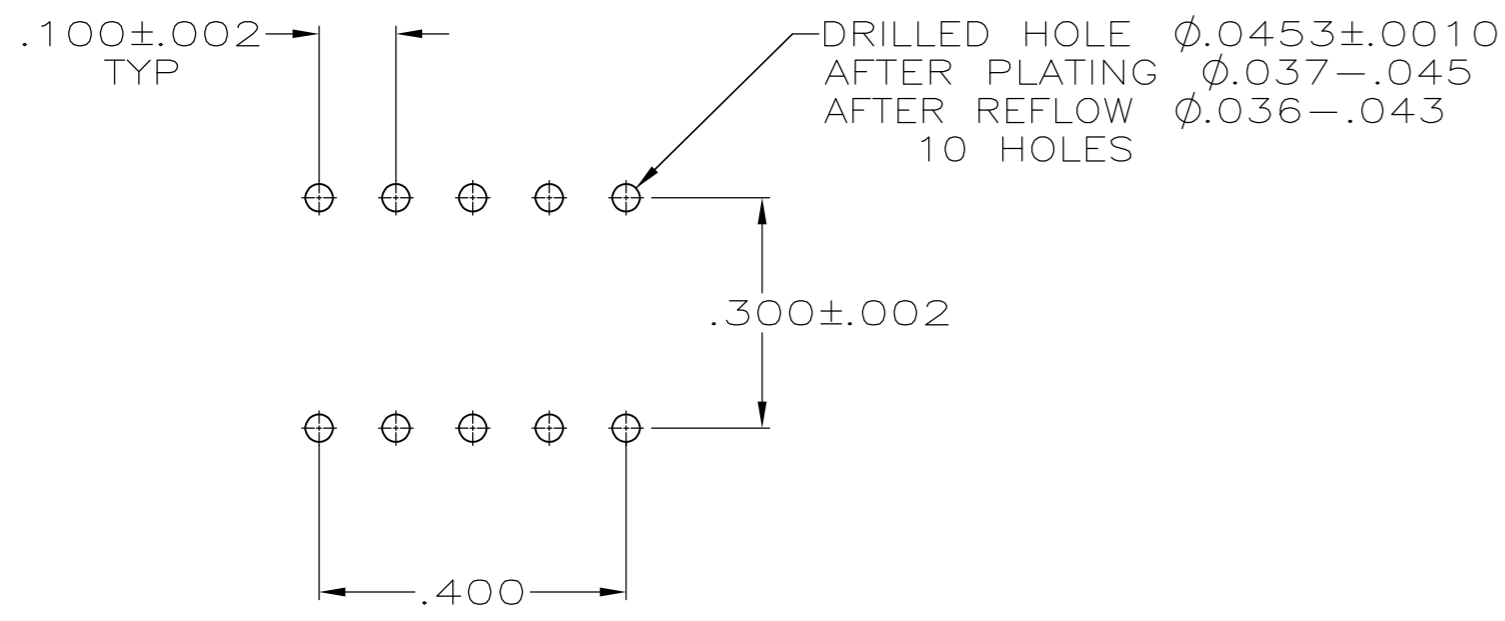
THIS DRAWING IS UNPUBLISHED. RELEASED FOR PUBLICATION
 © COPYRIGHT - By - ALL RIGHTS RESERVED.

LOC	DIST	REVISIONS					
GP	00	P	LTR	DESCRIPTION	DATE	DWN	APVD
		S2		REVISED PER ECR-17-006536	14SEP2017	RS	SZ

.050±.005 DIA
 SECTION A-A
 SCALE 10:1
 10 PLACES



- 1 TO PREVENT THREAD STRIPPING, SCREW TORQUE SHOULD NOT EXCEED 9 IN LBS.
- 2 TAP HOLE IS 6-32UNC-2B, TWO MIN THREADS.
- 3 TAP HOLE IS M4 X 0.7, TWO MIN THREADS.
- 4 PACKAGED BULK.
- 5 PACKAGED INDIVIDUALLY.
- 6 NUT INCREASES TORQUE VALUE TO 26 IN LBS.
- 7 HOUSING: NYLON UL 94V-0. TAP: COPPER ALLOY 735, .025 THICK.
- 8 TAP: .000150 TIN-LEAD OVER .000050 NICKEL.
- 9 CLEARANCE HOLE FOR A 6-32 SCREW.
- 10 TAP: .000150 TIN OVER .000050 NICKEL.



PC BOARD PATTERN

	4	10	2	BLACK	YES	993879-1	9-55556-0
OBSOLETE	4	8	9	BLACK	6 YES (W/NUT)	NO	1-55556-3
OBSOLETE	4	8	9	BLACK	6 YES (W/NUT)	993879-1	1-55556-2
OBSOLETE	5	8	2	BLACK	YES	993879-1	1-55556-1
SUPSD BY -9	-	8	3	BLACK	YES	NO	1-55556-0
OBSOLETE	4	8	3	BLACK	YES	M4 X 0.7 X 6MM	55556-9
SUPSD BY -4	-	8	2	WHITE	YES	993879-1	55556-8
SUPSD BY -4	-	8	2	GREEN	YES	993879-1	55556-7
SUPSD BY -4	-	8	2	BLUE	YES	993879-1	55556-6
SUPSD BY -4	-	8	2	RED	YES	993879-1	55556-5
	4	8	2	BLACK	YES	993879-1	55556-4
	4	8	2	BLACK	YES	NO	55556-3
OBSOLETE	-	8	2	BLACK	NO	993879-1	55556-2
	-	8	2	BLACK	NO	NO	55556-1
PACKAGE	FINISH	HOLE TYPE	HOUSING COLOR	HOUSING AND TAP ASSEMBLED	SCREW	PART NO.	

THIS DRAWING IS A CONTROLLED DOCUMENT.

DIMENSIONS: INCHES	TOLERANCES UNLESS OTHERWISE SPECIFIED:	DWN J.McCLINTON 1-11-88	TE Connectivity		
	0 PLC ± -	CHK R.STONE 1-11-88			
	1 PLC ± -	APVD M.GALLOWAY 1-11-88			
	2 PLC ± -	NAME			
	3 PLC ± .010	PRODUCT SPEC 108-11030			
4 PLC ± -	APPLICATION SPEC 114-1100	SIZE A2	CAGE CODE 00779	DRAWING NO C=55556	RESTRICTED TO
ANGLES ± -	FINISH	WEIGHT	SCALE 4:1	SHEET 1 of 1	REV S2
MATERIAL 7		CUSTOMER DRAWING			