

P	LTR	DESCRIPTION	DATE	DWN	APVD
	2	REVISED PER ECN-23-220122	07JUL2023	AP	JM

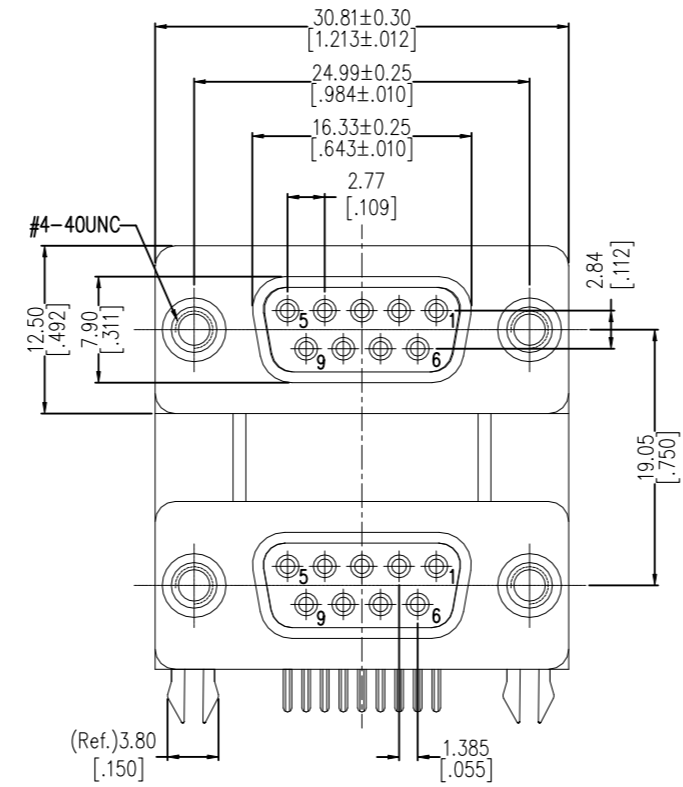
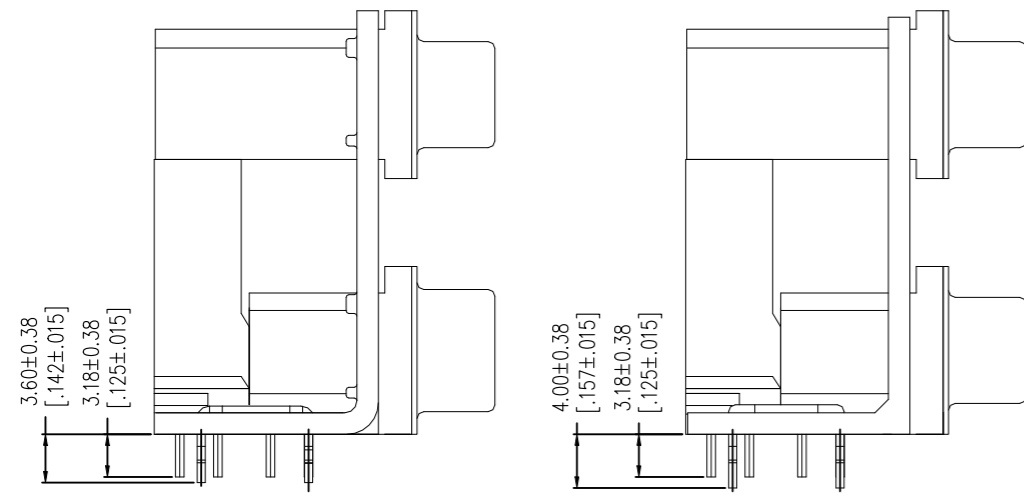
NOTES: AS SHOWN 2454917-1

- Current Rating: 3.0A
- Contact Resistance: 30mΩ Max
- Withstand Voltage: 500V AC
- Insulation Resistance: 1000MΩ Min
- Operation Temperature: -55°C to 105°C

- Insulator Material: PBT,G.F,UL94V-0
- Contact Material: Copper Alloy
- Contact Plating: Gold Flash on Contact Area
Bright Tin on Solder Area
Nickel underplated overall

- Shell: SPCC,Ni Plated
- Bracket: Zinc Alloy or SPCC,Ni Plated
- Harpoon: SPCC,Tin Plated
- Screw: Copper Alloy,Ni Plated

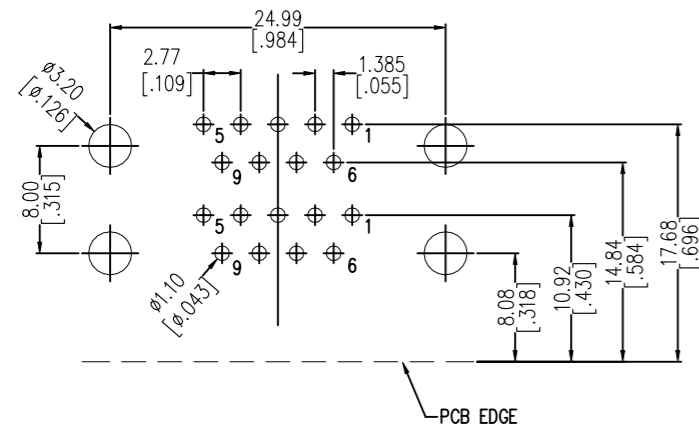
Recommended Process:
Wave soldering,Peak temperature: 260±5°C,5S



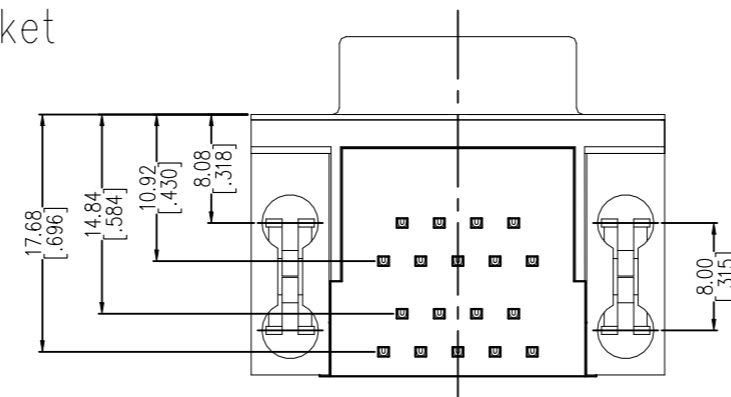
SPCC Alloy Bracket

Zinc Alloy Bracket

Pins	A	B	C	H
25P+25P	53.25 [2.096]	47.04 [1.852]	38.28 [1.507]	4.80 [0.19]
37P+37P	69.60 [2.16]	63.50 [2.50]	54.98 [2.17]	6.00 [0.24]



RECOMMENDED P.C.B LAYOUT
(COMPONENT SIDE)(TOLERANCE:±0.05)

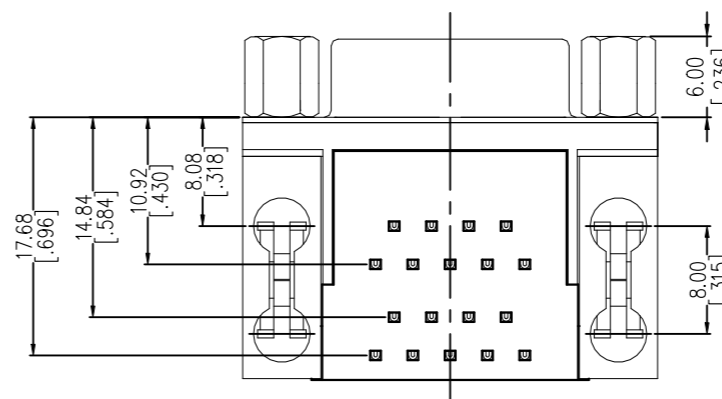
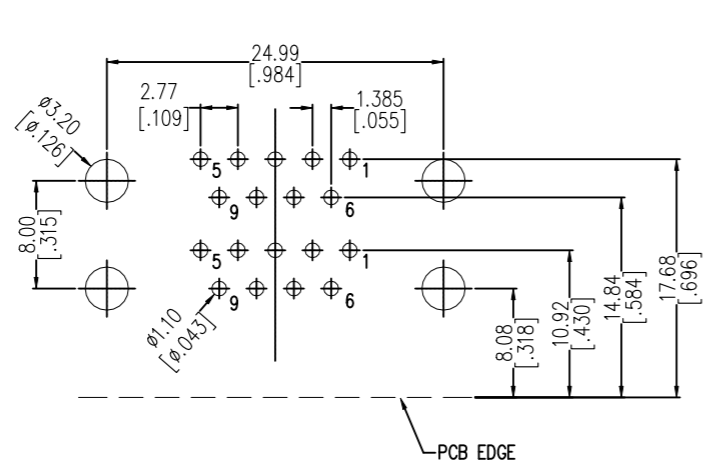
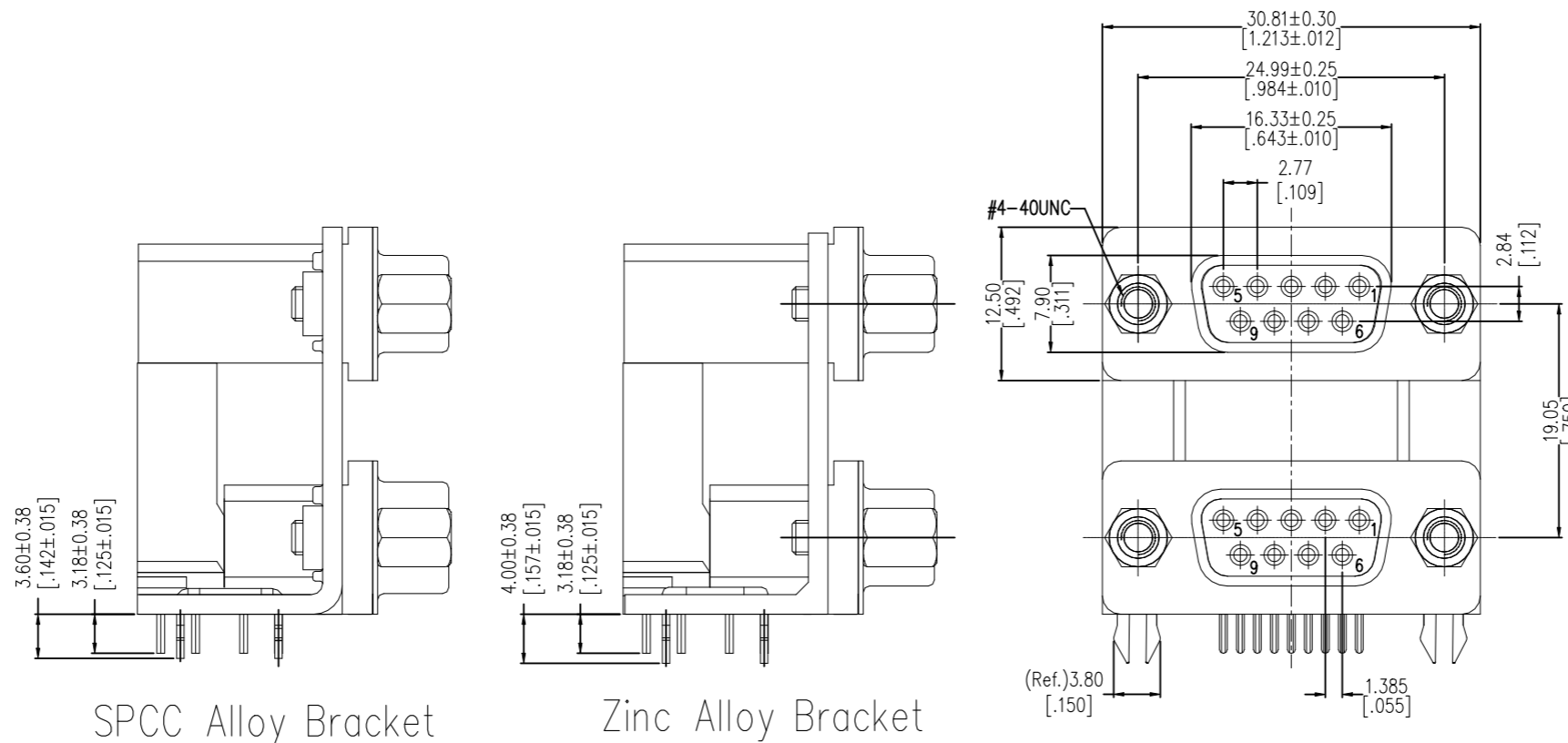



S.No.	Part No.	Pins	Packing	Up Port Type	Down Port Type	Screw
1	2454917-1	9	Tray	Female	Female	H - 4.8
2	2454917-2	9	Tray	Female	Female	H - 6.0
3	2454917-3	9	Tray	Male	Male	H - 4.8
4	2454917-4	9	Tray	Male	Male	H - 6.0
5	2454917-5	15	Tray	Female	Female	H - 4.8
6	2454917-6	15	Tray	Female	Female	H - 6.0
7	2454917-7	25	Tray	Female	Female	H - 4.8
8	2454917-8	25	Tray	Female	Female	H - 6.0
9	2454917-9	37	Tray	Female	Female	H - 6.0

THIS DRAWING IS A CONTROLLED DOCUMENT.		DWN	JM	24MAY2023	TE Connectivity	
DIMENSIONS: mm		CHK	DS	24MAY2023		
TOLERANCES UNLESS OTHERWISE SPECIFIED:		APVD	WH	24MAY2023		
0 PLC ± - 1 PLC ± - 2 PLC ± 0.25 3 PLC ± - 4 PLC ± - ANGLES ± -		PRODUCT SPEC		NAME		
MATERIAL		FINISH		APPLICATION SPEC	DUAL PORT D-SUB CONNECTOR	
-		-		SIZE	CAGE CODE	DRAWING NO
-		-		WEIGHT	-	A3 - C-2454917
CUSTOMER DRAWING				SCALE	1:1	SHEET 1 OF 7
				REV	2	

P	LTR	DESCRIPTION	DATE	DWN	APVD
-	-	SEE SHEET 1	-	-	-

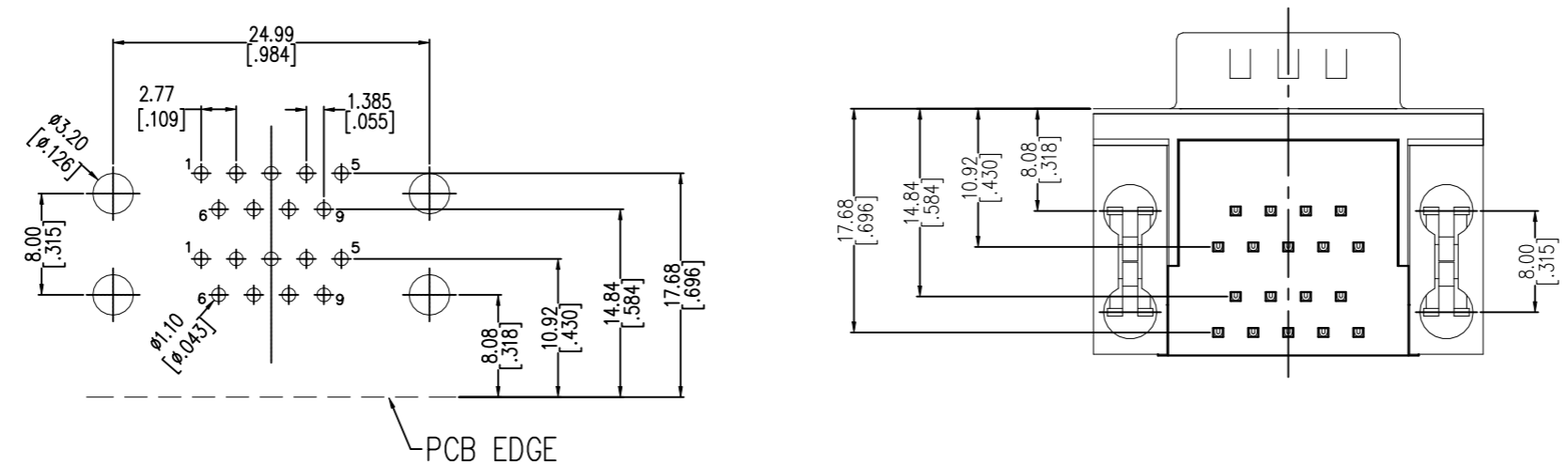
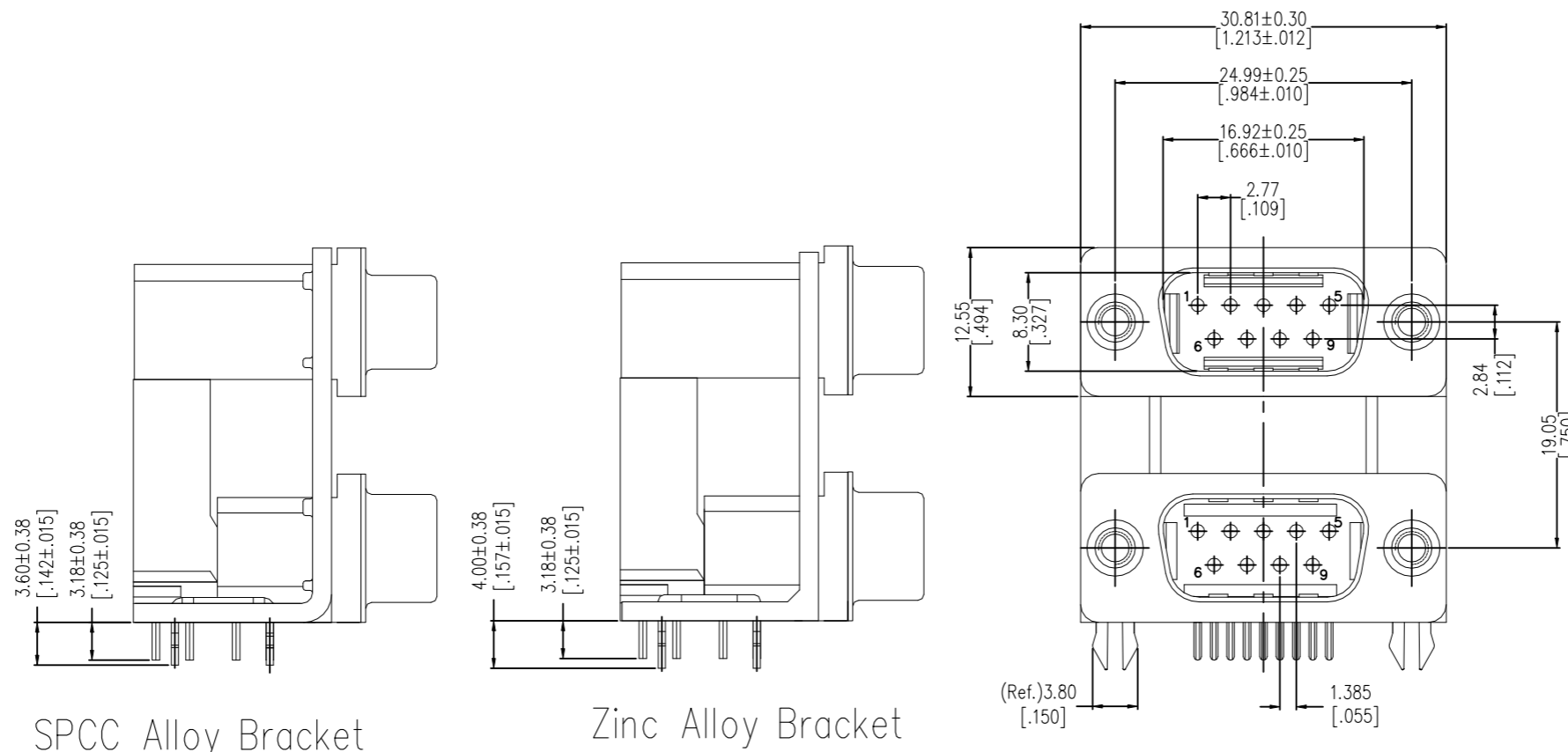
AS SHOWN 2454917-2



THIS DRAWING IS A CONTROLLED DOCUMENT.		DWN JM 24MAY2023	 TE Connectivity				
DIMENSIONS: mm		CHK DS 24MAY2023					
TOLERANCES UNLESS OTHERWISE SPECIFIED:		APVD WH 24MAY2023	NAME				
0 PLC ± - 1 PLC ± - 2 PLC ± 0.25 3 PLC ± - 4 PLC ± - ANGLES ± -		PRODUCT SPEC -	DUAL PORT D-SUB CONNECTOR				
MATERIAL -		FINISH -	APPLICATION SPEC -	SIZE A3	CAGE CODE -	DRAWING NO C-2454917	RESTRICTED TO -
CUSTOMER DRAWING			WEIGHT -	SCALE 1:1	SHEET 2 OF 7	REV 2	

P	LTR	DESCRIPTION	DATE	DWN	APVD
-	-	SEE SHEET 1	-	-	-

AS SHOWN 2454917-3



THIS DRAWING IS A CONTROLLED DOCUMENT.

DIMENSIONS:	TOLERANCES UNLESS OTHERWISE SPECIFIED:
mm	
	0 PLC ± -
	1 PLC ± -
	2 PLC ± 0.25
	3 PLC ± -
	4 PLC ± -
	ANGLES ± -
MATERIAL	FINISH
-	-

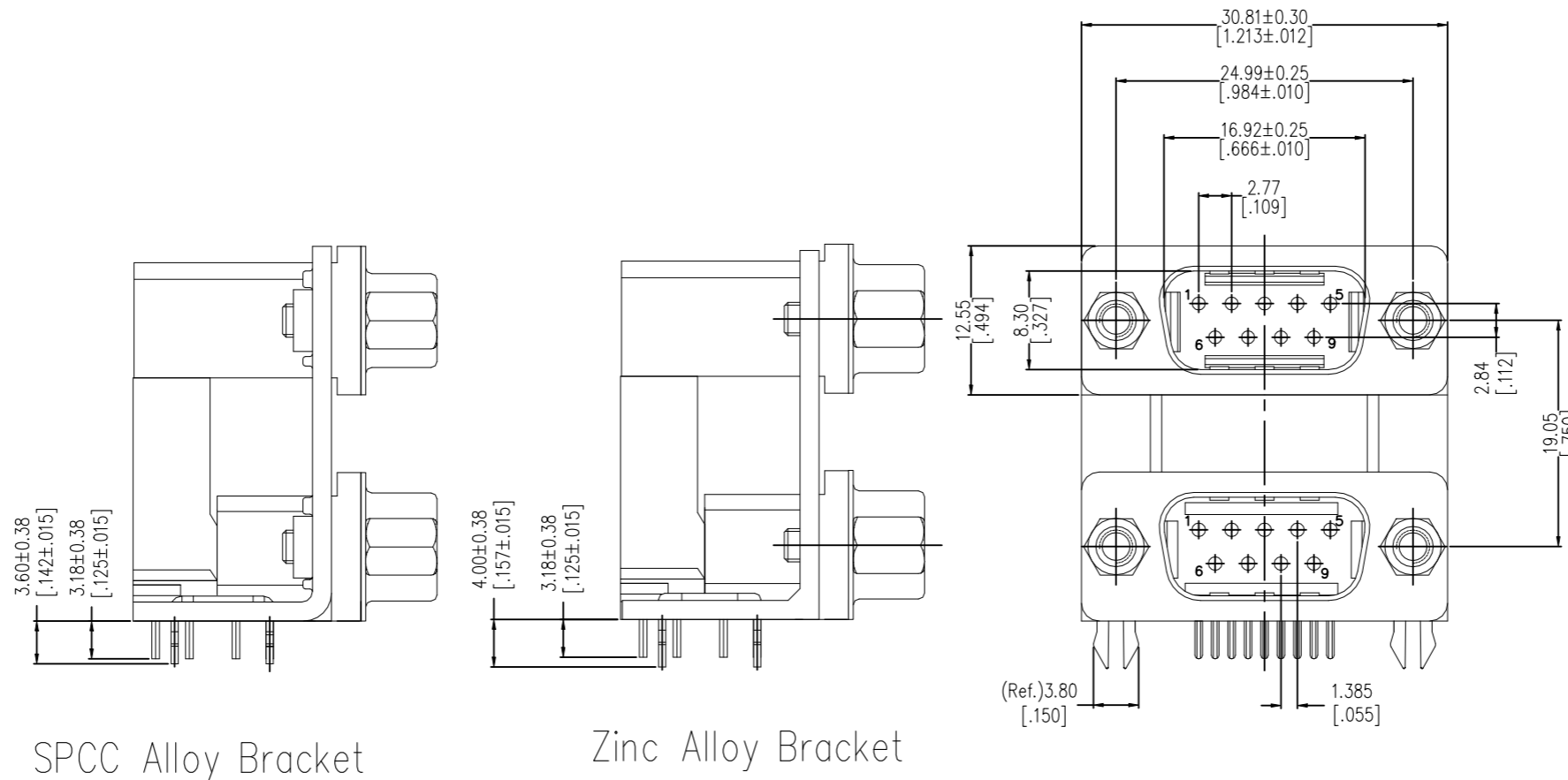
DWN	JM	24MAY2023
CHK	DS	24MAY2023
APVD	WH	24MAY2023
PRODUCT SPEC	-	
APPLICATION SPEC	-	
WEIGHT	0	

		TE Connectivity	
		NAME	
DUAL PORT D-SUB CONNECTOR		SIZE	A3
CAGE CODE		-	
DRAWING NO		C-2454917	
RESTRICTED TO		SCALE	1:1
SHEET		3	OF 7
REV		2	

CUSTOMER DRAWING

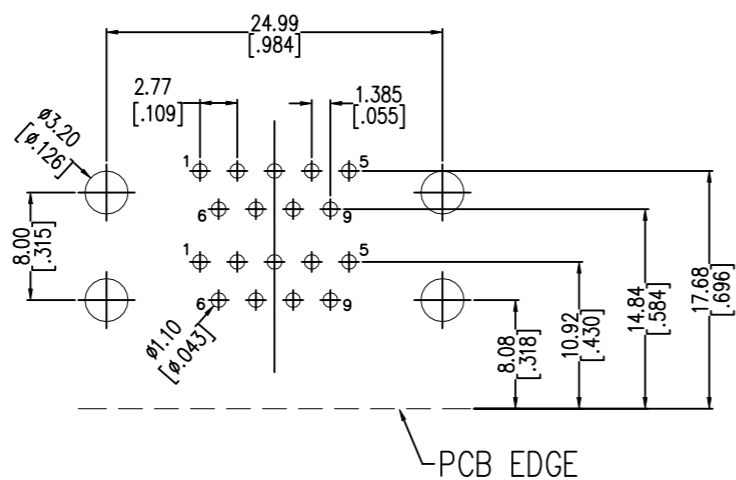
P	LTR	DESCRIPTION	DATE	DWN	APVD
-	-	SEE SHEET 1	-	-	-

AS SHOWN 2454917-4

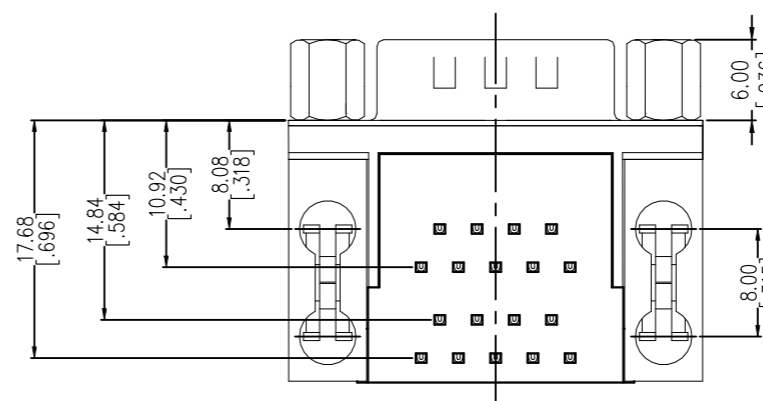


SPCC Alloy Bracket

Zinc Alloy Bracket



PCB EDGE



THIS DRAWING IS A CONTROLLED DOCUMENT.

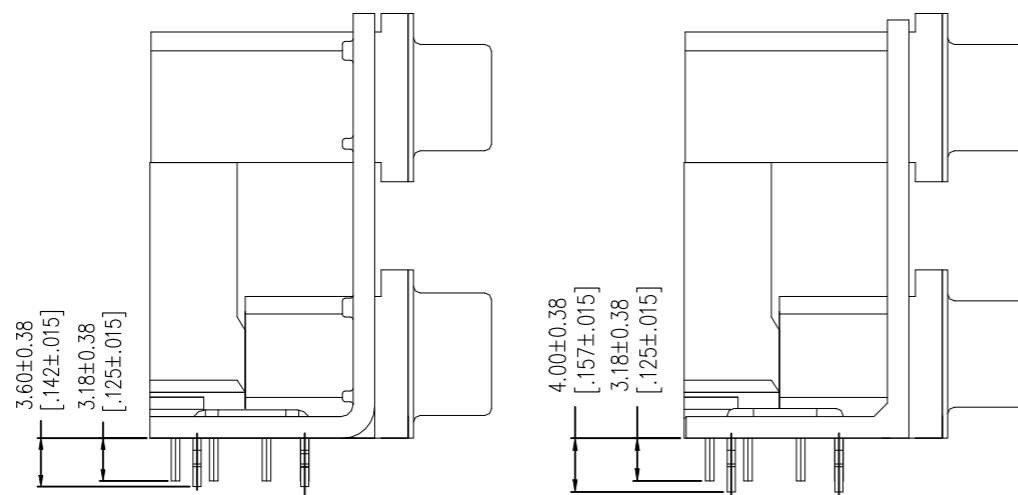
DIMENSIONS:	TOLERANCES UNLESS OTHERWISE SPECIFIED:
mm	
	0 PLC ± -
	1 PLC ± -
	2 PLC ± 0.25
	3 PLC ± -
	4 PLC ± -
	ANGLES ± -
MATERIAL	FINISH
-	-

DWN	JM	24MAY2023
CHK	DS	24MAY2023
APVD	WH	24MAY2023
PRODUCT SPEC	-	
APPLICATION SPEC	-	
WEIGHT	-	
CUSTOMER DRAWING		

		TE Connectivity	
		NAME	
DUAL PORT D-SUB CONNECTOR		SIZE	A3
CAGE CODE	-	DRAWING NO	C-2454917
RESTRICTED TO	-	SCALE	1:1
		SHEET	4 OF 7
		REV	2

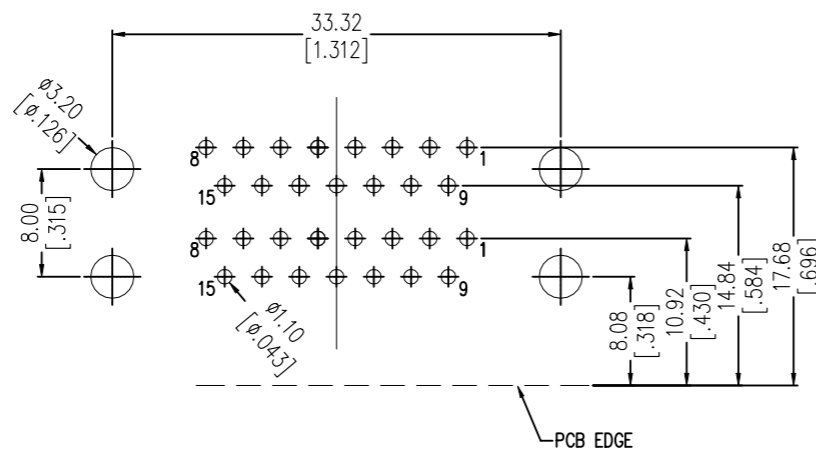
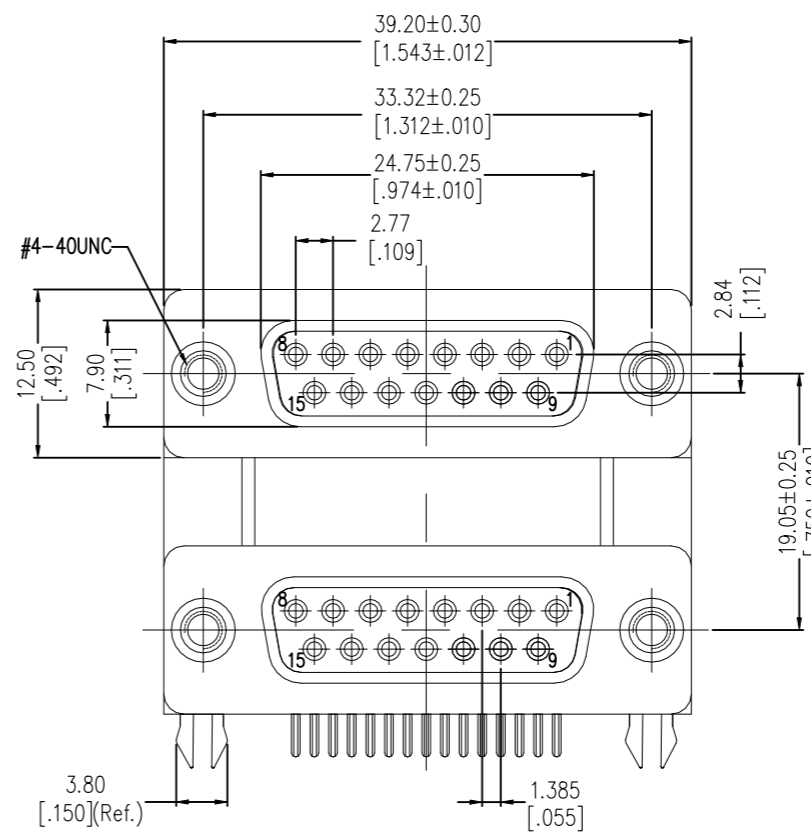
P	LTR	DESCRIPTION	DATE	DWN	APVD
-	-	SEE SHEET 1	-	-	-

AS SHOWN 2454917-5

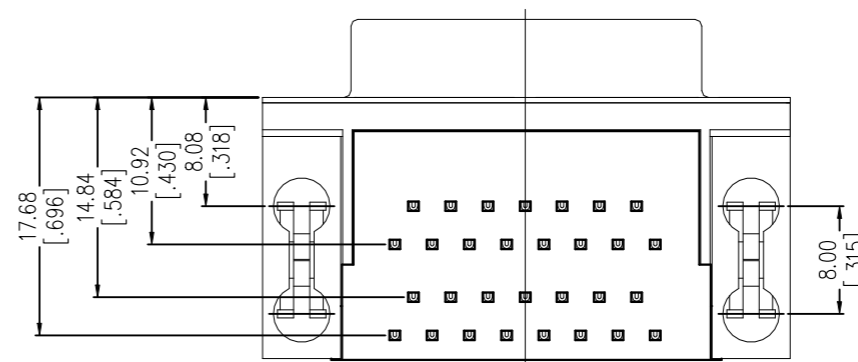



SPCC Alloy Bracket

Zinc Alloy Bracket



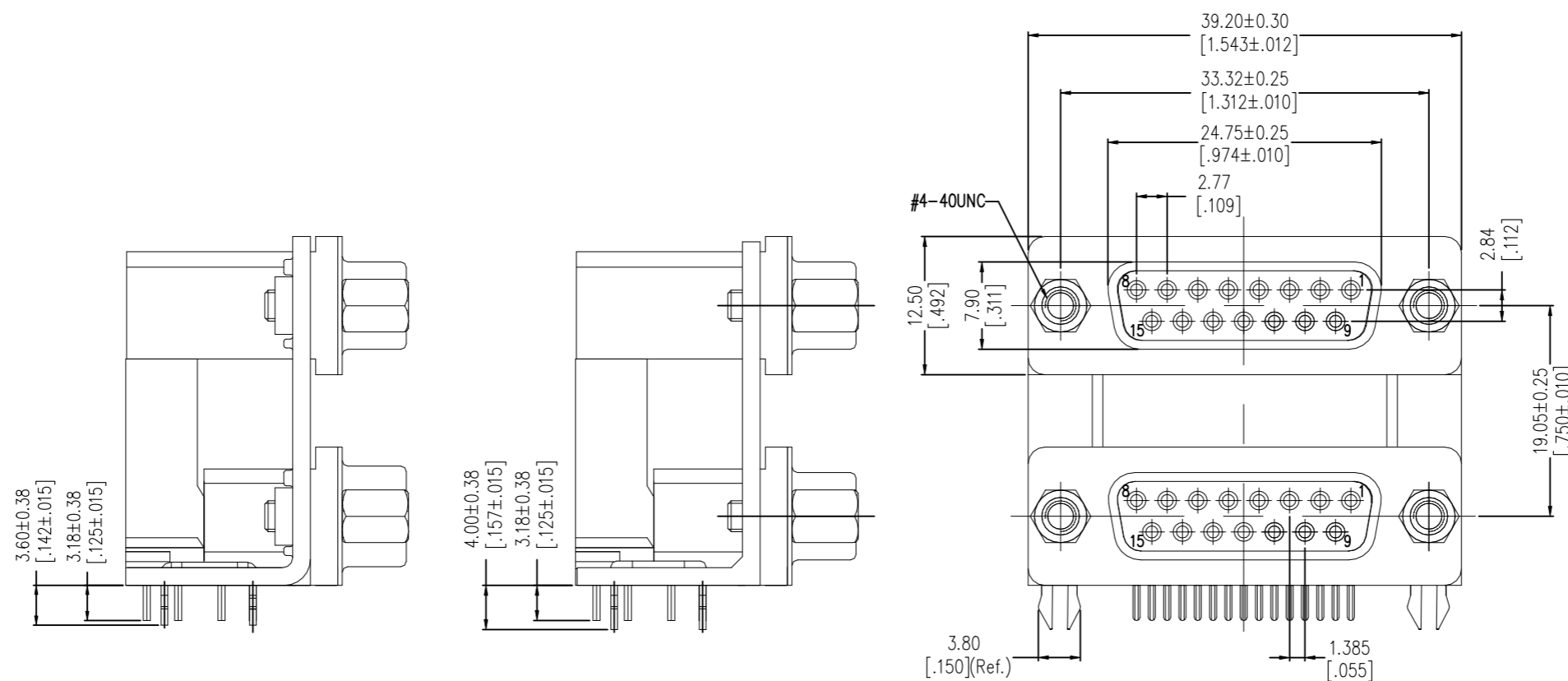
RECOMMENDED P.C.B LAYOUT (COMPONENT SIDE)(TOLERANCE: ±0.05)



THIS DRAWING IS A CONTROLLED DOCUMENT.		DWN JM 24MAY2023	 TE Connectivity		
DIMENSIONS: mm		CHK DS 24MAY2023			
TOLERANCES UNLESS OTHERWISE SPECIFIED:		APVD WH 24MAY2023	DUAL PORT D-SUB CONNECTOR		
0 PLC ± - 1 PLC ± - 2 PLC ± 0.25 3 PLC ± - 4 PLC ± - ANGLES ± -		PRODUCT SPEC -	RESTRICTED TO		
MATERIAL -		APPLICATION SPEC -	SIZE A3	CAGE CODE -	DRAWING NO C-2454917
FINISH -		WEIGHT -	SCALE 1:1		SHEET 5 OF 7
CUSTOMER DRAWING			REV 2		

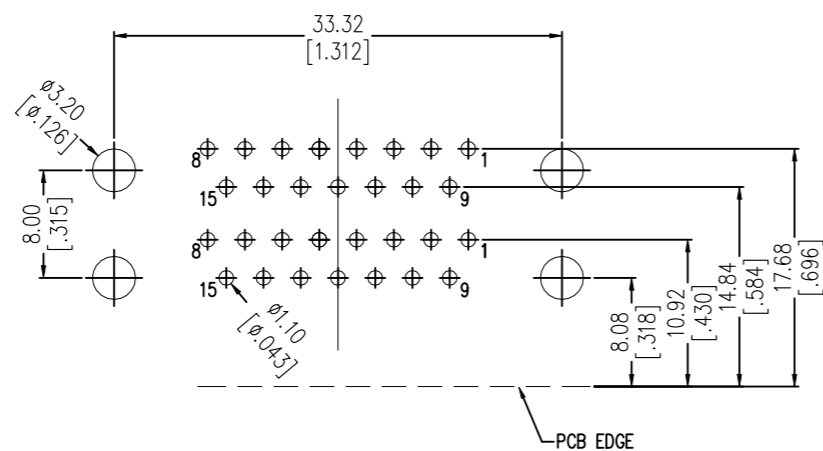
P	LTR	DESCRIPTION	DATE	DWN	APVD
-	-	SEE SHEET 1	-	-	-

AS SHOWN 2454917-6

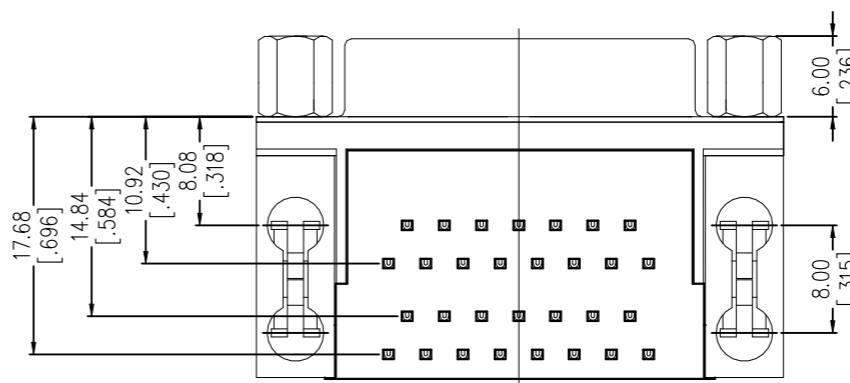



SPCC Alloy Bracket

Zinc Alloy Bracket



RECOMMENDED P.C.B LAYOUT (COMPONENT SIDE)(TOLERANCE: ±0.05)



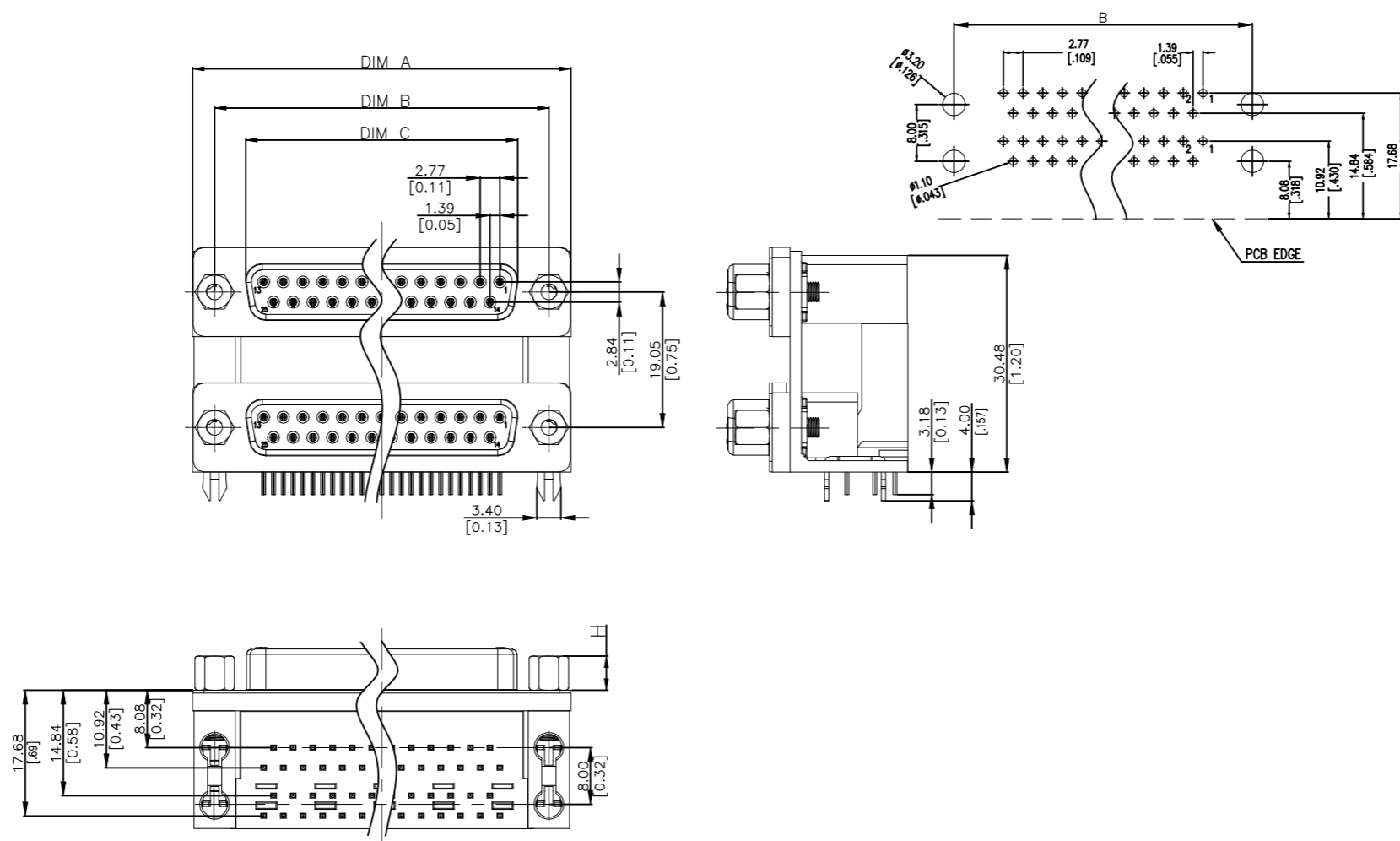
THIS DRAWING IS A CONTROLLED DOCUMENT.		DWN JM 24MAY2023	 TE Connectivity		
DIMENSIONS: mm		CHK DS 24MAY2023			
TOLERANCES UNLESS OTHERWISE SPECIFIED:		APVD WH 24MAY2023	NAME		
0 PLC ± -		PRODUCT SPEC	DUAL PORT D-SUB CONNECTOR		
1 PLC ± -		APPLICATION SPEC	SIZE	CAGE CODE	DRAWING NO
2 PLC ± 0.25		RESTRICTED TO	A3	-	C-2454917
3 PLC ± -		WEIGHT	SCALE 1:1 SHEET 6 OF 7 REV 2		
4 PLC ± -		CUSTOMER DRAWING			
ANGLES ± -					
FINISH					


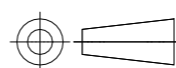
REVISIONS

P	LTR	DESCRIPTION	DATE	DWN	APVD
-	-	SEE SHEET 1	-	-	-

AS SHOWN 2454917-7, -8, -9

Recommended P.C.B Layout (Top Side)
(PCB BOARD TOLERANCE±0.05)



THIS DRAWING IS A CONTROLLED DOCUMENT.		DWN JM 24MAY2023	 TE Connectivity		
		CHK DS 24MAY2023			
DIMENSIONS: mm		APVD WH 24MAY2023	NAME		
		PRODUCT SPEC	DUAL PORT D-SUB CONNECTOR		
TOLERANCES UNLESS OTHERWISE SPECIFIED:		APPLICATION SPEC	-		
0 PLC ± -		WEIGHT	SIZE	CAGE CODE	DRAWING NO
1 PLC ± -		-	A3	-	C-2454917
2 PLC ± 0.25		RESTRICTED TO			
3 PLC ± -		-			
4 PLC ± -		CUSTOMER DRAWING			
ANGLES ± -		SCALE	SHEET	REV	
FINISH		1:1	7 OF 7	2	
MATERIAL					
-					

Mouser Electronics

Authorized Distributor

Click to View Pricing, Inventory, Delivery & Lifecycle Information:

[TE Connectivity:](#)

[2454917-1](#) [2454917-2](#) [2454917-3](#) [2454917-4](#) [2454917-5](#) [2454917-6](#)