

PRODUCT NUMBER

10129380 - X YY XXX X LF

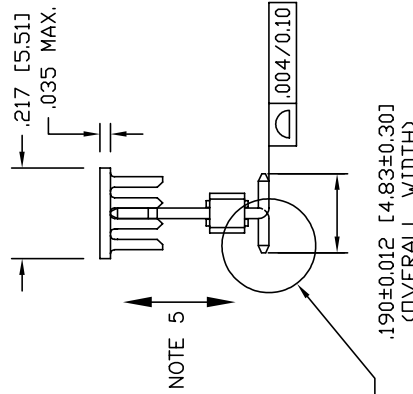
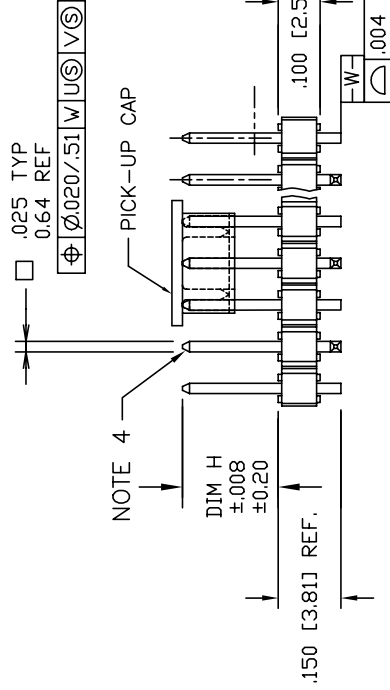
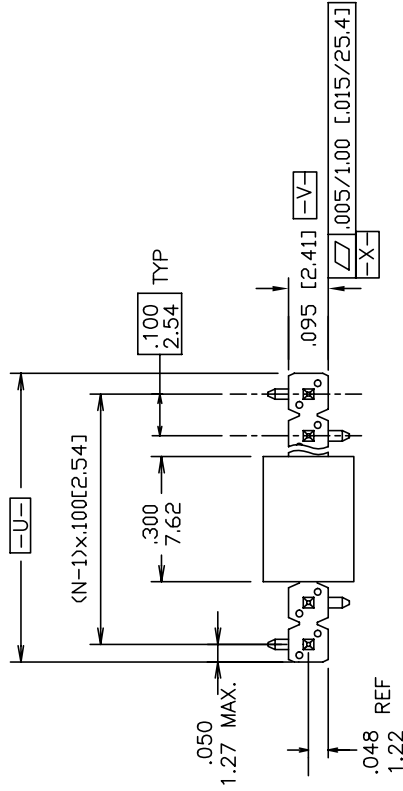
LEAD FREE OPTION
(SEE NOTES 7)

PACKAGING OPTIONS
(SEE NOTE 3)

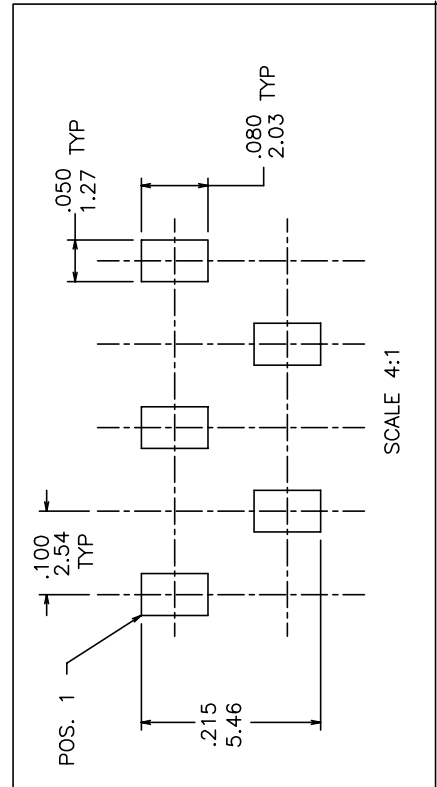
INDICATES DIFFERENT MATING LENGTH
TAIL LENGTH AND OTHER OPTIONS
(SEE TABLE IN SHEET 2)

NO OF
POSITIONS
(SEE NOTE 2)
PIN PLATING
(SEE SHEET 2)

BASE PART NO.



DETAIL 'T'
.190±0.012 [4.83±0.30]
(COVERALL WIDTH)



RECOMMENDED PAD LAYOUT

mat'l. code	surface	tolerance	projection	product family
SEE NOTES 1	ISO 1302	ISO 406	ASME Y14.5	ECONOSTIK
trunc n°dr	date	tolerances unless otherwise specified	INCH/MM	title
A NEW ZK 04/23/14	ZK 06/14/14	linear	scale 2:1	ECONOSTIK HEADER
B EX-N-18529 ZK 06/14/14	ZK 04/23/14	angular		.100/2.54cc SR SMT
	ZK HU	0°±2°		dwg no
	ZK HU			10129380
	ZK HU			sheet of 2
	chr			A3
	appd			Product Customer Drawing
sheet index	revision	B		
sheet 1	sheet 1	2		



PRODUCT NUMBER	MATING LENGTH	
	DIM H	DIM H
10129380-XY001XLF	0.230	5.84
10129380-XY002XLF	0.318	8.08

PIN PLATING CODES:
10129380-9YYXXXXLF 1u"/0.025u MIN Au OVER 50u"/1.27u MIN Ni

NOTES:

- MATERIAL BODY MATERIAL: HIGH TEMPERATURE THERMOPLASTIC. FLAME UL94-V0, BLACK. PIN MATERIAL: COPPER ALLOY.
- ANY NUMBER OF POSITIONS N FROM 2 TO 20. PRODUCT MAYBE CUTTING TO POSITION, THE CUTTING PLASH IS 0.02[0.51] MAX.
- PACKING STYLE DEFINITION.
B: PACKED WITH POLY BAG
T: PACKED WITH TUBE
A: PACKED WITH TAPE AND REEL WITH PICK UP CAP
C: PACKED WITH TAPE AND REEL WITHOUT PICK UP CAP
- TWO SIDES OF PIN TIPS NOT PLATED, TYPICAL BOTH ENDS.
- 2LBS/0.9KG MIN PIN RETENTION IN EITHER DIRECTION BEFORE REFLOW.
- THE OAL DON'T EXCEED 1 INCH / 25.4MM.
- ADD LF AT THE END OF PART NUMBER IS FOR LEAD FREE.
- THESE PRODUCT MEETS EUROPEAN UNION DIRECTIVES AND OTHER COUNTRY REGULATION AS DESCRIBED IN GS-22-008.
- THE PRODUCT WILL WITHSTAND EXPOSURE TO 260°C PEAK TEMPERATURE FOR 20 SECONDS IN A CONVECTION, INFRA-RED OR VAPOR PHASE REFLOW OVEN.
- PRODUCT SPECIFICATION: GS-12-1223.

mat'l. code	surface	tolerance	projection	product family
SEE NOTES 1	ISD 1302	ISD 406		ECONOSTIK
tr/tecn n°/dr date	tolerances unless otherwise specified		title	
B	angles linear	XXX.X/XXX.X	ECONOSTIK HEADER	
	0°±2°	XXX.X/XXX.X	.100/2.54cc SR SMT	
	dr	ZK HU 04/23/14	dwg no	sheet 2 of 2
	engr	ZK HU 04/23/14	10129380	A3
	chr	RICK BIAN 04/23/14	type	Product Customer Drawing
	appl	RICK BIAN 04/23/14		
sheet index	revision			
	sheet			

