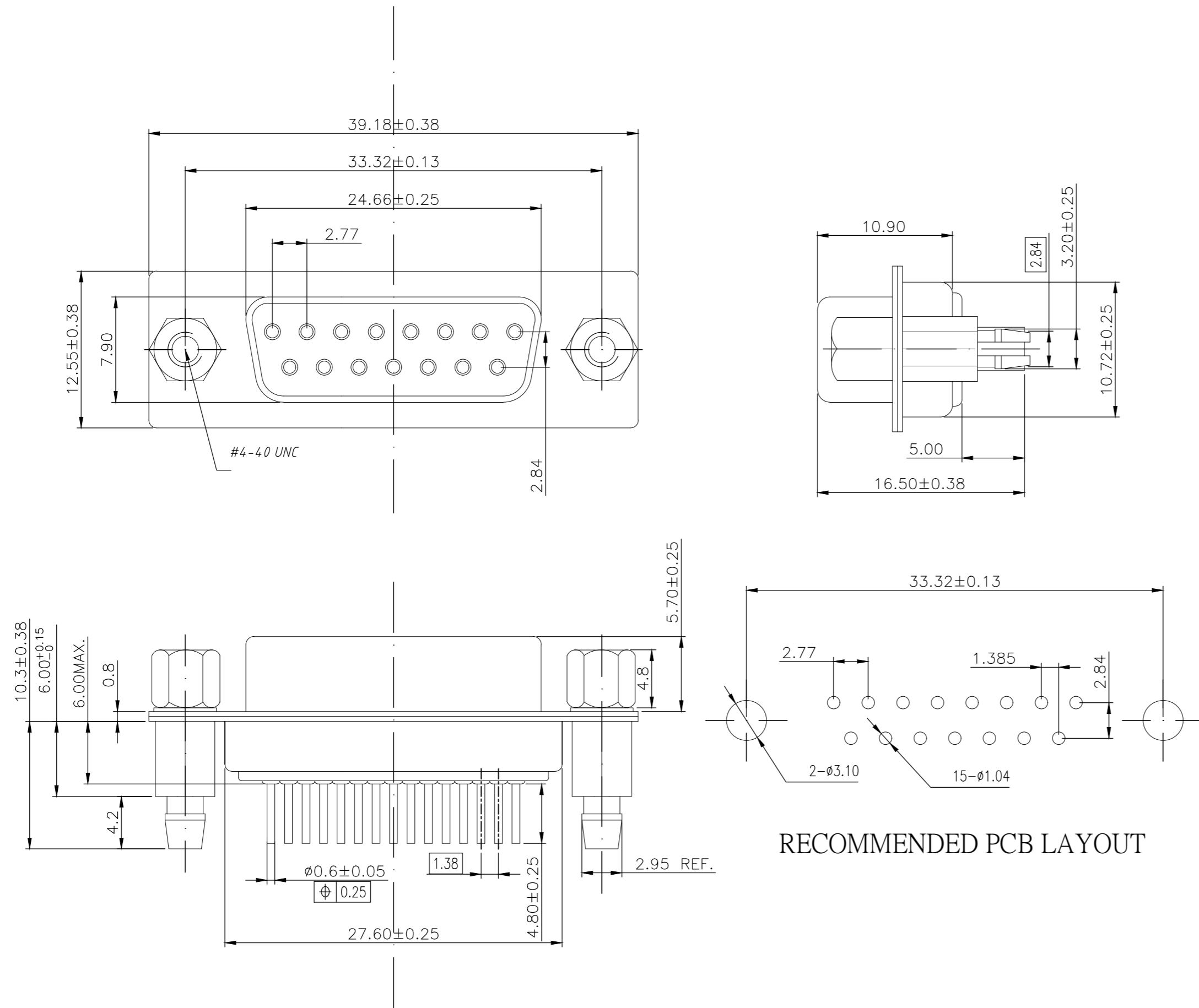


THIS DRAWING IS UNPUBLISHED. RELEASED FOR PUBLICATION
 © COPYRIGHT - By - ALL RIGHTS RESERVED.

| REVISIONS | | | | |
|-----------|-----|---------------------------|-----------|-------|
| P | LTR | DESCRIPTION | DATE | APVD |
| E | | REVISED PER ECO-18-001882 | 13FEB2018 | AP DG |



NOTE:

- MATERIAL:
 HOUSING: PBT WITH 20% GF UL 94 V-0, BLACK COLOR
 CONTACTS: PHOSPHOR BRONZE.
 SHELL: STEEL.
 SCREW: BRASS.
 SCREW LOCK: BRASS.
 SCREW TORQUE: 5kgf-cm MAX.
- FINISH:
 CONTACTS: GOLD PLATED ON CONTACT AREA,
 0.375µm [15µ"] MIN. MATTE TIN ON SOLDER TAIL
 2.54µm [100µ"], WITH ENTIRE CONTACT
 UNDERPLATED 1.27µm [50µ"] MIN. NICKEL.
 FRONT SHELL: 2.54µm [100µ"] MIN. NICKEL PLATED.
 REAR SHELL: 1.27µm [50µ"] MIN NICKEL UNDERPLATE.
 2.54µm [100µ"] MIN BRIGHT TIN PLATE
 SCREW LOCK: 1.27µm [50µ"] MIN. NICKEL PLATED.
 BOARDLOCK: 1.27µm [50µ"] MIN NICKEL UNDERPLATE.
 1.27µm [50µ"] MIN MATTE TIN PLATE
- WAVE SOLDER CAPABLE TO 265°C PER TE TEST SPEC. 109-202, CONDITION B.

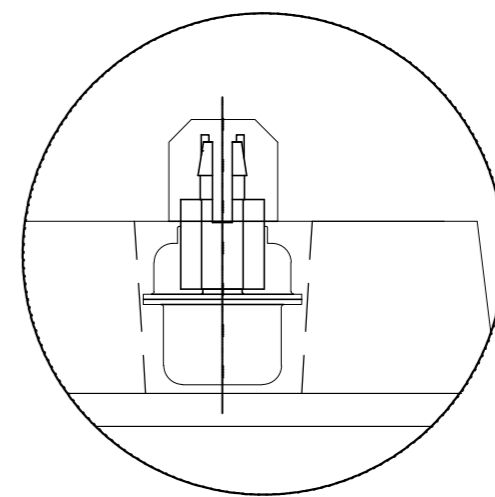
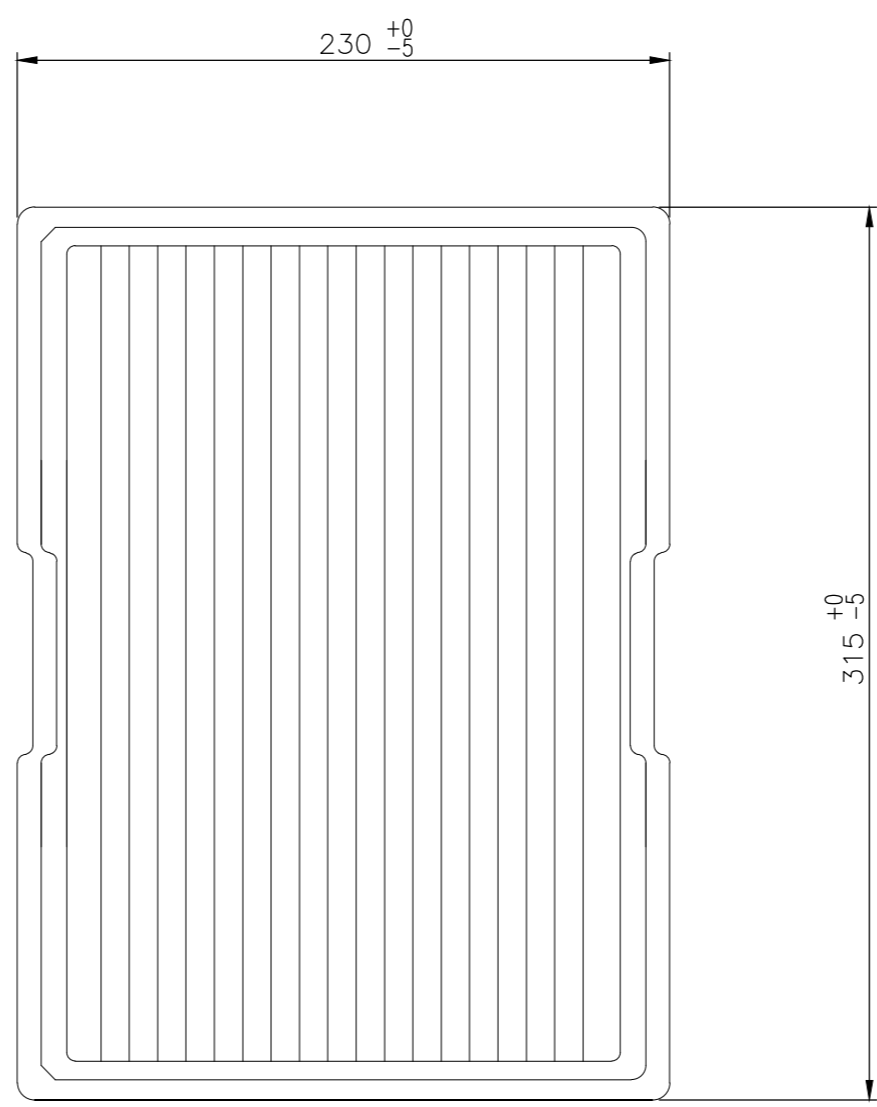
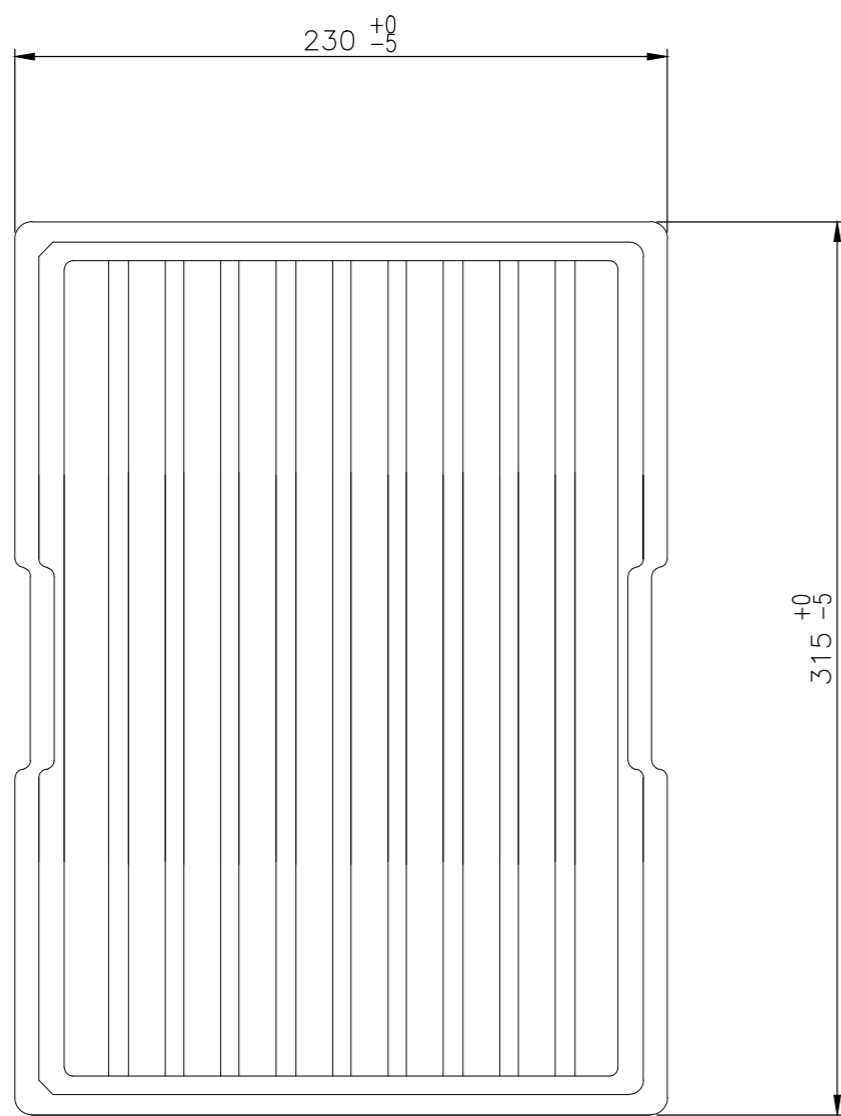
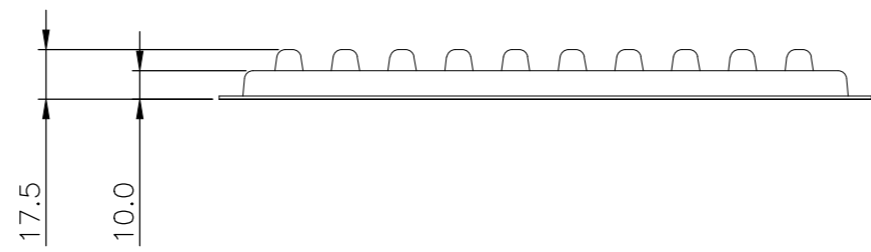
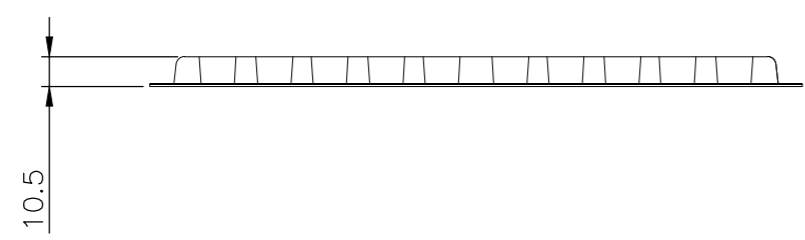
RECOMMENDED PCB LAYOUT

| | | | | |
|--|--------|------------------|------------|-----------|
| THIS DRAWING IS A CONTROLLED DOCUMENT. | | DWN | AJITH PAI | 06FEB2017 |
| DIMENSIONS: mm | | CHK | DAN GORENC | 06FEB2017 |
| TOLERANCES UNLESS OTHERWISE SPECIFIED: | | APVD | | 06FEB2017 |
| 0 PLC | ± - | PRODUCT SPEC | 108-130013 | |
| 1 PLC | ± 0.25 | APPLICATION SPEC | | |
| 2 PLC | ± 0.15 | | | |
| 3 PLC | ± 0.10 | | | |
| 4 PLC | ± - | | | |
| ANGLES | ± - | | | |
| MATERIAL | | WEIGHT | 0 | |
| | | FINISH | | |
| | | CUSTOMER DRAWING | | |

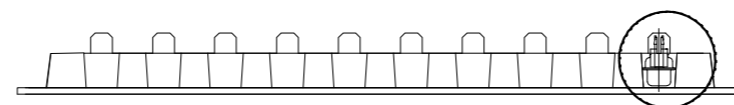
| | | | |
|---|-----------|--------------|---------------|
| 15w D skt W B/L & 4-40 s/lock 15u" gold | | 2301840-1 | |
| DESCRIPTION | | TE PART NO | |
| TE TE Connectivity | | | |
| D-SUB VERTICAL 15P SKT CONNECTOR | | | |
| SIZE | CAGE CODE | DRAWING NO | RESTRICTED TO |
| A2 | 00779 | C=2301840 | - |
| SCALE 1:1 | | SHEET 1 of 3 | REV E |

THIS DRAWING IS UNPUBLISHED. RELEASED FOR PUBLICATION
 © COPYRIGHT - By - ALL RIGHTS RESERVED.

| REVISIONS | | | | |
|-----------|-----|-------------|------|------|
| P | LTR | DESCRIPTION | DATE | APVD |
| - | - | SEE SHEET 1 | - | - |



DETAIL A

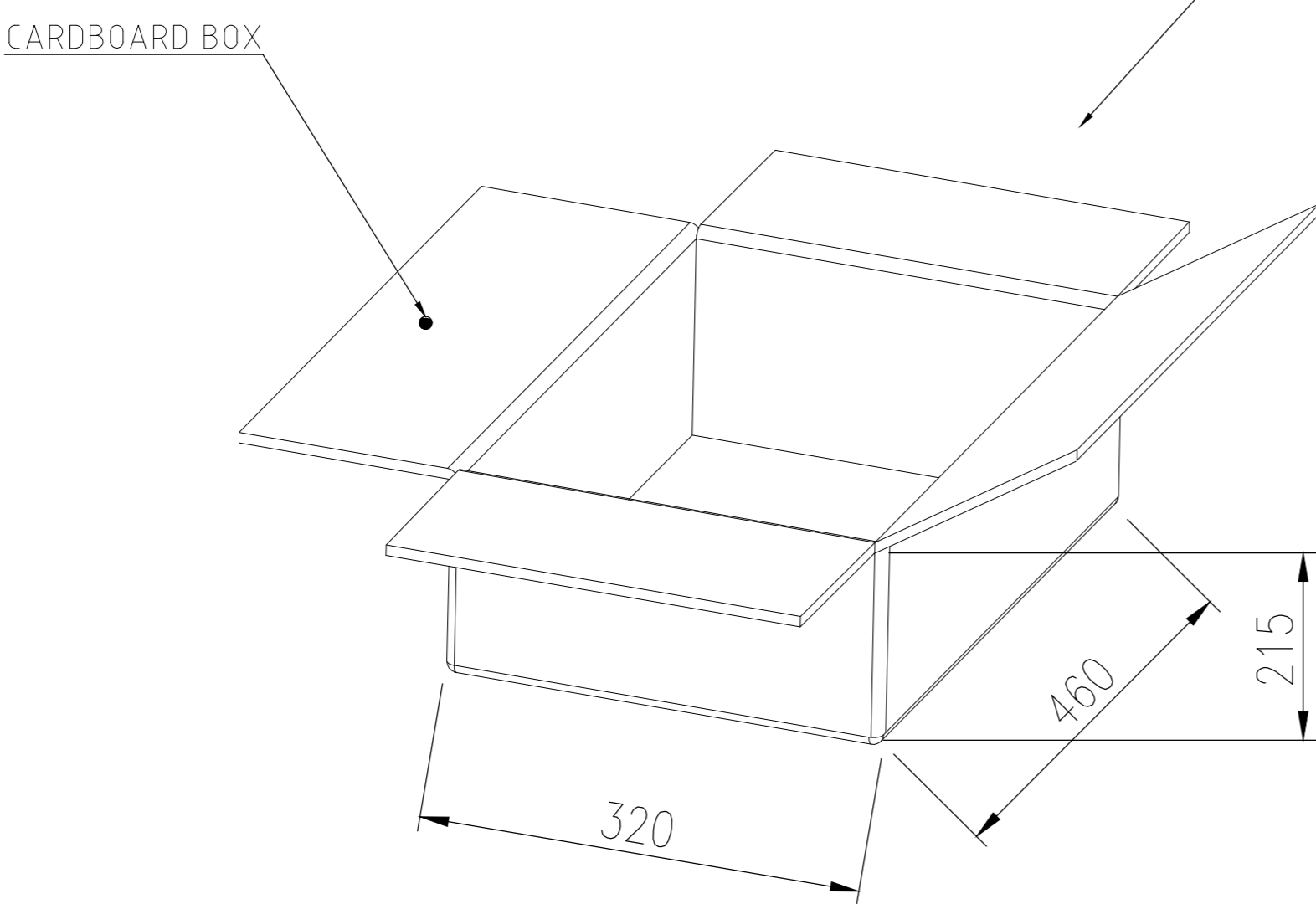
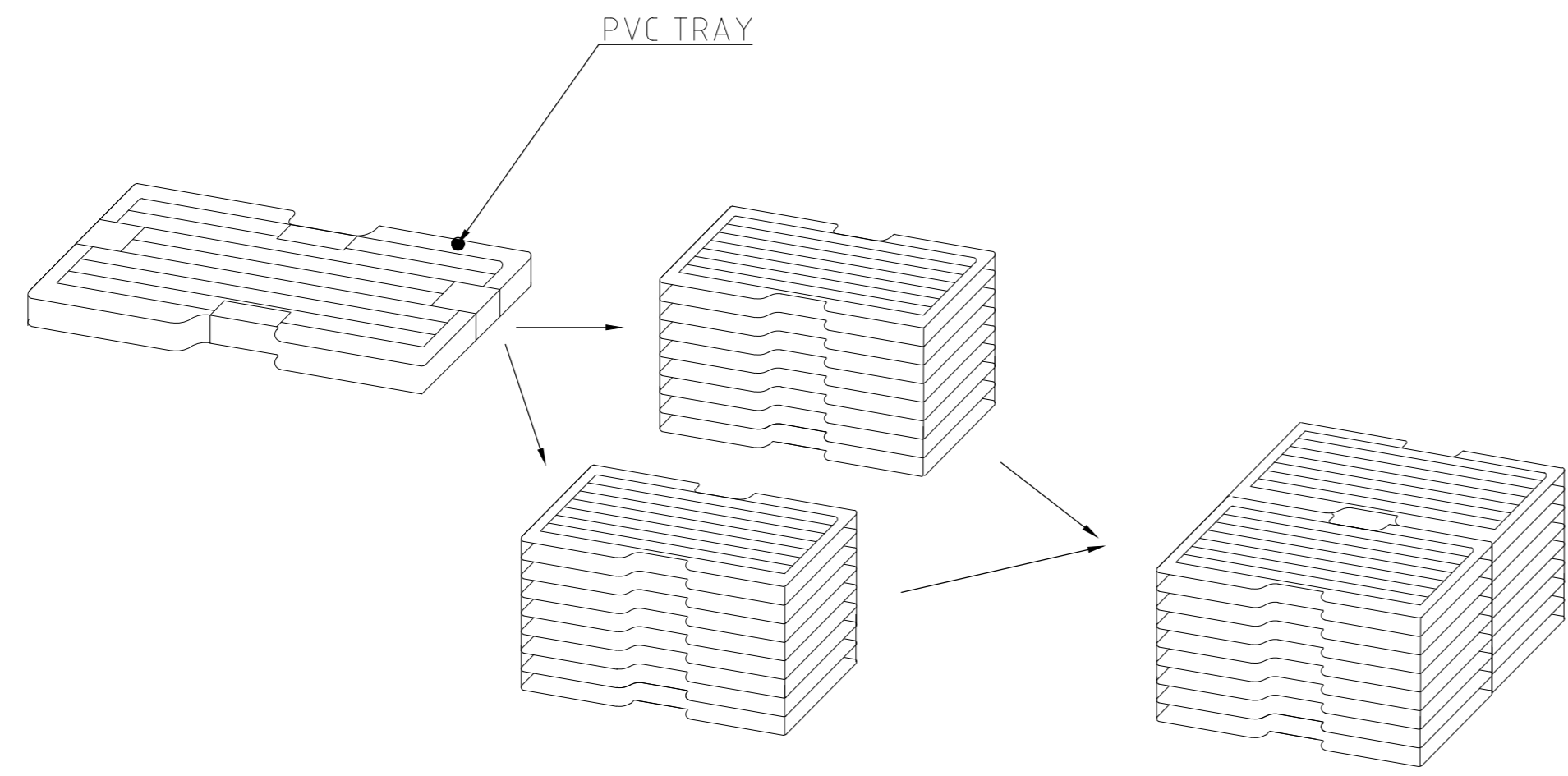


SEE DETAIL A

| | | | | |
|--|--|--------------------------------|-------------------------------------|--------------------|
| THIS DRAWING IS A CONTROLLED DOCUMENT. | | DWN AJITH PAI 06FEB2017 | | |
| DIMENSIONS: mm | | CHK DAN GORENC 06FEB2017 | | |
| TOLERANCES UNLESS OTHERWISE SPECIFIED: | | APVD - 06FEB2017 | NAME | |
| 0 PLC ± - 1 PLC ± 0.25 2 PLC ± 0.15 3 PLC ± 0.10 4 PLC ± - ANGLES ± - | | PRODUCT SPEC 108-130013 | D-SUB VERTICAL 15P SKT CONNECTOR | |
| MATERIAL | | APPLICATION SPEC | SIZE A2 | CAGE CODE 00779 |
| FINISH | | WEIGHT 0 | DRAWING NO C=2301840 | RESTRICTED TO |
| | | CUSTOMER DRAWING | SCALE 1:1 | SHEET 2 OF 3 |
| | | | REV E | |

THIS DRAWING IS UNPUBLISHED. RELEASED FOR PUBLICATION
 © COPYRIGHT - By - ALL RIGHTS RESERVED.

| REVISIONS | | | | | |
|-----------|-----|-------------|------|-----|------|
| P | LTR | DESCRIPTION | DATE | DWN | APVD |
| - | - | SEE SHEET 1 | - | - | - |



| | | | | | |
|-------------------|-----------------|----------|----------------|--------------|-------------|
| 16.579 | 14.000 | 70 | 20 | 1400 | 2301840-1 |
| GROSS WEIGHT (kg) | NET WEIGHT (kg) | PCS/TRAY | TRAYS / CARTON | QUANTITY Pcs | PART NUMBER |

| | | | | | |
|--|--|------------------|------------|--|---------------|
| THIS DRAWING IS A CONTROLLED DOCUMENT. | | DWN | 06FEB2017 | TE Connectivity D-SUB VERTICAL 15P SKT CONNECTOR | |
| DIMENSIONS: mm | | CHK | 06FEB2017 | | |
| TOLERANCES UNLESS OTHERWISE SPECIFIED: | | APVD | 06FEB2017 | | |
| 0 PLC ± - 1 PLC ± 0.25 2 PLC ± 0.15 3 PLC ± 0.10 4 PLC ± - ANGLES ± - | | PRODUCT SPEC | 108-130013 | | |
| MATERIAL | | WEIGHT | | SIZE | RESTRICTED TO |
| - | | 0 | | A2 00779 | - |
| FINISH | | CUSTOMER DRAWING | | CAGE CODE | DRAWING NO |
| - | | - | | 00779 | C=2301840 |
| | | SCALE | | SHEET | REV |
| | | 1:1 | | 3 of 3 | E |

Mouser Electronics

Authorized Distributor

Click to View Pricing, Inventory, Delivery & Lifecycle Information:

[TE Connectivity:](#)

[2301840-1](#)