

CGA3E2C0G1H222J080AD

TDK Item Description : CGA3E2C0G1H222JT***B



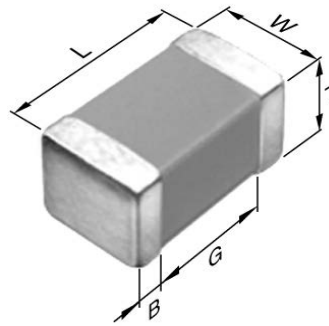
Equivalent C1608C0G1H222J for Automotive

Application & Main Feature

Automotive Grade (Conductive Epoxy Application)

Series

CGA3(1608) [EIA 0603]



Dimensions

| | |
|---|----------------|
| L | 1.60mm ±0.15mm |
| W | 0.80mm ±0.15mm |
| T | 0.80mm ±0.15mm |
| B | 0.20mm Min. |
| G | 0.30mm Min. |

Temperature Characteristic

C0G (-55 to 125 degC 0+/-30ppm/degC)

Rated Voltage

1H(50Vdc)

Capacitance

2.2nF

Capacitance Tolerance

J (±5%)

Q Factor

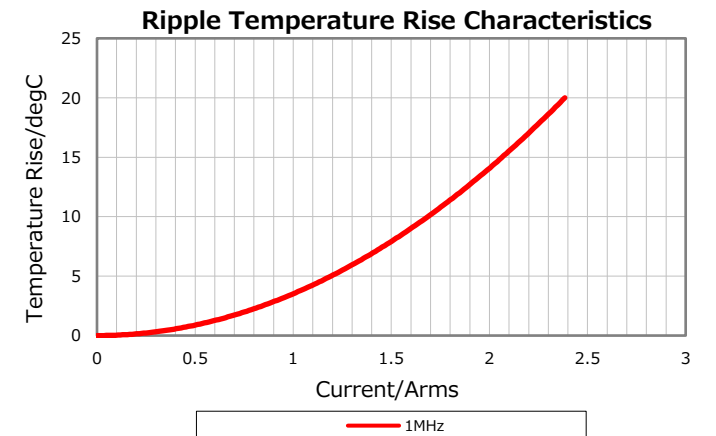
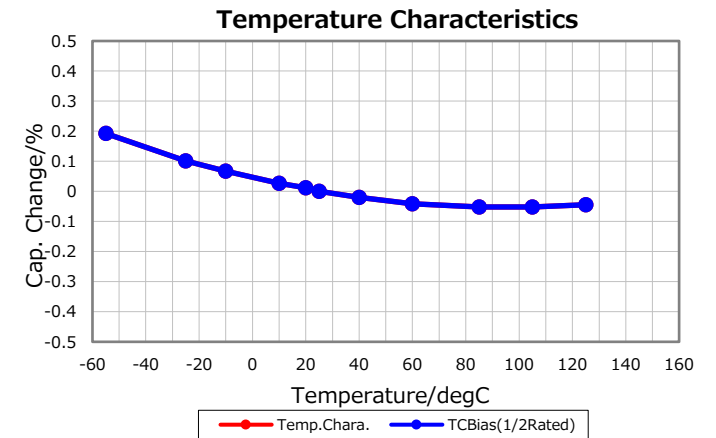
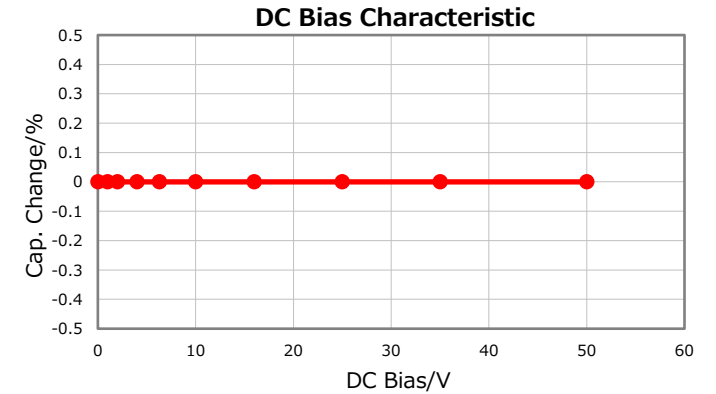
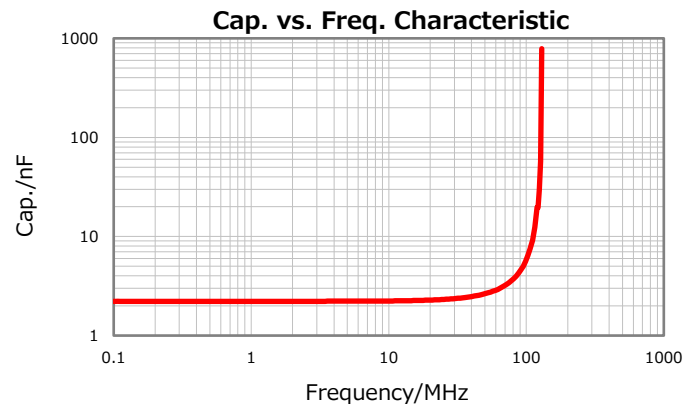
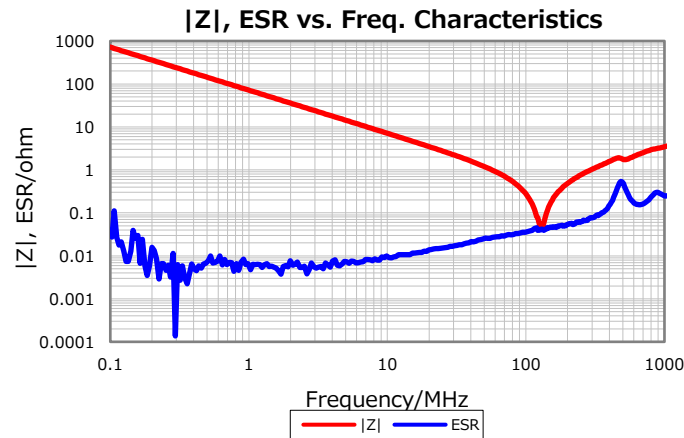
1000 Min.

Insulation Resistance

10Gohm Min

AEC-Q200

Yes



Characterization Sheet (Multilayer Ceramic Chip Capacitors)



All specifications are subject to change without notice.

May 22, 2019