

3

2

1

PART NO. AND CH. CODE	MATERIAL	COLOR
7123-4312-80, [C]	PBT	BROWN
7123-4312-30, [B]	PBT	BLACK

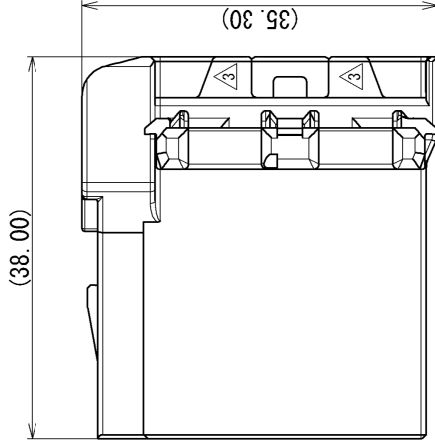
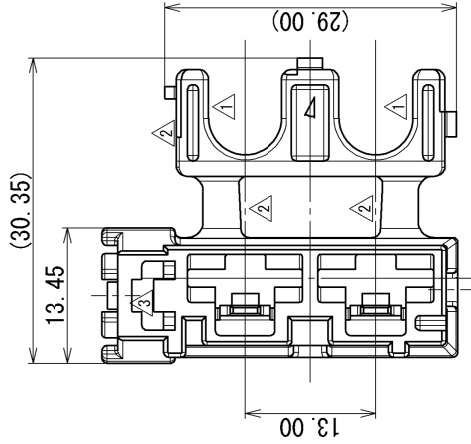
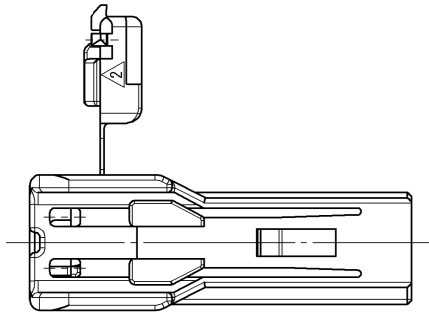


注記

1. かん合相手品番 : 7327-6212, 7327-6213 ETC.
2. 適用端子品番 : 7116-3250, 7116-3251, 7116-3252

NOTES

1. MATING PART NO. : 7327-6212, 7327-6213 ETC.
2. APPLICABLE TERMINAL NO. : 7116-3250, 7116-3251, 7116-3252



△ 2013/09/23	CHANGED PART NAME ETC. [C]	C13-7422	S. B		CUSTOMER		MATL. SPEC.	SEE TABLE	TREAT. & FIN.	ISSUE MARK		
△ 2005/05/09	CHANGED FORM ETC. [B]	C05-7672	Y. M		CUSTOMER PART NO.	CUSTOMER DWG NO.	NAME	△ L TYPE 2P HOUSING FEMALE				
△ 2002/03/22	CHANGED FORM & ADDED COLOR NO. ETC. [A]	C02-X109	T. H		OFFICE	TRIAL PART NO.						
2000/10/24	NEW	C00-L826	T. H		VENDOR							
LET DATE	REVISION RECORD	NO.	CHKD		VENDOR NO.							
GENERAL TOLERANCE												
10MAX	50MAX	100MAX	250MAX	2500VR	ANGLE	ECCENT	DWG TYPE	DWG SOURCE	DWG DATE	UNIT	SCL	ANGLE
A ±0.15	±0.2	±0.3	±0.5	±0.75	±30'	O. 1	R	NEW	2000/06/14	mm	2:1	3
B ±0.2	±0.3	±0.55	±0.95	±1.4	±30'	O. 1	APPROVED	CHECKED	CHECKED	DESIGN	DRAWN	
③ ±0.3	±0.5	±0.8	±1.4	±2	±30'	O. 15	T. YAMANAKI	S. NEMOTO		MATSUMURA	S. BAYTIC	
SPECIFIED MASS							2013/09/23	2013/09/23	2000/05/25	2013/09/23		
							2013/09/23	2013/09/23	2000/05/25	2013/09/23		
							PART NO. △ 7123-4312-80 ETC.		CH. CODE			
							DWG NO. 7123-4312-80:R		SET DWG NO.			
							YAZAKI CORPORATION					

3

2

1

A

B

Mouser Electronics

Authorized Distributor

Click to View Pricing, Inventory, Delivery & Lifecycle Information:

[Yazaki:](#)

[7123431280](#) [7123431230](#)