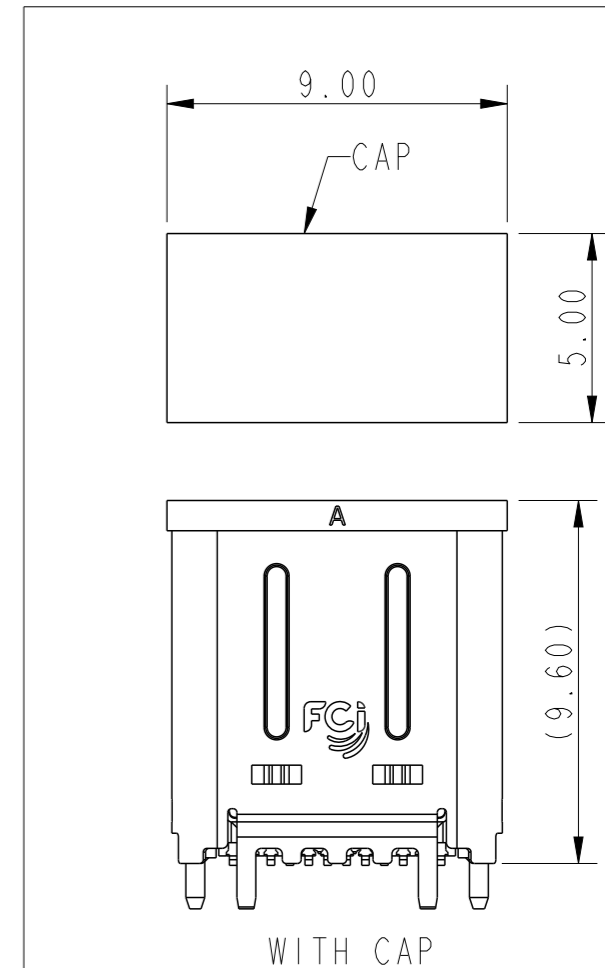
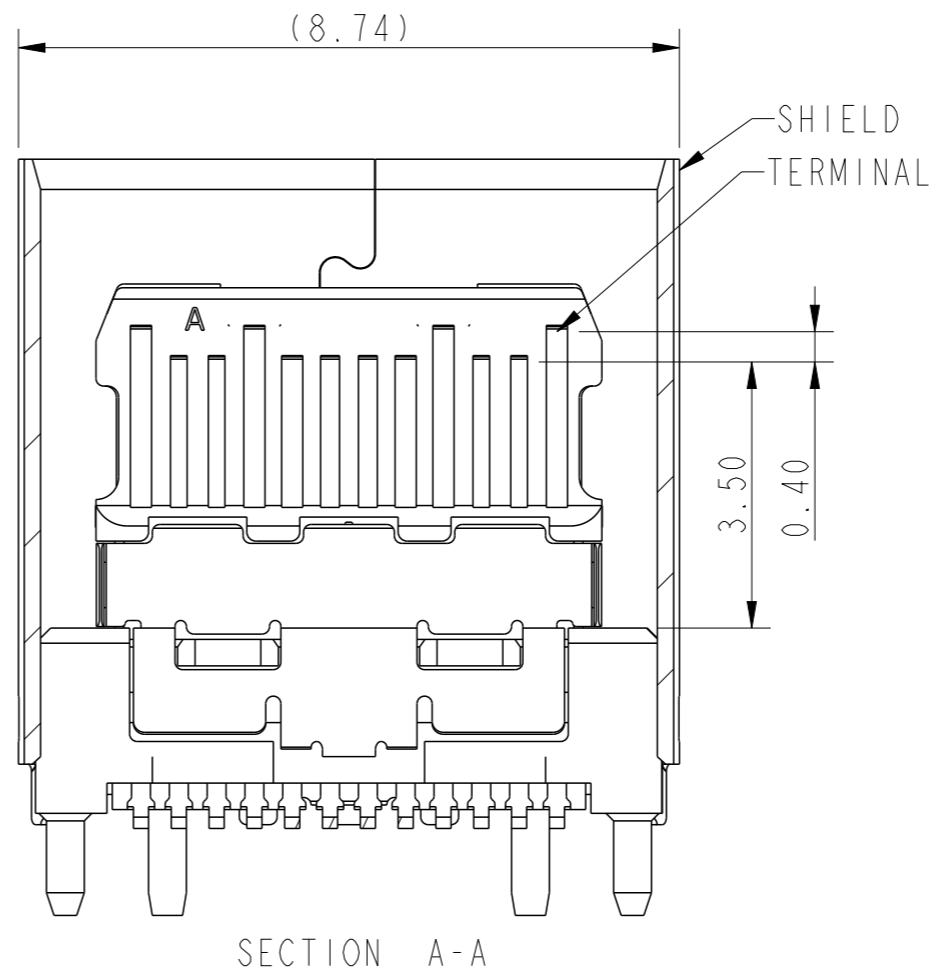
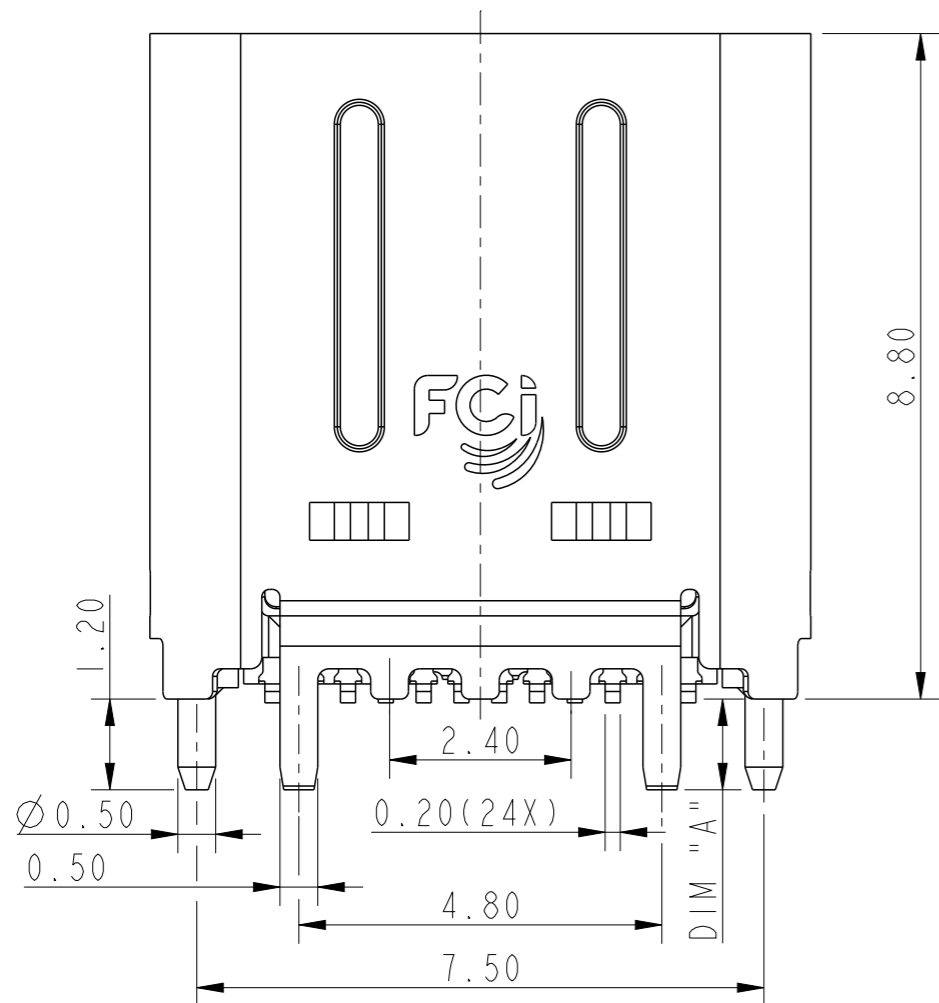
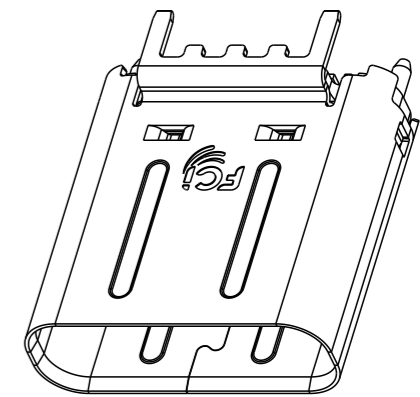
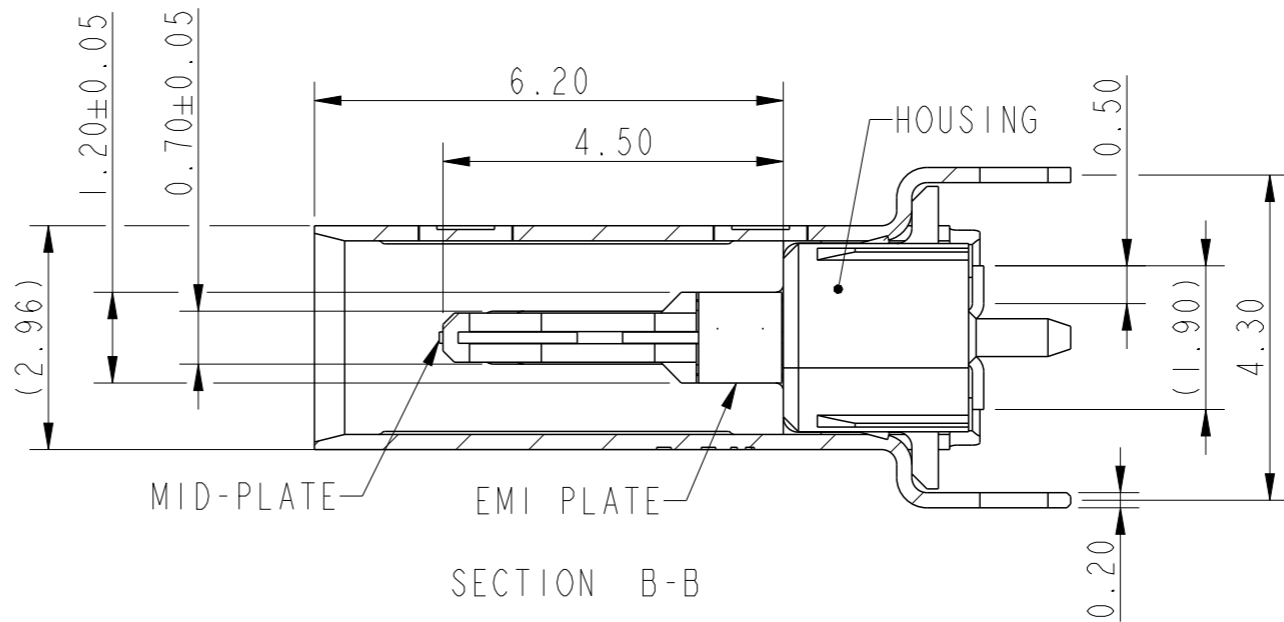
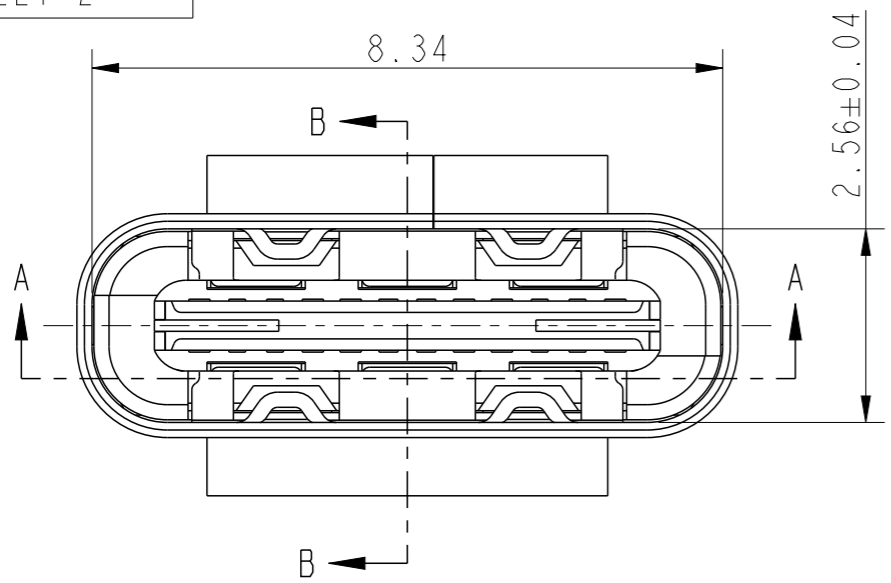


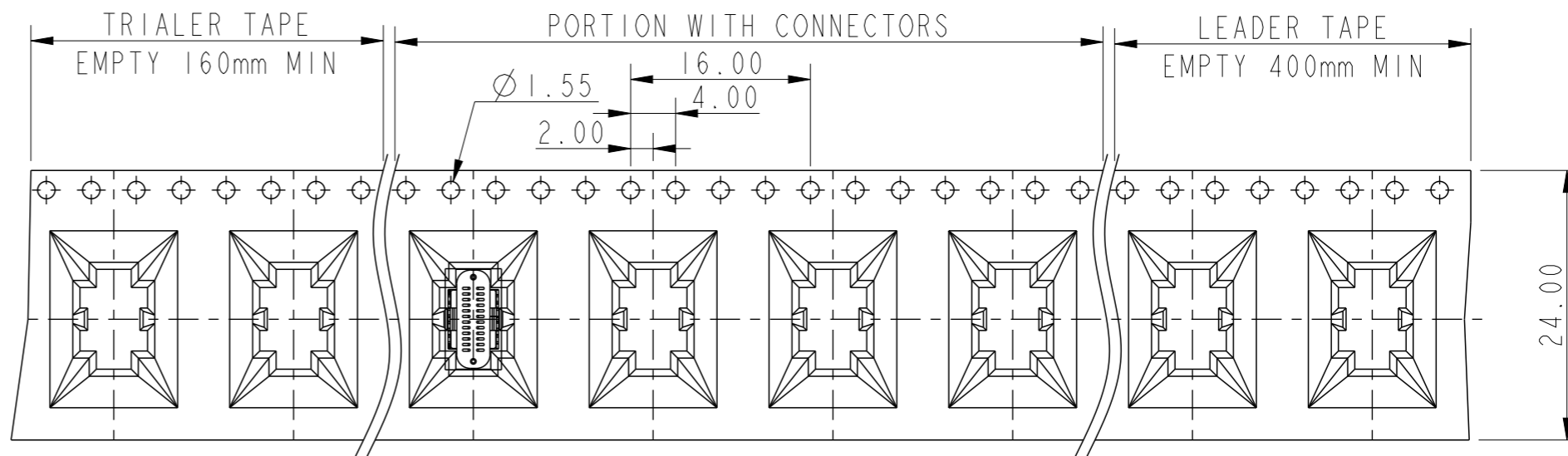
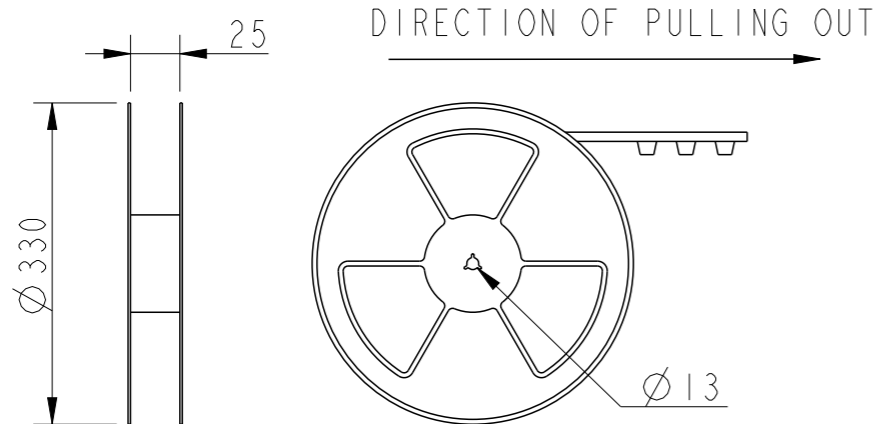
PART NUMBER
SEE SHEET 2



spec ref	-	dr	Li-Qing Lei	2014/11/20	projection	mm	size	A3	scale	10:1	
tolerance std	ISO 406 ISO 1101	eng	Li-Qing Lei	2020/07/24			ecn no	ELX-N-37761-1			
TOLERANCES UNLESS OTHERWISE SPECIFIED		chr	-	-			rel level	Released			
surface	linear	0.X	±0.25	Amphenol FCI	product family	-	dwg no	10132328		rev	B
		0.XX	±0.15		USB3.1 Type-C	cat. no.	-	Product - Customer Drw		sheet 1 of 3	
	angular	0°	±2°		Vertical, Receptacle						

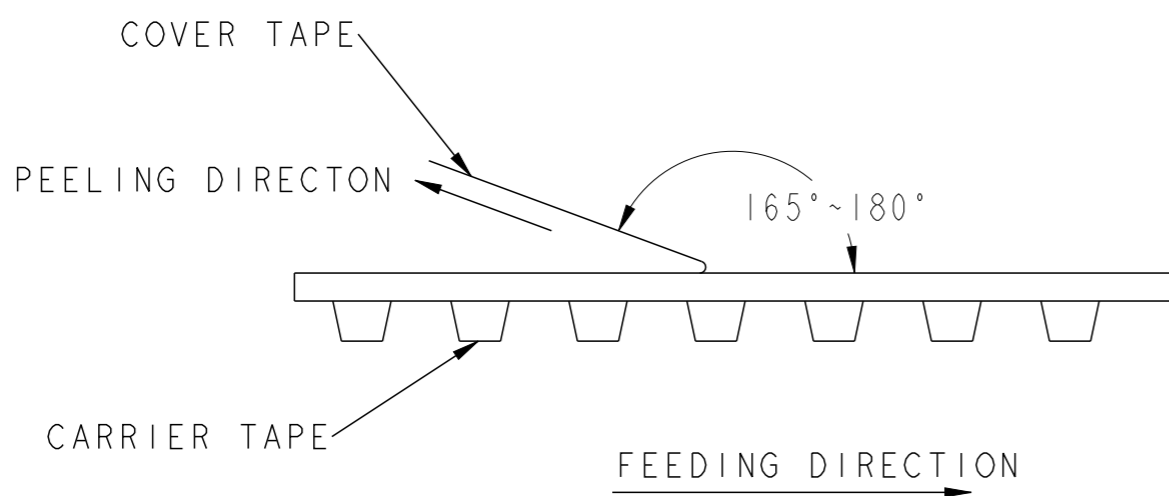
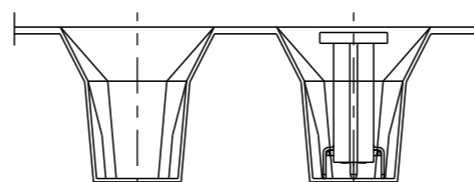
TAPE REEL PACKAGE
Q'TY: (350)EA/REEL

A



B

B



SHOWS THE METHOD OF COVER TAPE'S PEELING FORCE MEASUREMENT.
PEELING FORCE MUST BE 0.1 TO 1.3N AT THE SPEED OF 300MM/MIN.

D

D

spec ref	-	dr	Li-Qing Lei	2014/11/20	projection	mm	size	A3	scale	1:1	
tolerance std	ISO 406 ISO 1101	eng	Li-Qing Lei	2020/07/24			ecn no	ELX-N-37761-1	rel level		Released
TOLERANCES UNLESS OTHERWISE SPECIFIED		chr	-	-			product family	rel level		Released	
surface	linear	0.X	± 0.25	Amphenol FCI	USB3.1 Type-C Vertical, Receptacle		dwg no	10132328	rev	B	
		0.XX	± 0.15		cat. no.	Product - Customer Drw		sheet 3 of 3			
	angular	0°	$\pm 2^{\circ}$								

Mouser Electronics

Authorized Distributor

Click to View Pricing, Inventory, Delivery & Lifecycle Information:

[Amphenol:](#)

[10132328-10014LF](#) [10132328-10001LF](#)