

Features

- CMTI: 100 kV/μs
- Input Voltage Range: ±250 mV or ±50 mV
- Fixed Gain: 8.0, 8.2, or 41
- Very Low Gain Error: 0.3% Maximum at 25°C
- System-Level Diagnostic Features
- Wide Temperature Range: -40°C to +125°C
- TPA800x-SOAR-S is Qualified for Automotive Applications with the AEC-Q100 Reliability Test
- Finished Safety-Related Certifications:
 - 5000-V_{RMS} Isolation Rating per UL 1577 (WSOP8)
 - 3750-V_{RMS} Isolation Rating per UL 1577 (SMP8)
 - CQC Certification per GB 4943.1
 - CB Certifications per IEC 62368-1
 - CSA Component Acceptance Notice 5A
- Ongoing Safety-Related Certifications:
 - TPA800x-SOAR-S: VDE Certification According to DIN EN IEC 60747-17 (VDE 0884-17)

Applications

- Industrial Automation
- Motor Control
- Power Supplies

Description

The devices are precision, isolated amplifiers with an output separated from the input circuitry by a capacitive silicon dioxide insulation barrier.

The common-mode transient immunity (CMTI) of the devices is significantly enhanced through innovative circuit design and optimized structure.

The input of the devices is designed to connect to shunt resistors or other low-voltage level signal sources. The excellent performance of the devices supports accurate current control in motor control applications. The feature of the devices detecting whether the high-side supply voltage is missing or not simplifies system-level diagnostics.

The devices are available in the WSOP8 and SMP8 packages, and are characterized from -40°C to +125°C.

Quick Selection Guide:

Product	Gain	Input Range	V _{OS} (Max)	Package
TPA8000	8	±250 mV	500 μV	SMP8
TPA8000	8	±250 mV	200 μV	WSOP8
TPA8001	8.2	±250 mV	200 μV	WSOP8
TPA8002	41	±50 mV	100 μV	WSOP8

Typical Application Circuit

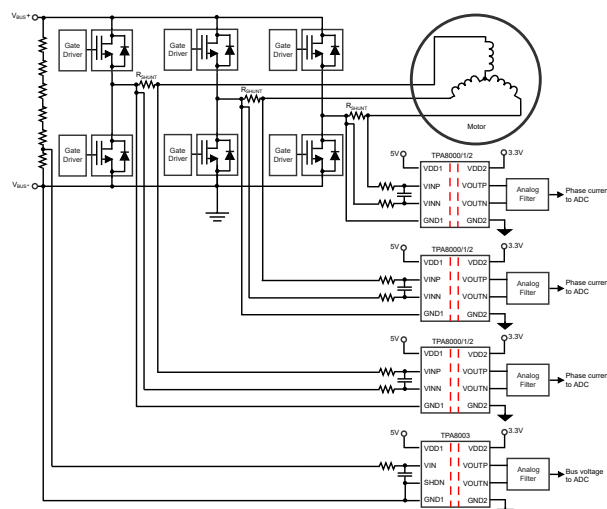


Table of Contents

Features	1
Applications	1
Description	1
Typical Application Circuit	1
Revision History	3
Pin Configuration and Functions	4
Specifications	5
Absolute Maximum Ratings ⁽¹⁾	5
ESD, Electrostatic Discharge Protection—TPA8000-SM1R/TPA800x-SOAR.....	5
ESD, Electrostatic Discharge Protection—TPA800x-SOAR-S.....	5
Recommended Operating Conditions.....	5
Thermal Information.....	5
Insulation Specifications.....	6
Safety-Related Certifications.....	8
Safety Limiting Values.....	9
Electrical Characteristics—TPA8000/TPA8001.....	10
Electrical Characteristics—TPA8002.....	12
Typical Performance Characteristics—TPA8000/TPA8001.....	14
Detailed Description	18
Overview.....	18
Functional Block Diagram.....	18
Feature Description.....	18
Application and Implementation	19
Typical Application.....	19
Tape and Reel Information	21
Package Outline Dimensions	22
WSOP8.....	22
SMP8.....	23
Order Information	24
IMPORTANT NOTICE AND DISCLAIMER	25

Revision History

Date	Revision	Notes
2023-03-02	Rev.Pre.0	Preliminary version.
2023-09-20	Rev.A.0	Initial version.
2023-10-31	Rev.A.1	Added I _{IO} specification in Electrical Characteristics. Finished UL certification.
2023-11-25	Rev.A.2	Corrected typo of Figure 19: from "ns" to "μs".
2024-01-03	Rev.A.3	Added new part numbers: TPA8000-SOAR-S, TPA8001-SOAR-S, and TPA8002-SOAR-S. The following updates were all about the new datasheet formats or typos, and the actual product remains unchanged. <ul style="list-style-type: none">• Changed "Very Low Gain Error from 0.03% Maximum at 25°C" to "0.3% Maximum at 25°C" in the Features.• Changed the minimum value of Analog Output Voltage at VOUTP, VOUTN: from "GND1 – 0.5" to "GND2 – 0.5" in Absolute Maximum Ratings.
2024-12-18	Rev.A.4	The following updates are all about the new datasheet formats or typos, and the actual product remains unchanged. <ul style="list-style-type: none">• Updated Safety-Related certificates number.• Updated the Tape and Reel Information.• Added typical value of SNR, PSRR, THD to TPA8002.
2025-04-30	Rev.A.5	Changed the Maximum Gain Error specification of TPA8000-SM1R from "0.3%" to "1%". Updated the POD format of the WSOP8.
2026-04-01	Rev.A.6	The following updates are all about the new datasheet formats or typos, and the actual product remains unchanged. <ul style="list-style-type: none">• Updated Safety-Related certificates number.• Corrected typo of Figure Typical Application Circuit.

Pin Configuration and Functions

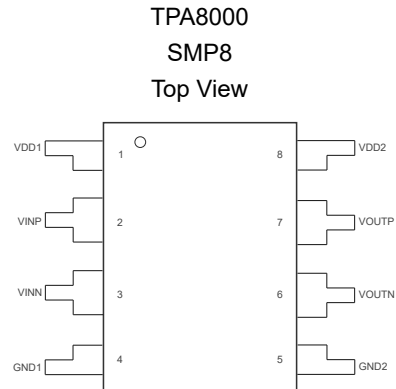
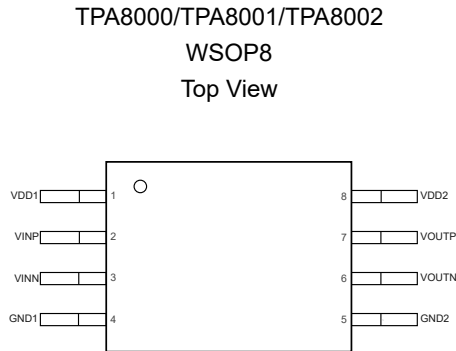


Table 1. Pin Functions

Pin		I/O	Description
No.	Name		
1	VDD1		High-side power supply
2	VINP	I	Positive analog input
3	VINN	I	Negative analog input
4	GND1		High-side analog ground
5	GND2		Low-side analog ground
6	VOUTN	O	Negative analog output
7	VOUTP	O	Positive analog output
8	VDD2		Low-side power supply

Specifications

Absolute Maximum Ratings ⁽¹⁾

Parameter		Min	Max	Unit
V _{DD}	Supply Voltage, VDD1 to GND1 or VDD2 to GND2	-0.3	7	V
V _{INPUT}	Analog Input Voltage at VINP, VINN	GND1 – 6	VDD1 + 0.5	V
	Analog Output Voltage at VOUTP, VOUTN	GND2 – 0.5	VDD2 + 0.5	V
I _{IN}	Input Current to Any Pin except Supply Pins	-10	10	mA
T _J	Operating Virtual Junction Temperature		150	°C
T _{stg}	Storage Temperature	-65	150	°C

(1) Stresses beyond those listed under Absolute Maximum Ratings may cause permanent damage to the device. Exposure to any Absolute Maximum Rating condition for extended periods may affect device reliability and lifetime.

ESD, Electrostatic Discharge Protection—TPA8000-SM1R/TPA800x-SOAR

Symbol	Parameter	Condition	Value	Unit
HBM	Human Body Model ESD	ANSI/ESDA/JEDEC JS-001 ⁽¹⁾	2	kV
CDM	Charged Device Model ESD	ANSI/ESDA/JEDEC JS-002 ⁽²⁾	1.5	kV

(1) JEDEC document JEP155 states that 500-V HBM allows safe manufacturing with a standard ESD control process.

(2) JEDEC document JEP157 states that 250-V CDM allows safe manufacturing with a standard ESD control process.

ESD, Electrostatic Discharge Protection—TPA800x-SOAR-S

Parameter		Condition	Minimum Level	Unit
HBM	Human Body Model ESD	AEC-Q100-002	2	kV
CDM	Charged Device Model ESD	AEC-Q100-011	1.5	kV

Recommended Operating Conditions

Parameter		Min	Typ	Max	Unit
V _{DD1}	High-Side Supply Voltage (VDD1 to GND1)	3.0	5.0	5.5	V
V _{DD2}	Low-Side Supply Voltage (VDD2 to GND2)	3.0	3.3	5.5	V
T _A	Operating Ambient Temperature	-40	25	125	°C

Thermal Information

Package Type	θ _{JA}	θ _{Jc}	Unit
WSOP8	85	43	°C/W
SMP8	74	65	°C/W

Insulation Specifications

The value of UL and VDE is provided by lab tests, and the UL and VDE certifications are ongoing.

Parameter		Conditions	Value		Unit
			WSOP8	SMP8	
CLR	External Clearance	Shortest terminal-to-terminal distance through air	8.0	6.0	mm
CPG	External Creepage	Shortest terminal-to-terminal distance across the package surface	8.0	6.0	mm
DTI	Distance through the Insulation	Minimum internal gap (internal clearance)	22	22	μm
DTC	Distance through the Molding Compound	Minimum internal distance across the conductors inside the package	0.8	0.6	mm
CTI	Comparative Tracking Index	DIN EN 60112 (VDE 0303-11); IEC 60112; UL 746A	> 600	> 600	V
	Material Group	According to IEC 60664-1	I	I	
	Over-voltage Category	For Rated Mains Voltage ≤ 150 V _{RMS}	I-IV	I-IV	
		For Rated Mains Voltage ≤ 300 V _{RMS}	I-IV	I-III	
		For Rated Mains Voltage ≤ 600 V _{RMS}	I-IV	I-II	
		For Rated Mains Voltage ≤ 1000 V _{RMS}	I-III	I	
	Climatic Category		40/125/21	40/125/21	
	Pollution Degree		2	2	
DIN EN IEC 60747-17 (VDE 0884-17)⁽¹⁾⁽²⁾					
V _{IORM}	Maximum Repetitive Isolation Voltage	AC voltage	1700	1414	V _{PK}
V _{IOWM}	Maximum Working Isolation Voltage	AC voltage; TDDb test	1200	1000	V _{RMS}
		DC voltage	1700	1414	V _{DC}
V _{IOTM}	Maximum Transient Isolation Voltage	V _{TEST} = V _{IOTM} , t = 60 s (qualification); V _{TEST} = 1.2 × V _{IOTM} , t = 1 s (100% production)	7000	6080	V _{PK}
V _{IOSM}	Maximum Surge Isolation Voltage ⁽³⁾	Test method per IEC 62368-1, 1.2/50 μs waveform, V _{TEST} = 1.3 × V _{IOSM} (qualification)	6500	6500	V _{PK}
Q _{pd}	Apparent Charge	Method a, after the input/output safety test subgroup 2/3, V _{ini} = V _{IOTM} , t _{ini} = 60 s; V _{pd(m)} = 1.2 × V _{IORM} , t _m = 10 s	≤ 5	≤ 5	pC
		Method a, after environmental tests subgroup 1, V _{ini} = V _{IOTM} , t _{ini} = 60 s; V _{pd(m)} = 1.6 × V _{IORM} , t _m = 10 s	≤ 5	≤ 5	

Parameter		Conditions	Value		Unit
			WSOP8	SMP8	
		Method b1; at routine test (100% production) and preconditioning (type test), $V_{ini} = 1.2 \times V_{IOTM}$, $t_{ini} = 1 \text{ s}$; $V_{pd(m)} = 1.875 \times V_{IORM}$, $t_m = 1 \text{ s}$	≤ 5	≤ 5	
C_{IO}	Isolation Capacitance	$V_{IO} = 0.4 \times \sin(2\pi f t)$, $f = 1 \text{ MHz}$	~ 0.5	~ 0.5	pF
R_{IO}	Isolation Resistance	$V_{IO} = 500 \text{ V}$, $T_A = 25^\circ\text{C}$	$> 10^{12}$	$> 10^{12}$	Ω
		$V_{IO} = 500 \text{ V}$, $100^\circ\text{C} \leq T_A \leq 125^\circ\text{C}$	$> 10^{11}$	$> 10^{11}$	Ω
		$V_{IO} = 500 \text{ V}$ at $T_S = 150^\circ\text{C}$	$> 10^9$	$> 10^9$	Ω
UL 1577					
V_{ISO}	Withstanding Isolation Voltage	$V_{TEST} = V_{ISO}$, $t = 60 \text{ s}$ (qualification); $V_{TEST} = 1.2 \times V_{ISO}$, $t = 1 \text{ s}$ (100% production)	5000	3750	V_{RMS}

- (1) All pins on each side of the barrier are tied together creating a two-terminal device.
- (2) This coupler is suitable for safe electrical insulation only within the safety operating ratings. Compliance with the safety ratings shall be ensured using suitable protective circuits.
- (3) Testing must be carried out in oil.

Safety-Related Certifications

CQC	CB	cUL		VDE
GB 4943.1-2022	IEC 62368-1: 2023	UL 1577, Edition 5	CSA Component Acceptance Notice 5A	DIN EN IEC 60747-17 (VDE 0884-17): 2021-10
Certificate No. CQC23001393276 (WSOP8) and CQC23001393277 (SMP8)	Certificate No. CN72186 (WSOP8) and CN67210 (SMP8)	File E524241	File E524241	Certificate No. 40054570

Safety Limiting Values

Parameter	Conditions ⁽¹⁾	Min	Typ	Max	Unit
Safety Input, Output, or Supply Current	$R_{\theta JA} = 85^{\circ}\text{C/W}$, $V_{DD1} = V_{DD2} = 5.5\text{ V}$, $T_J = 150^{\circ}\text{C}$, $T_A = 25^{\circ}\text{C}$, WSOP8 package			267	mA
	$R_{\theta JA} = 74^{\circ}\text{C/W}$, $V_{DD1} = V_{DD2} = 5.5\text{ V}$, $T_J = 150^{\circ}\text{C}$, $T_A = 25^{\circ}\text{C}$, SMP8 package			307	mA
	$R_{\theta JA} = 85^{\circ}\text{C/W}$, $V_{DD1} = V_{DD2} = 3.6\text{ V}$, $T_J = 150^{\circ}\text{C}$, $T_A = 25^{\circ}\text{C}$, WSOP8 package			408	mA
	$R_{\theta JA} = 74^{\circ}\text{C/W}$, $V_{DD1} = V_{DD2} = 3.6\text{ V}$, $T_J = 150^{\circ}\text{C}$, $T_A = 25^{\circ}\text{C}$, SMP8 package			469	mA
Safety Total Power	$R_{\theta JA} = 85^{\circ}\text{C/W}$, $T_J = 150^{\circ}\text{C}$, $T_A = 25^{\circ}\text{C}$, WSOP8 package			1470	mW
	$R_{\theta JA} = 74^{\circ}\text{C/W}$, $T_J = 150^{\circ}\text{C}$, $T_A = 25^{\circ}\text{C}$, SMP8 package			1689	mW
Maximum Safety Temperature				150	$^{\circ}\text{C}$

(1) The assumed junction-to-air thermal resistance in the [Thermal Information](#) is that of a device installed on a high-K test board for leaded surface-mount packages.

Electrical Characteristics—TPA8000/TPA8001

All test conditions: minimum and maximum specifications are at $T_A = -40^\circ\text{C}$ to $+125^\circ\text{C}$, $V_{DD1} = 3.0\text{ V}$ to 5.5 V , $V_{DD2} = 3.0\text{ V}$ to 5.5 V , $V_{INP} = -250\text{ mV}$ to $+250\text{ mV}$, and $V_{INN} = 0\text{ V}$; typical specifications are at $T_A = 25^\circ\text{C}$, $V_{DD1} = 5\text{ V}$, and $V_{DD2} = 3.3\text{ V}$, unless otherwise noted.

Symbol	Parameter	Conditions	Min	Typ	Max	Unit	
Analog Input							
$V_{Clipping}$	Differential Input Voltage before Clipping Output	$V_{INP} - V_{INN}$		±320		mV	
V_{FSR}	Specified Linear Differential Full-Scale	$V_{INP} - V_{INN}$	-250		250	mV	
V_{CM}	Specified Common-Mode Input Voltage	$(V_{INP} + V_{INN}) / 2$ to GND1	-0.16		$V_{DD1} - 2.5$	V	
	Absolute Common-Mode Input Voltage ⁽¹⁾	$(V_{INN} + V_{INP}) / 2$ to GND1	-2		V_{DD1}	V	
V_{CMov}	Common-Mode Overvoltage Detection Level		$V_{DD1} - 2.4$			V	
V_{OS}	Input Offset Voltage	$V_{DD1} = 5\text{ V}$, $V_{DD2} = 3.3\text{ V}$, $V_{INP} = V_{INN} = \text{GND1}$, $T_A = 25^\circ\text{C}$	WSOP8 Package	-200	±50	200	μV
			SMP8 Package	-500	±100	500	μV
TCV_{OS}	Input Offset Drift ⁽¹⁾	$V_{DD1} = 5\text{ V}$, $V_{DD2} = 3.3\text{ V}$, $V_{INP} = V_{INN} = \text{GND1}$, $T_A = 25^\circ\text{C}$	-3	±1	3	μV/°C	
CMRR	Common-Mode Rejection Ratio	$f_{IN} = 0\text{ Hz}$, $V_{CM\ min} \leq V_{CM} \leq V_{CM\ max}$		-110		dB	
		$f_{IN} = 10\text{ kHz}$, $V_{CM\ min} \leq V_{CM} \leq V_{CM\ max}$		-100			
C_{IND}	Differential Input Capacitance			1		pF	
R_{IN}	Single-Ended Input Resistance	$V_{INN} = \text{GND1}$		19		kΩ	
R_{IND}	Differential Input Resistance			19		kΩ	
I_{IB}	Input Bias Current	$V_{INP} = V_{INN} = \text{GND1}$, $I_{IB} = (I_{IBP} + I_{IBN}) / 2$	-21	-17		μA	
I_{IO}	Input Offset Current	$V_{INP} = V_{INN} = \text{GND1}$, $I_{IO} = I_{IBP} - I_{IBN}$	-0.5	0.1	0.5	μA	
TC_{IB}	Input Bias Current Drift			2		nA/°C	
BW_{IN}	Input Bandwidth			1.2		MHz	
Analog Output							
	Nominal Gain	TPA8001		8.2			
		TPA8000		8			
E_G	Gain Error	$V_{DD1} = 5\text{ V}$, $V_{DD2} = 3.3\text{ V}$, $T_A = 25^\circ\text{C}$	WSOP8 Package	-0.3	±0.05	0.3	%
			SMP8 Package	-1	±0.2	1	%
TCE_G	Gain Error Drift ⁽¹⁾		-50	±15	50	ppm/°C	

Symbol	Parameter	Conditions	Min	Typ	Max	Unit
	Nonlinearity ⁽¹⁾		-0.02	±0.01	0.02	%
	Nonlinearity Drift			1		ppm/°C
THD	Total Harmonic Distortion	f _{IN} = 10 kHz		-82		dB
	Output Voltage Noise	V _{INP} = V _{INN} = GND1, f _{IN} = 0 Hz, BW = 100 kHz		280		μV _{RMS}
SNR	Signal-to-Noise Ratio	f _{IN} = 1 kHz, BW = 10 kHz		80		dB
		f _{IN} = 10 kHz, BW = 100 kHz		62		dB
PSRR	Power-Supply Rejection Ratio	vs. VDD1, at DC		-90		dB
		vs. VDD1, 100-mV and 10-kHz ripple		-80		dB
		vs. VDD2, at DC		-95		dB
		vs. VDD2, 100-mV and 10-kHz ripple		-85		dB
CMTI	Common-Mode Transient Immunity	GND1 – GND2 = 1 kV		100		kV/μs
V _{CMout}	Common-Mode Output Voltage		1.35	1.42	1.49	V
	Output Short-Circuit Current			±15		mA
R _{OUT}	Output Resistance	On V _{OUTP} or V _{OUTN}		< 0.2		Ω
BW	Output Bandwidth			300		kHz
V _{CLIPout}	Clipping Differential Output Voltage	V _{OUT} = (V _{OUTP} – V _{OUTN}); V _{IN} = V _{INP} – V _{INN} > V _{Clipping}		±2.5		V
V _{FAILSAFE}	Failsafe Differential Output Voltage	V _{CM} ≥ V _{CMov} , or VDD1 missing		-2.56	-2.54	V
Power Supply						
VDD1 _{UV}	Undervoltage Detection Threshold Voltage of VDD1	VDD1 falling		2.1	2.4	V
I _{DD1}	High-Side Supply Current	VDD1 = 5.5 V		15	18	mA
		VDD1 = 3.0 V		11	13	mA
I _{DD2}	Low-Side Supply Current	VDD1 = 5.5 V		9	11	mA
		VDD1 = 3.0 V		8	10	mA
Switching Characteristics ⁽¹⁾						
t _r	Rise Time (20% – 80%)			1		μs
t _f	Fall Time (80% – 20%)			1		μs
	V _{IN} to V _{OUT} Signal Delay (50% – 10%) ⁽¹⁾			0.8	1.4	μs
	V _{IN} to V _{OUT} Signal Delay (50% – 50%) ⁽¹⁾			1.5	2.0	μs
	V _{IN} to V _{OUT} Signal Delay (50% – 90%) ⁽¹⁾			2.1	2.7	μs

(1) Provided by bench tests and design simulation.

Electrical Characteristics—TPA8002

All test conditions: minimum and maximum specifications are at $T_A = -40^\circ\text{C}$ to $+125^\circ\text{C}$, $V_{DD1} = 3.0\text{ V}$ to 5.5 V , $V_{DD2} = 3.0\text{ V}$ to 5.5 V , $V_{INP} = -50\text{ mV}$ to $+50\text{ mV}$, and $V_{INN} = 0\text{ V}$; typical specifications are at $T_A = 25^\circ\text{C}$, $V_{DD1} = 5\text{ V}$, and $V_{DD2} = 3.3\text{ V}$, unless otherwise noted.

Symbol	Parameter	Conditions	Min	Typ	Max	Unit
Analog Input						
$V_{Clipping}$	Differential Input Voltage before Clipping Output	$V_{INP} - V_{INN}$		±64		mV
V_{FSR}	Specified Linear Differential Full-Scale	$V_{INP} - V_{INN}$	-50		50	mV
V_{CM}	Specified Common-Mode Input Voltage	$(V_{INP} + V_{INN}) / 2$ to GND1	-0.032		$V_{DD1} - 2.5$	V
	Absolute Common-Mode Input Voltage ⁽¹⁾	$(V_{INN} + V_{INP}) / 2$ to GND1	-2		V_{DD1}	V
V_{CMov}	Common-Mode Overvoltage Detection Level		$V_{DD1} - 2.4$			V
V_{OS}	Input Offset Voltage	$V_{DD1} = 5\text{ V}$, $V_{DD2} = 3.3\text{ V}$, $V_{INP} = V_{INN} = \text{GND1}$, $T_A = 25^\circ\text{C}$	-100	±50	100	μV
TCV_{OS}	Input Offset Drift ⁽¹⁾	$V_{DD1} = 5\text{ V}$, $V_{DD2} = 3.3\text{ V}$, $V_{INP} = V_{INN} = \text{GND1}$, $T_A = 25^\circ\text{C}$	-0.8	±0.2	0.8	μV/°C
CMRR	Common-Mode Rejection Ratio	$f_{IN} = 0\text{ Hz}$, $V_{CM\ min} \leq V_{CM} \leq V_{CM\ max}$		-110		dB
		$f_{IN} = 10\text{ kHz}$, $V_{CM\ min} \leq V_{CM} \leq V_{CM\ max}$		-100		
C_{IND}	Differential Input Capacitance			1		pF
R_{IN}	Single-Ended Input Resistance	$V_{INN} = \text{GND1}$		4.75		kΩ
R_{IND}	Differential Input Resistance			4.9		kΩ
I_{IB}	Input Bias Current	$V_{INP} = V_{INN} = \text{GND1}$, $I_{IB} = (I_{IBP} + I_{IBN}) / 2$	-30	-20		μA
I_{IO}	Input Offset Current	$V_{INP} = V_{INN} = \text{GND1}$, $I_{IO} = I_{IBP} - I_{IBN}$	-0.5	0.1	0.5	μA
TCI_{IB}	Input Bias Current Drift			2		nA/°C
BW_{IN}	Input Bandwidth			1.2		MHz
Analog Output						
	Nominal Gain	TPA8002		41		
E_G	Gain Error	$V_{DD1} = 5\text{ V}$, at $T_A = 25^\circ\text{C}$	-0.3	±0.05	0.3	%
TCE_G	Gain Error Drift ⁽¹⁾		-60	±15	60	ppm/°C
	Nonlinearity ⁽¹⁾		-0.02	±0.01	0.02	%
	Nonlinearity Drift			1		ppm/°C

Symbol	Parameter	Conditions	Min	Typ	Max	Unit
THD	Total Harmonic Distortion	$f_{IN} = 10 \text{ kHz}$		-81		dB
	Output Voltage Noise	$V_{INP} = V_{INN} = \text{GND1}$, $f_{IN} = 0 \text{ Hz}$, $\text{BW} = 100 \text{ kHz}$		300		μV_{RMS}
SNR	Signal-to-Noise Ratio	$f_{IN} = 1 \text{ kHz}$, $\text{BW} = 10 \text{ kHz}$		80		dB
		$f_{IN} = 10 \text{ kHz}$, $\text{BW} = 100 \text{ kHz}$		73		dB
PSRR	Power-Supply Rejection Ratio	vs. VDD1, at DC		-98		dB
		vs. VDD1, 100-mV and 10-kHz ripple		-81		dB
		vs. VDD2, at DC		-110		dB
		vs. VDD2, 100-mV and 10-kHz ripple		-92		dB
CMTI	Common-Mode Transient Immunity	$ \text{GND1} - \text{GND2} = 1 \text{ kV}$		100		$\text{kV}/\mu\text{s}$
V_{CMout}	Common-Mode Output Voltage		1.35	1.42	1.49	V
	Output Short-Circuit Current			±15		mA
R_{OUT}	Output Resistance	On VOUTP or VOUTN		< 0.2		Ω
BW	Output Bandwidth			300		kHz
V_{CLIPout}	Clipping Differential Output Voltage	$V_{\text{OUT}} = (V_{\text{OUTP}} - V_{\text{OUTN}})$; $ V_{\text{IN}} = V_{\text{INP}} - V_{\text{INN}} > V_{\text{Clipping}} $		±2.5		V
V_{FAILSAFE}	Failsafe Differential Output Voltage	$V_{\text{CM}} \geq V_{\text{CMov}}$, or VDD1 missing		-2.56	-2.54	V
Power Supply						
V_{DD1UV}	Undervoltage Detection Threshold Voltage of VDD1	VDD1 falling		2.1	2.4	V
I_{DD1}	High-Side Supply Current	VDD1 = 5.5 V		14	18	mA
		VDD1 = 3 V		9	13	mA
I_{DD2}	Low-Side Supply Current	VDD2 = 5.5 V		9	11	mA
		VDD2 = 3 V		8	10	mA
Switching Characteristics						
t_r	Rise Time (20% – 80%)			1		μs
t_f	Fall Time (80% – 20%)			1		μs
	V_{IN} to V_{OUT} Signal Delay (50% – 10%)			0.8		μs
	V_{IN} to V_{OUT} Signal Delay (50% – 50%)			1.5		μs
	V_{IN} to V_{OUT} Signal Delay (50% – 90%)			2.1		μs

(1) Provided by bench tests and design simulation.

Typical Performance Characteristics—TPA8000/TPA8001

All test conditions: VDD1 = 5 V, VDD2 = 3.3 V, VINP = -250 mV to 250 mV, VINN = 0 V, unless otherwise noted.

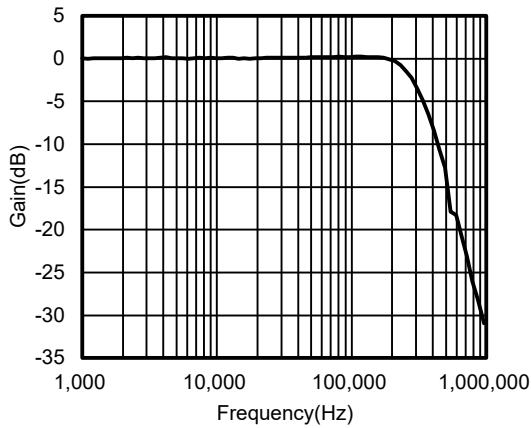


Figure 1. Normalized Gain vs. Input Frequency

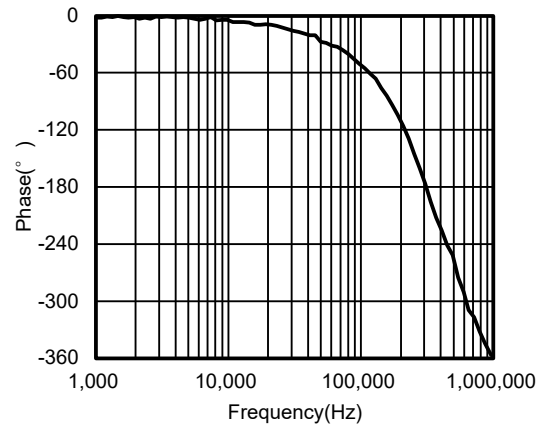


Figure 2. Phase vs. Input Frequency

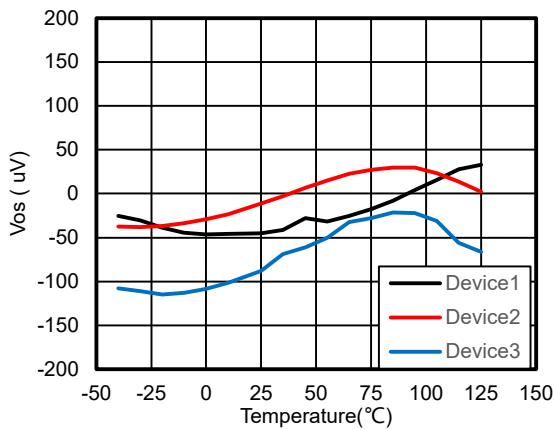


Figure 3. Vos vs. Temperature

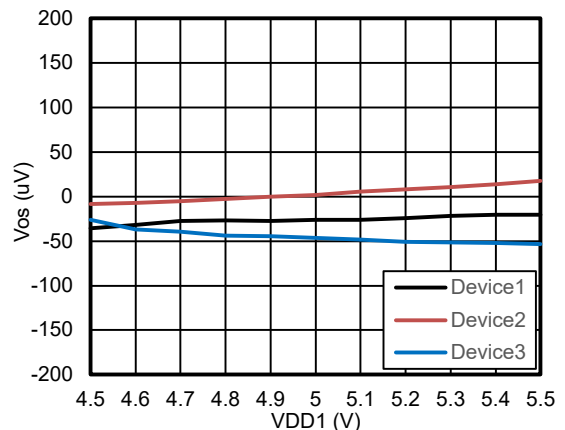


Figure 4. Vos vs. VDD1

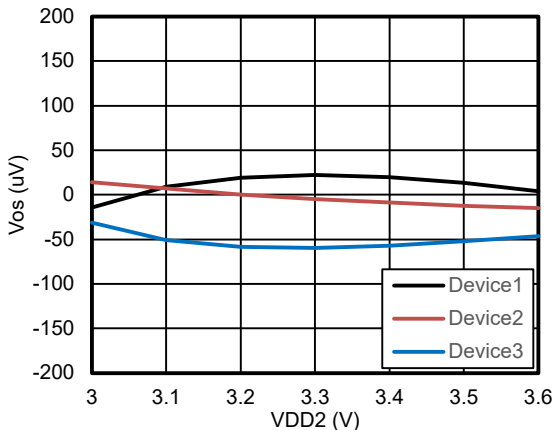


Figure 5. Vos vs. VDD2

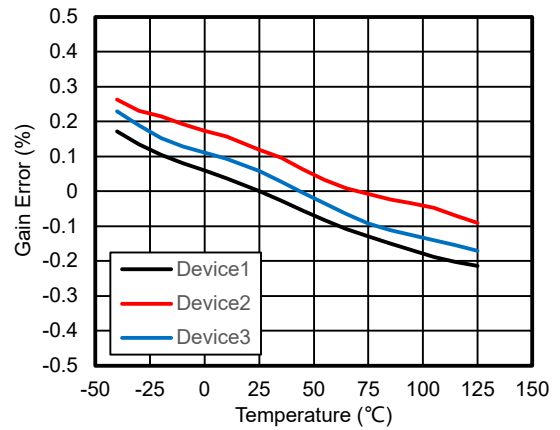


Figure 6. Gain Error vs. Temperature

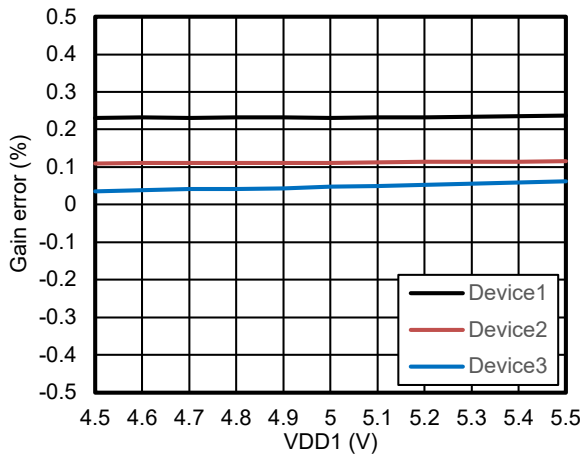


Figure 7. Gain Error vs. VDD1

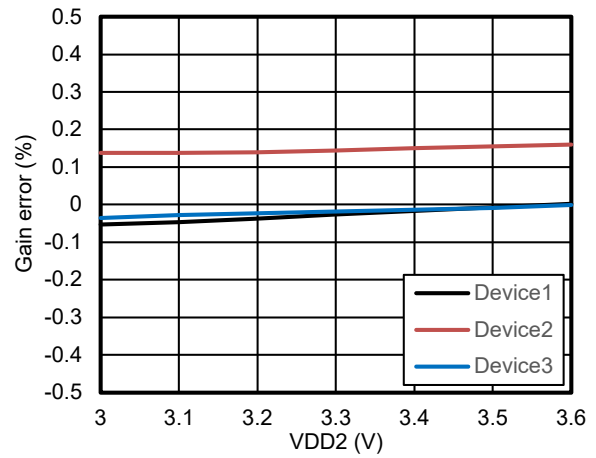


Figure 8. Gain Error vs. VDD2

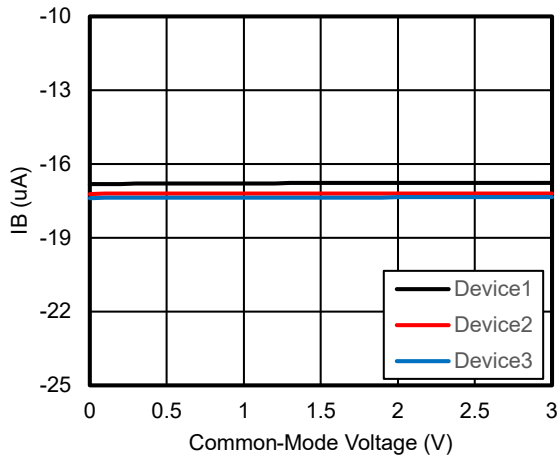


Figure 9. I_B vs. Common-Mode Voltage

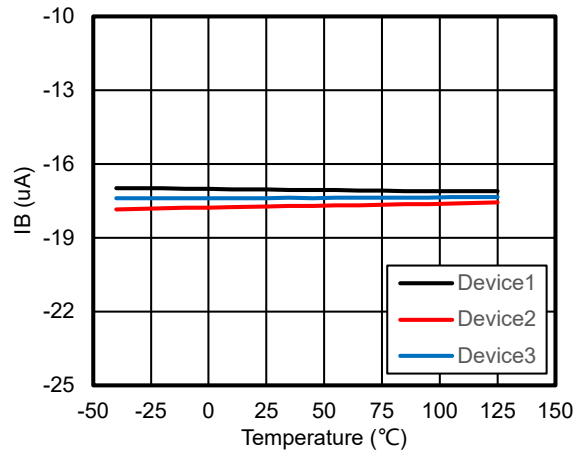


Figure 10. I_B vs. Temperature

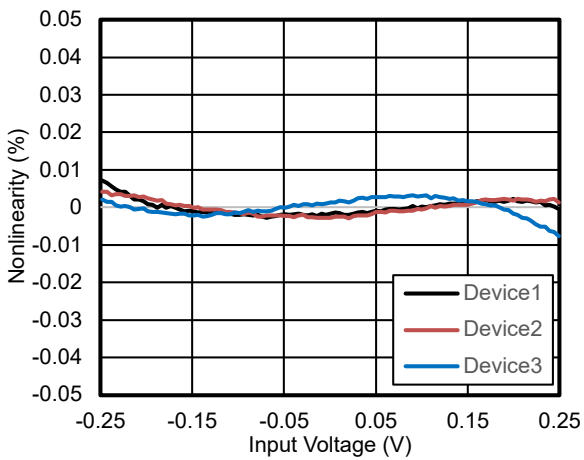


Figure 11. Nonlinearity vs. Input Voltage

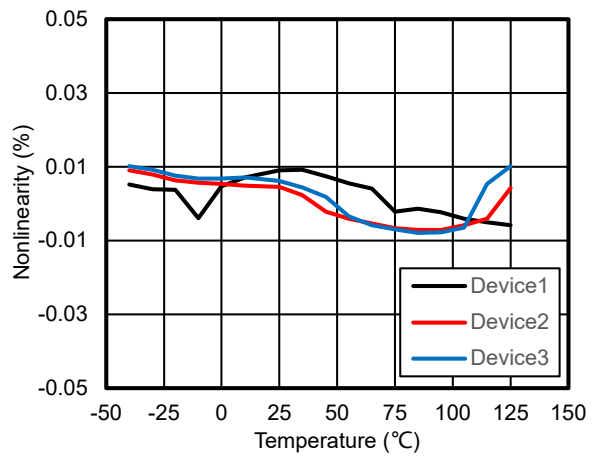


Figure 12. Nonlinearity vs. Temperature

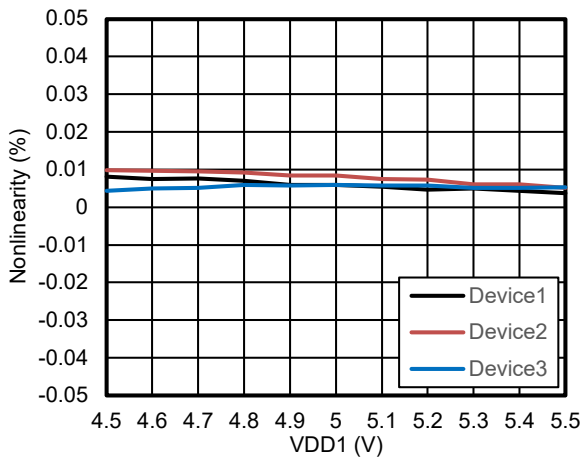


Figure 13. Nonlinearity vs. VDD1

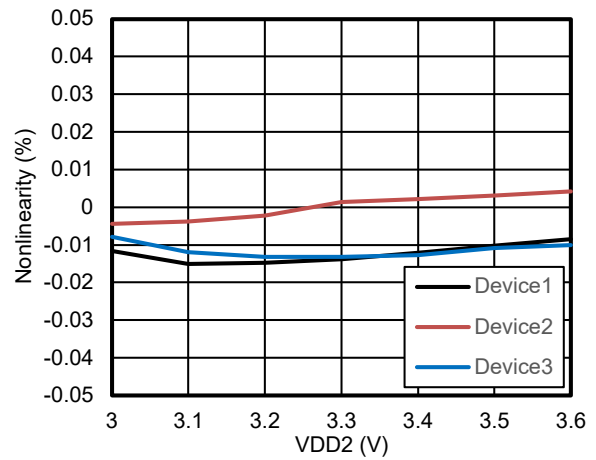


Figure 14. Nonlinearity vs. VDD2

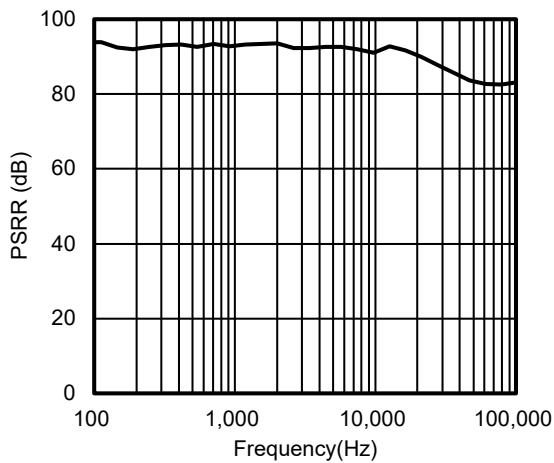


Figure 15. VDD1 PSRR vs. Frequency

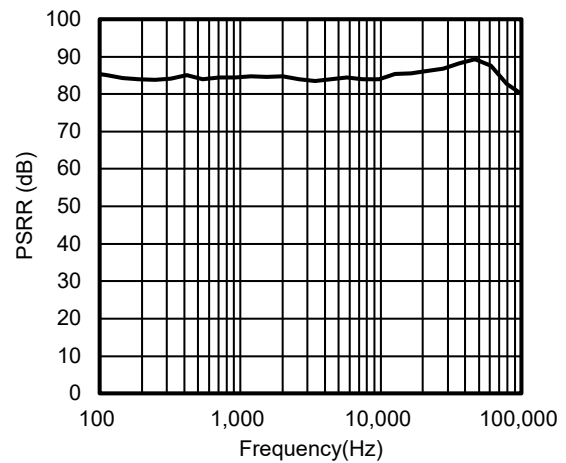


Figure 16. VDD2 PSRR vs. Frequency

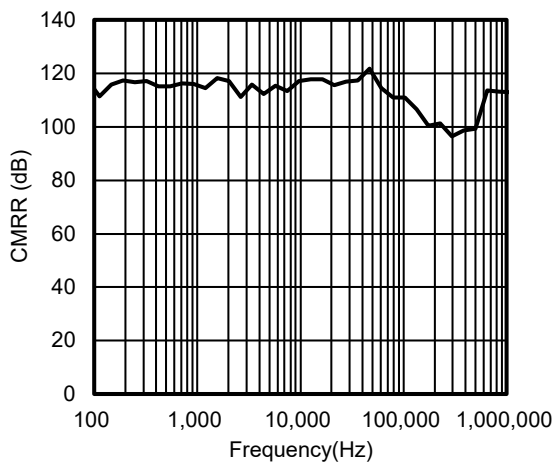


Figure 17. CMRR vs. Frequency

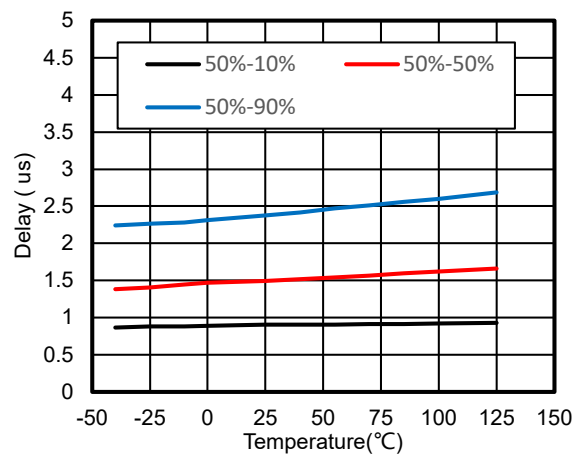


Figure 18. Delay vs. Temperature

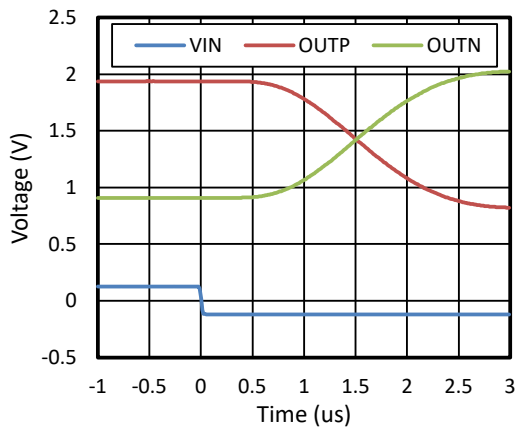


Figure 19. Delay at Negative Edge

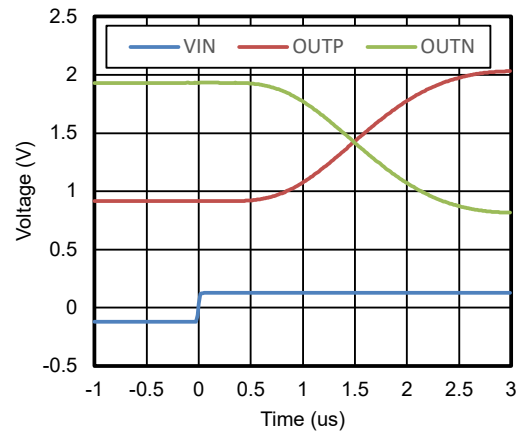


Figure 20. Delay at Positive Edge

Detailed Description

Overview

The devices are fully differential, high-precision, and isolated amplifiers. The input stage of the devices consists of a fully differential amplifier that drives a delta-sigma ($\Delta\Sigma$) modulator. The modulator utilizes an internal voltage reference source and a clock generator to convert the analog input signal into a digital bit stream. A driver (referred to as TX in the [Functional Block Diagram](#)) transmits the output of the modulator to the isolation barrier which isolates the high-side and low-side voltage domains. The received bitstream and clock are synchronized and processed by an analog filter on the low side and presented as a differential output of the devices.

Based on the SiO₂-based and double-capacitive isolation barrier, the digital modulation and isolation barrier characteristics provide high reliability and common-mode transient immunity for the devices.

Functional Block Diagram

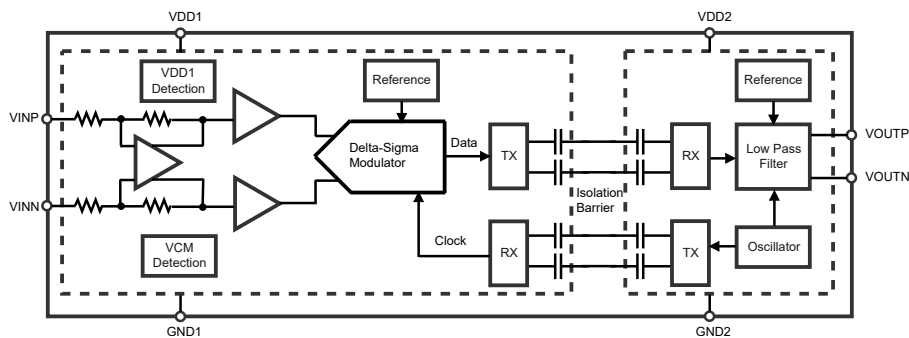


Figure 21. Functional Block Diagram

Feature Description

Fail-Safe Output

The devices provide fail-safe outputs that simplify diagnostics on a system level. The fail-safe output is active in two cases:

- When the VDD1 is missing, or the voltage at VDD1 is lower than VDD1_{UV} (the undervoltage detection threshold voltage of VDD1).
- When the common-mode input voltage, that is $V_{CM} = (V_{INP} + V_{INN}) / 2$, exceeds the V_{CMov} (the minimum common-mode overvoltage detection level).

A negative differential output voltage exists when the fail-safe output is active. Use the V_{FAILSAFE} voltage specified in the [Electrical Characteristics—TPA8000/TPA8001](#) as a reference value for system diagnostics.

Application and Implementation

Note

Information in the following application sections is not part of the 3PEAK's component specification and 3PEAK does not warrant its accuracy or completeness. 3PEAK's customers are responsible for determining suitability of components for their purposes. Customers should validate and test their design implementation to confirm system functionality.

Typical Application

Figure 22 shows the typical application schematic.

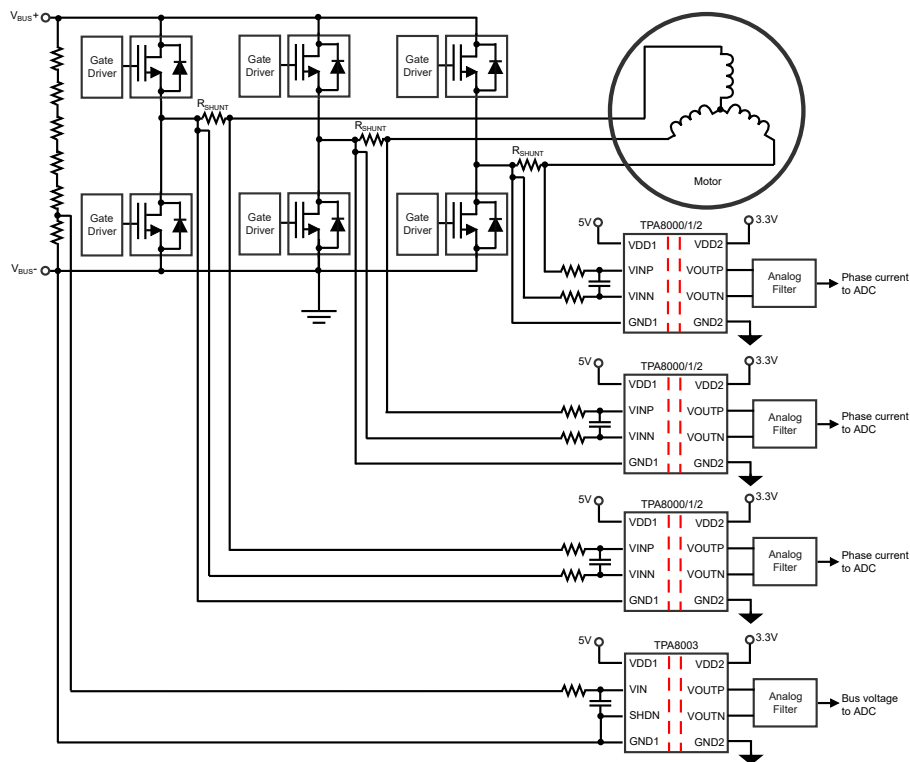


Figure 22. Typical Application Circuit

Motor Drive Application

Isolated amplifiers are widely used in frequency inverters, which are critical parts of industrial motor drives, photovoltaic inverters, power supplies, and other industrial applications.

The TPA8000/TPA8001/TPA8002 are optimized for current sensing applications with shunt resistors. Figure 22 shows a typical operation of the TPA8000/TPA8001/TPA8002 for current sensing in a motor drive application. Phase current is measured by the shunt resistors, R_{SHUNT} . The differential input and the high common-mode transient immunity of the TPA8000/1/2 ensure reliable and accurate operation in high-noise environments.

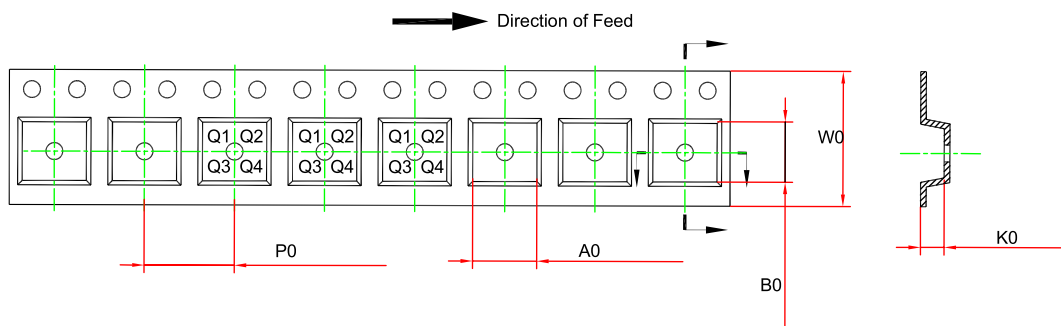
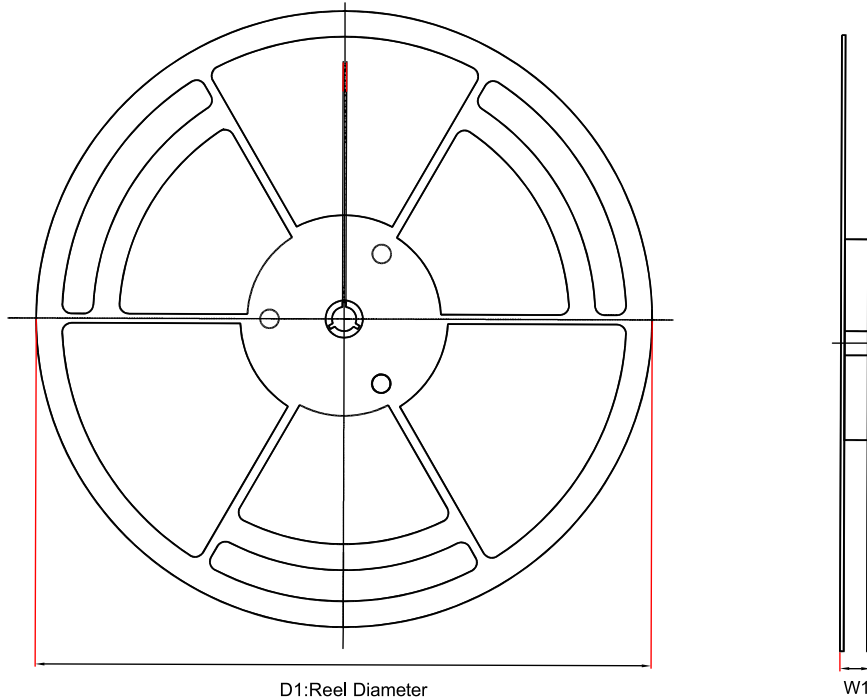
The DC bus voltage is measured by the TPA8003 with a high-impedance input and a wide input voltage range.

Power Supply Recommendation

In a typical frequency inverter application, the high-side power supply (VDD1) of the devices is derived from the floating power supply of the upper gate driver. A Zener diode with a shunt resistor can be used to provide high-side power supply of the devices, or a low-cost low-dropout regulator (LDO) may be used to reduce the noise on the power supply. Place a 0.1- μF bypass capacitors as close as possible to the VDD1 pin of the devices for best performance, and an additional 1- μF to 10- μF capacitor can be used for better filtering.

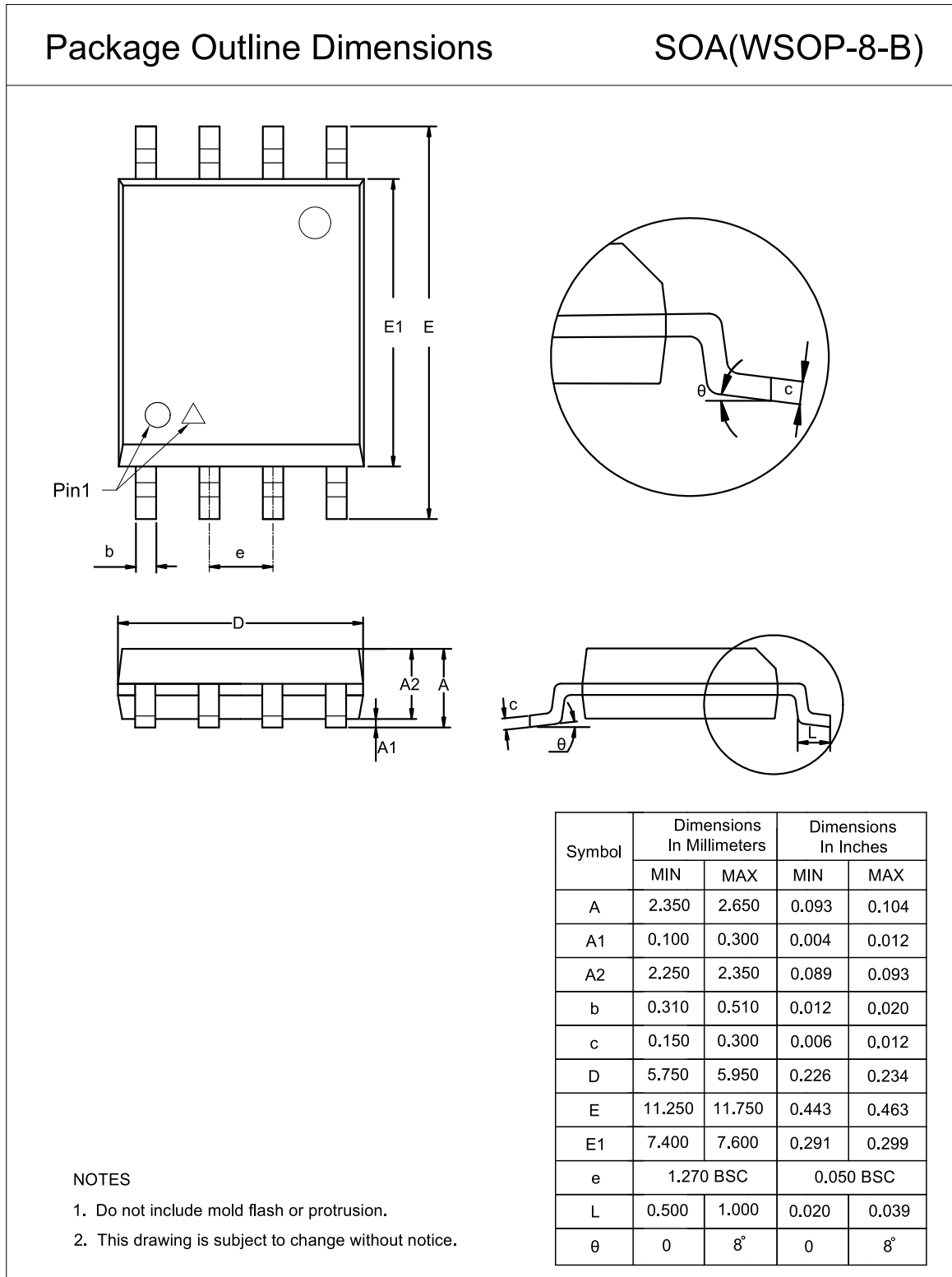
To decouple the low-side power supply, place a 0.1- μF capacitor to the VDD2 pin of the devices as close as possible, and an additional 1- μF to 10- μF capacitor can be used for better filtering.

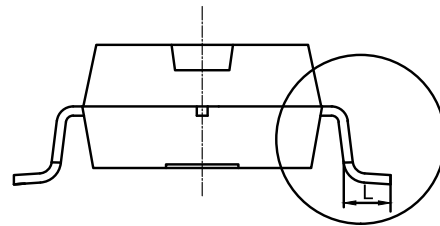
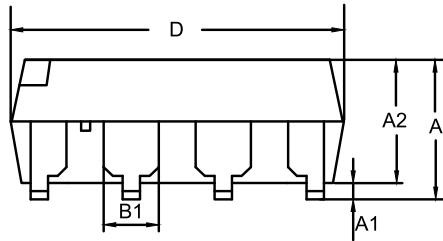
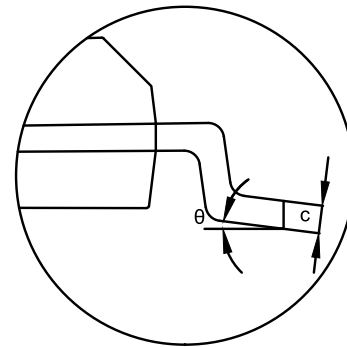
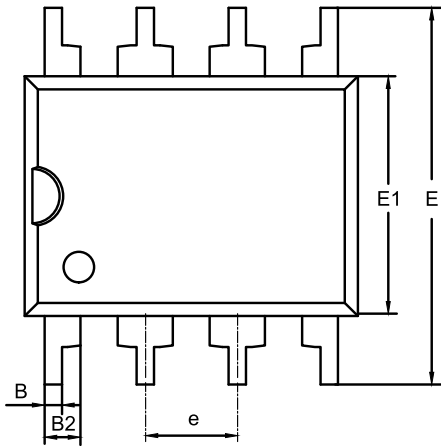
Tape and Reel Information



Order Number	Package	D1 (mm)	W1 (mm)	A0 (mm) ⁽¹⁾	B0 (mm) ⁽¹⁾	K0 (mm) ⁽¹⁾	P0 (mm)	W0 (mm)	Pin1 Quadrant
TPA8000-SM1R	SMP8	330	29.0	10.90	9.6	4.3	16.0	24.0	Q1
TPA8000-SOAR	WSOP8	330	21.6	11.95	6.2	3.1	16.0	16.0	Q1
TPA8000-SOAR-S	WSOP8	330	21.6	11.95	6.2	3.1	16.0	16.0	Q1
TPA8001-SOAR	WSOP8	330	21.6	11.95	6.2	3.1	16.0	16.0	Q1
TPA8001-SOAR-S	WSOP8	330	21.6	11.95	6.2	3.1	16.0	16.0	Q1
TPA8002-SOAR	WSOP8	330	21.6	11.95	6.2	3.1	16.0	16.0	Q1
TPA8002-SOAR-S	WSOP8	330	21.6	11.95	6.2	3.1	16.0	16.0	Q1

(1) The value is for reference only. Contact the 3PEAK factory for more information.

Package Outline Dimensions
WSOP8


SMP8
Package Outline Dimensions
SM1(SMP-8-A)


Symbol	Dimensions In Millimeters		Dimensions In Inches	
	MIN	MAX	MIN	MAX
A	3.674	4.026	0.145	0.159
A1	0.350	0.550	0.014	0.022
A2	3.324	3.476	0.131	0.137
B1	1.464	1.584	0.058	0.062
B2	0.930	1.050	0.037	0.041
B	0.420	0.540	0.017	0.021
c	0.204	0.304	0.008	0.012
D	9.100	9.300	0.358	0.366
E	10.100	10.700	0.398	0.421
E1	6.370	6.870	0.251	0.270
e	2.540 BSC		0.100 BSC	
L	1.150	1.450	0.045	0.057
θ	0	8°	0	8°

NOTES

1. Do not include mold flash or protrusion.
2. This drawing is subject to change without notice.

Order Information

Order Number	Operating Temperature Range	Package	Marking Information	MSL	Transport Media, Quantity	Eco Plan
TPA8000-SM1R	-40 to 125°C	SMP8	A8000	3	Tape and Reel, 800	Green
TPA8000-SOAR	-40 to 125°C	WSOP8	A8000	3	Tape and Reel, 1000	Green
TPA8000-SOAR-S ^{(1) (2)}	-40 to 125°C	WSOP8	A8000	3	Tape and Reel, 1000	Green
TPA8001-SOAR	-40 to 125°C	WSOP8	A8001	3	Tape and Reel, 1000	Green
TPA8001-SOAR-S ⁽¹⁾	-40 to 125°C	WSOP8	A8001	3	Tape and Reel, 1000	Green
TPA8002-SOAR	-40 to 125°C	WSOP8	A8002	3	Tape and Reel, 1000	Green
TPA8002-SOAR-S ^{(1) (2)}	-40 to 125°C	WSOP8	A8002	3	Tape and Reel, 1000	Green

(1) Passed AEC-Q100 Reliability Test.

(2) For future products, contact the 3PEAK factory for more information and samples.

Green: Defines "Green" to mean RoHS compatible and free of halogen substances.

IMPORTANT NOTICE AND DISCLAIMER

Copyright© 3PEAK 2012-2026. All rights reserved.

Trademarks. Any of the 思瑞浦 or 3PEAK trade names, trademarks, graphic marks, and domain names contained in this document /material are the property of 3PEAK. You may NOT reproduce, modify, publish, transmit or distribute any Trademark without the prior written consent of 3PEAK.

Performance Information. Performance tests or performance range contained in this document/material are either results of design simulation or actual tests conducted under designated testing environment. Any variation in testing environment or simulation environment, including but not limited to testing method, testing process or testing temperature, may affect actual performance of the product.

Disclaimer. 3PEAK provides technical and reliability data (including data sheets), design resources (including reference designs), application or other design recommendations, networking tools, security information and other resources "As Is". 3PEAK makes no warranty as to the absence of defects, and makes no warranties of any kind, express or implied, including without limitation, implied warranties as to merchantability, fitness for a particular purpose or non-infringement of any third-party's intellectual property rights. Unless otherwise specified in writing, products supplied by 3PEAK are not designed to be used in any life-threatening scenarios, including critical medical applications, automotive safety-critical systems, aviation, aerospace, or any situations where failure could result in bodily harm, loss of life, or significant property damage. 3PEAK disclaims all liability for any such unauthorized use.

This page intentionally left blank