

LQG15HN2N7S02#

“#” indicates a package specification code.

Size Code 1005 (0402) in mm (in inch), Multilayer Type



< List of part numbers with package codes >

LQG15HN2N7S02B LQG15HN2N7S02D LQG15HN2N7S02J

Applications

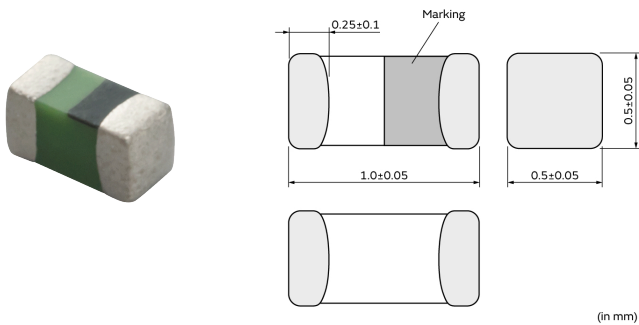
| | |
|-------------------------|---|
| Unsuitable Applications | Please be sure to read and comply with these "Precautions for use." |
| Specific Applications | Consumer equipment, Medical equipment [GHTF A/B/C] except for implant, operation, and auto-dispenser equipment, Industrial equipment except for transportation, facility and energy equipment Please refer to Our Website and specifications, etc. for information about the performance, functions, quality, management, and safety required for the above applications, and use Products after confirming the performance and reliability of the actual Product. |

References

| Packaging | Specifications | Standard Packing Quantity |
|-----------|------------------|---------------------------|
| B | Bulk(Bag) | 1000 |
| D | 180mm Paper Tape | 10000 |
| J | 330mm Paper Tape | 50000 |

| Mass (typ.) | |
|-------------|--------|
| 1 piece | 0.001g |

Appearance & Shape



(in mm)

Attention

- 1.This datasheet is downloaded from the website of Murata Manufacturing Co., Ltd. Therefore, it's specifications are subject to change or our products in it may be discontinued without advance notice. Please check with our sales representatives or product engineers before ordering.
- 2.This datasheet has only typical specifications because there is no space for detailed specifications.
Therefore, please review our product specifications or consult the approval sheet for product specifications before ordering.

LQG15HN2N7S02#

“#” indicates a package specification code.



Specifications

| | |
|--|----------------|
| L size | 1.0±0.05mm |
| W size | 0.5±0.05mm |
| T size | 0.5±0.05mm |
| Size code inch (mm) | 0402 (1005) |
| Inductance | 2.7nH±0.3nH |
| Inductance Test Frequency | 100MHz |
| Rated current (Itemp) (Based on Temperature rise) | 800mA |
| Max. of DC resistance | 0.1Ω |
| Q(min.) | 8 |
| Q Test Frequency | 100MHz |
| Self resonance frequency (min.) | 6000MHz |
| Operating Temperature Range(Self-temperature rise is not included) | -55°C to 125°C |
| Brand | Murata |
| Series | LQG15HN_02 |

Attention

1.This datasheet is downloaded from the website of Murata Manufacturing Co., Ltd. Therefore, it's specifications are subject to change or our products in it may be discontinued without advance notice. Please check with our sales representatives or product engineers before ordering.

2.This datasheet has only typical specifications because there is no space for detailed specifications.

Therefore, please review our product specifications or consult the approval sheet for product specifications before ordering.

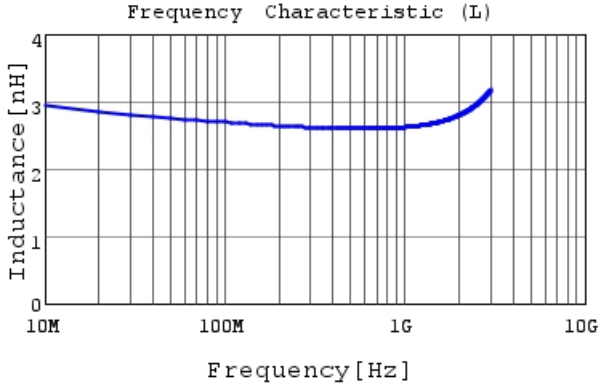
LQG15HN2N7S02#

"#" indicates a package specification code.

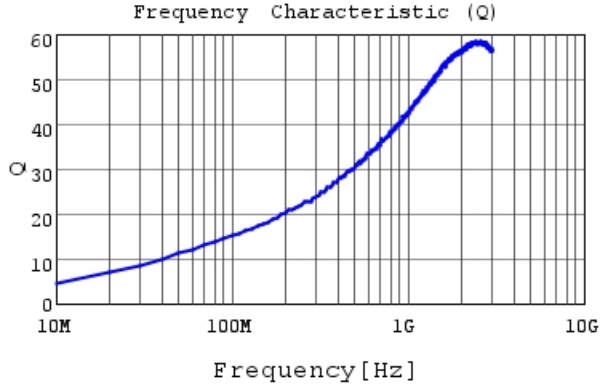


Characteristic Data

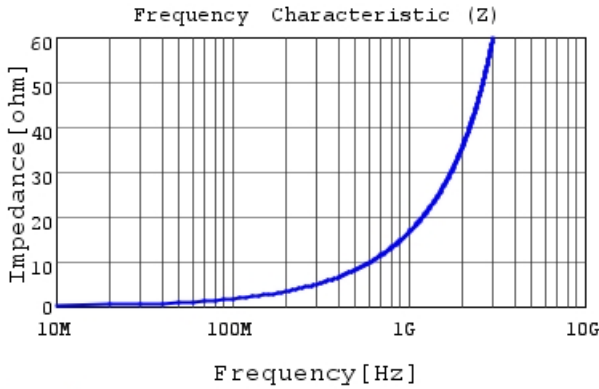
The charts below may show another part number which shares its characteristics.



LQG15HN2N7S02 L



LQG15HN2N7S02 Q



LQG15HN2N7S02 |Z|

Attention

- 1.This datasheet is downloaded from the website of Murata Manufacturing Co., Ltd. Therefore, it's specifications are subject to change or our products in it may be discontinued without advance notice. Please check with our sales representatives or product engineers before ordering.
- 2.This datasheet has only typical specifications because there is no space for detailed specifications. Therefore, please review our product specifications or consult the approval sheet for product specifications before ordering.